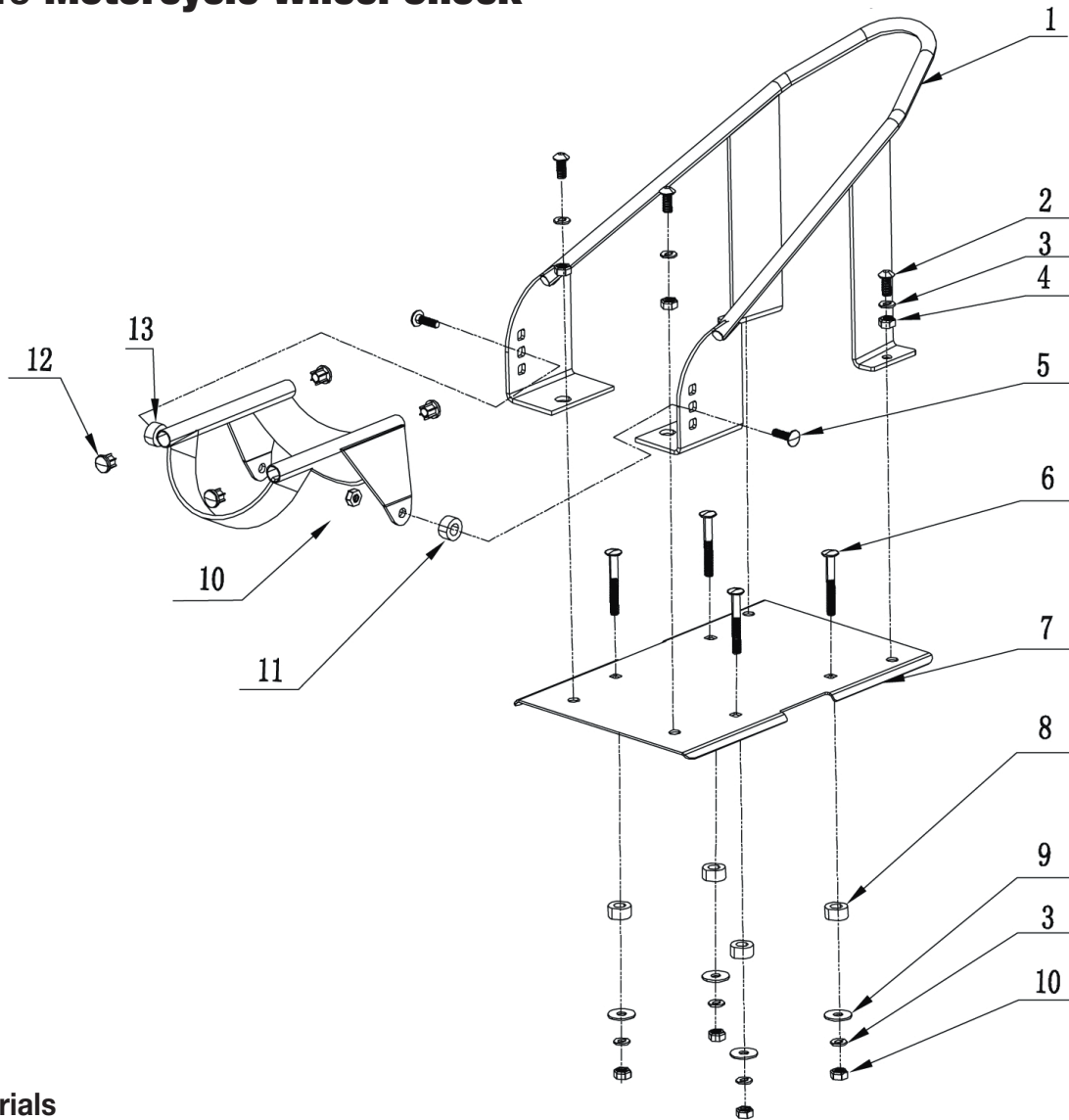


# Installation Instructions

## WC151013 Motorcycle Wheel Chock



### Bill of Materials

ITEM	QTY.	DESCRIPTION
1	1	Main Frame
2	4	Hex Bolt M 10x20
3	8	Spring Washer
4	4	Flat Washer
5	2	Pivot Bolt M 10x30
6	4	Bolt M10x70
7	1	Base
8	4	Nylon Sleeve
9	4	Large Washer
10	6	Hex Nut M10
11	2	Nylon Washer
12	4	Rubber Cap
13	1	Pivoting Bracket

### WARRANTY

Buyers Products Co. warrants all truck/trailer hardware manufactured or distributed by it, to be free from defects in material and workmanship for a period of one year from date of shipment. Parts must be properly installed and used under normal conditions. Any product which has been altered, including modification, misuse, accident or lack of maintenance will not be considered under warranty. Normal wear is excluded. The sole responsibility of Buyers Products Co. under this warranty is limited to repairing or replacing any part or parts which are returned, prepaid, and are found to be defective by Buyers Products Co. Authorization from Buyers Products Co. must be obtained before returning any part. No charges for transportation or labor performed on Buyers' products will be allowed under this warranty.