

CLASS 3 TRAILER HITCH

R3-0862

Enclave/ Traverse/ Acadia/ Outlook

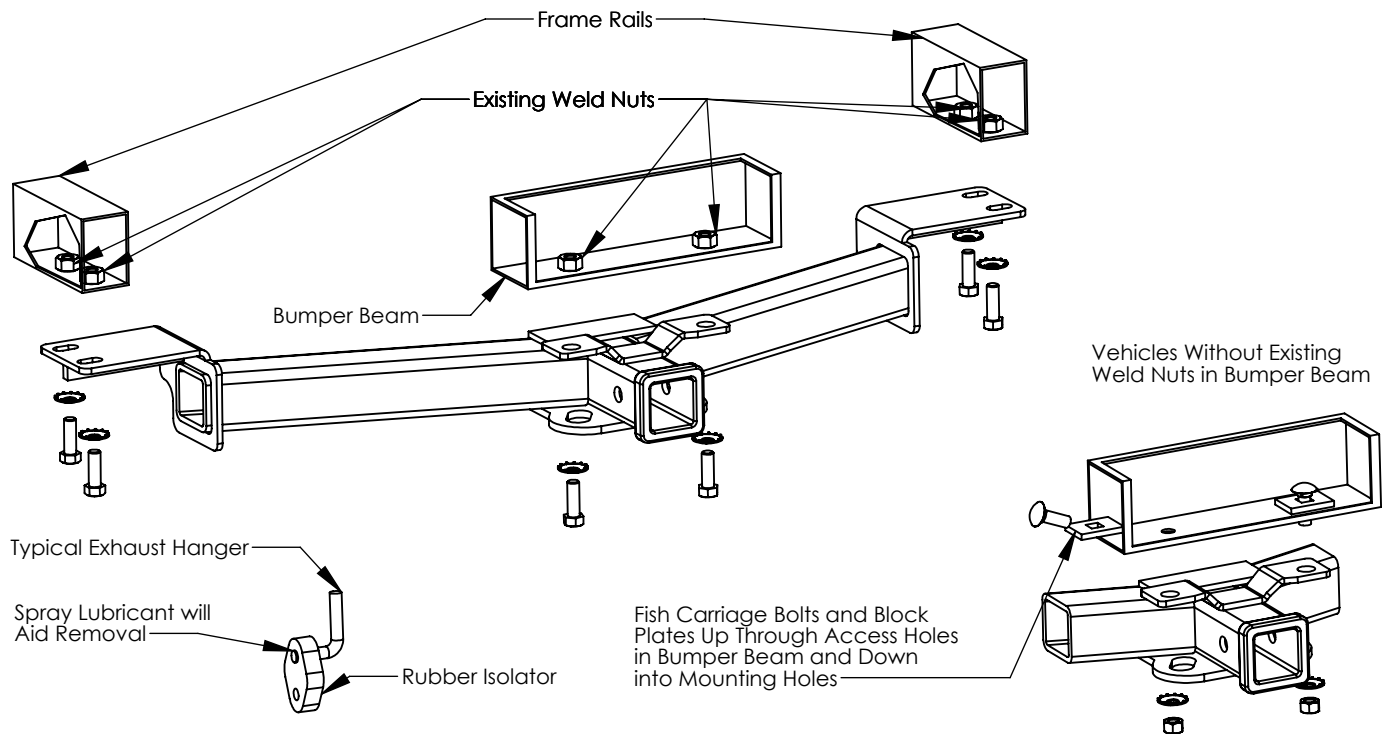
TOOLS REQUIRED: Ratchet, Touque Wrench, Socket Extension

DRILLS: None

WRENCHES/SOCKETS: 19mm, 7/8"

HITCH RATING: 5,000 LBS WEIGHT CARRYING, 500 LBS TONGUE WEIGHT / 5,000 LBS WEIGHT DISTRIBUTING, 500 LBS TONGUE WEIGHT.
WARNING: CONSULT VEHICLE OWNERS MANUAL FOR TOWING RECOMMENDATIONS. DO NOT EXCEED VEHICLE'S RECOMMENDED TOWING CAPACITY. THIS PRODUCT IS DESIGNED FOR TRAILER TOWING ONLY AND SHOULD NOT BE USED FOR ANY OTHER PURPOSE.

NOTE: INSTALL PARTS LOOSELY UNTIL ALL ATTACHMENTS HAVE BEEN MADE TO VEHICLE



1. If present, remove center bumper fascia panel and return to vehicle owner.
2. Lower the exhaust by disconnecting the two rubber isolators on each side.
Note: Support the exhaust to prevent damage to the vehicle.
3. Raise the hitch into position and attach with four M12 hex bolts and conical washers into existing weld nuts in the frame rails (two each side).
4. If weld nuts are present in the bumper beam, attach the hitch with the two M12 hex bolts and conical washers provided. If weld nuts are not present in the bumper beam, use the fish wire to insert the two 1/2-13 carriage bolts and block plates, pulling them through the access holes in the bumper beam and down through the mounting holes. Attach with two 1/2-13 hex nuts and conical washers.
5. Tighten 12mm hex bolts to 68 LB-FT. Tighten 1/2" hex nuts to 60 LB-FT.
6. Raise exhaust back into position and reattach the four rubber isolators

Thank you for purchasing a Rigid Hitch

Hardware Package:

(6) M12-1.75 x 30mm Hex Bolts	(2) 1/4 X 1 X 3" Block Plates
(6) 1/2" Conical Washers	(2) 1/2-13 Heavy Hex Nuts
(2) 1/2-13 x 1-1/4 Carriage Bolts	(1) 1/2" Fish Wire

GIVE THIS INSTRUCTION SHEET TO VEHICLE OWNER

BOLT TIGHTENING TORQUE (LB-FT)			
BOLT SIZE	TORQUE	BOLT SIZE	TORQUE
3/8"	25 LB FT	8MM	20 LB FT
7/16"	50 LB FT	10MM	38 LB FT
1/2"	60 LB FT	12MM	68 LB FT
3/4"	120 LB FT		

THIS PRODUCT COMPLIES WITH SAFETY SPECIFICATIONS AND REQUIREMENTS FOR SAE AND VESC REGULATION V-5 FOR CONNECTING DEVICES AND TOWING SYSTEMS. **DO NOT MODIFY THIS PRODUCT. INSTALL ONLY ON SPECIFIED VEHICLES IN GOOD CONDITION.**

RIGID[®]
HITCH INCORPORATED
 3301 WEST BURNSVILLE PARKWAY
 BURNSVILLE, MN 55337

REV.
8/15