

CLASS 4 TRAILER HITCH

R3-0510

Toyota Highlander

TOOLS REQUIRED:

DRILLS: None

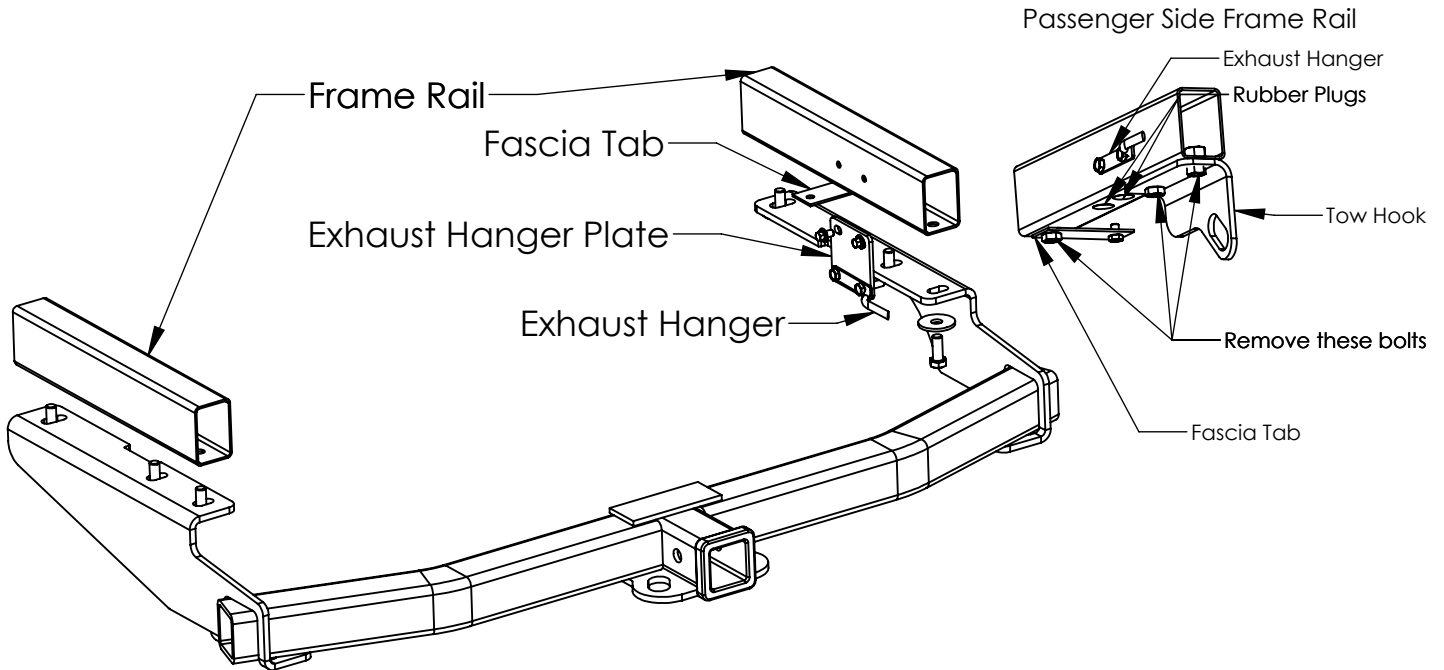
WRENCHES: Torque Wrench, Ratchet, Flat Screw Driver

SOCKETS: 10mm, 13mm, 17mm, 19mm, Socket Extension

HITCH RATING: 6,000 LBS WEIGHT CARRYING, 600 LBS TONGUE WEIGHT / 8,000 LBS WEIGHT DISTRIBUTING, 800 LBS TONGUE WEIGHT.

WARNING: CONSULT VEHICLE OWNERS MANUAL FOR TOWING RECOMMENDATIONS. DO NOT EXCEED VEHICLE'S RECOMMENDED TOWING CAPACITY. THIS PRODUCT IS DESIGNED FOR TRAILER TOWING ONLY AND SHOULD NOT BE USED FOR ANY OTHER PURPOSE.

NOTE: INSTALL PARTS LOOSELY UNTIL ALL ATTACHMENTS HAVE BEEN MADE TO VEHICLE



1. If present, remove the plastic appearance panel(s) that cover the driver's side and/or passenger's side frame rail. Remove the plastic rivets that attach the appearance panel(s) to the fascia tabs by prying the center downward with a small screwdriver. Once hitch is installed the passenger's side panel can be reattached. The driver's side appearance panel should be returned to the vehicle owner along with all fasteners.
2. Remove the tow hook(s) from the bottom of the frame rail(s). Remove the M12 hex bolt that attaches the fascia tab to the bottom of the passenger's side frame rail. Return hook(s) and fasteners to vehicle owner.
3. Remove the plastic and rubber plugs from the bottom side of each frame rail and return to vehicle owner.
4. Remove the exhaust hanger from the inside of the passenger's side frame rail by removing the two M8 hex bolts. Retain these bolts to attach the exhaust hanger plate referenced in Step 6.
5. Raise hitch into position and secure by inserting the M12 hex bolts and conical washers provided into the existing weld nuts in the frame rails. Center the hitch on the vehicle and torque all six fasteners to 68 LB FT. (Note: the fascia tab will be sandwiched between the frame rail and the hitch. See illustration.)
6. Using the hex bolts removed in Step 4, attach the exhaust hanger plate to the passenger's side frame rail. Attach the exhaust hanger to the exhaust hanger plate using the M8 hex bolts, lock washers and hex nuts provided. Torque all four M8 hex bolts to 20 LB FT.
7. If removed, reinstall the passenger side appearance panel.

Thank you for purchasing a Rigid Hitch

Hardware Package:

(6) M12 x 1.25 x 30mm Hex Bolts

(6) 1/2" Conical Washers

(2) M8 x 1.25 x 30mm Hex Bolts

(2) M8 Lock Washers

(2) M8 x 1.25 Hex Nuts

(1) Exhaust Hanger Plate

GIVE THIS INSTRUCTION SHEET TO VEHICLE OWNER



THIS PRODUCT COMPLIES WITH SAFETY SPECIFICATIONS AND REQUIREMENTS FOR SAE AND VESC REGULATION V-5 FOR CONNECTING DEVICES AND TOWING SYSTEMS. DO NOT MODIFY THIS PRODUCT. INSTALL ONLY ON SPECIFIED VEHICLES IN GOOD CONDITION.

RIGID[®]
HITCH INCORPORATED
3301 WEST BURNSVILLE PARKWAY
BURNSVILLE, MN 55337

REV.
9/19