

CLASS III TRAILER HITCH

R3-0481

Ford Bronco

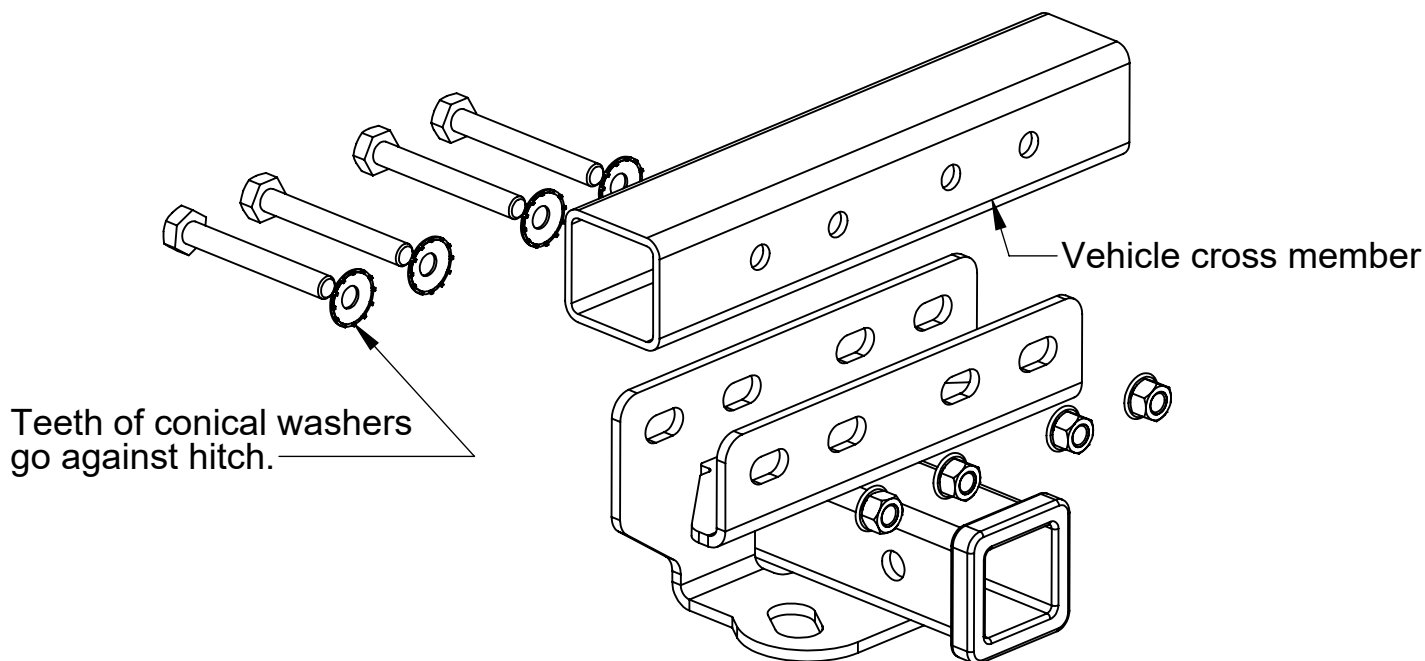
TOOLS REQUIRED: Ratchet, Torque Wrench

DRILLS: None

WRENCHES: 3/4" Socket, 3/4" Wrench

HITCH RATING: 3,500 LBS WEIGHT CARRYING, 350 LBS TONGUE WEIGHT / 4,000 LBS WEIGHT DISTRIBUTING, 400 LBS TONGUE WEIGHT.
WARNING: CONSULT VEHICLE OWNERS MANUAL FOR TOWING RECOMMENDATIONS. DO NOT EXCEED VEHICLE'S RECOMMENDED TOWING CAPACITY. THIS PRODUCT IS DESIGNED FOR TRAILER TOWING ONLY AND SHOULD NOT BE USED FOR ANY OTHER PURPOSE.

NOTE: INSTALL PARTS LOOSELY UNTIL ALL ATTACHMENTS HAVE BEEN MADE TO VEHICLE



1. Raise hitch into position.
2. Insert bolts with conical washers through hitch and vehicle cross member.
3. Center hitch on vehicle and secure with 1/2-13 flange nuts provided.
4. Torque all fasteners to 110 FT-LBS.

Inspect hitch and fasteners frequently for damage and/or loose connections. Damaged components should not be used and should be replaced immediately.

Thank you for purchasing a Rigid Hitch

Hardware Package:

- (4) 1/2-13 x 4" Gr. 8 Hex Bolts
- (4) 1/2" Conical Washers
- (4) 1/2-13 Gr. 8 Flange Nuts

GIVE THIS INSTRUCTION SHEET TO VEHICLE OWNER



THIS PRODUCT COMPLIES WITH SAFETY SPECIFICATIONS AND REQUIREMENTS FOR SAE J684 FOR CONNECTING DEVICES AND TOWING SYSTEMS. **DO NOT MODIFY THIS PRODUCT.** INSTALL ONLY ON SPECIFIED VEHICLES IN GOOD CONDITION.

**RIGID
HITCH**

3301 WEST BURNSVILLE PARKWAY
BURNSVILLE, MN 55337

REV.
6/22