

CLASS 3 TRAILER HITCH

R3-0397

Subaru Outback/Legacy

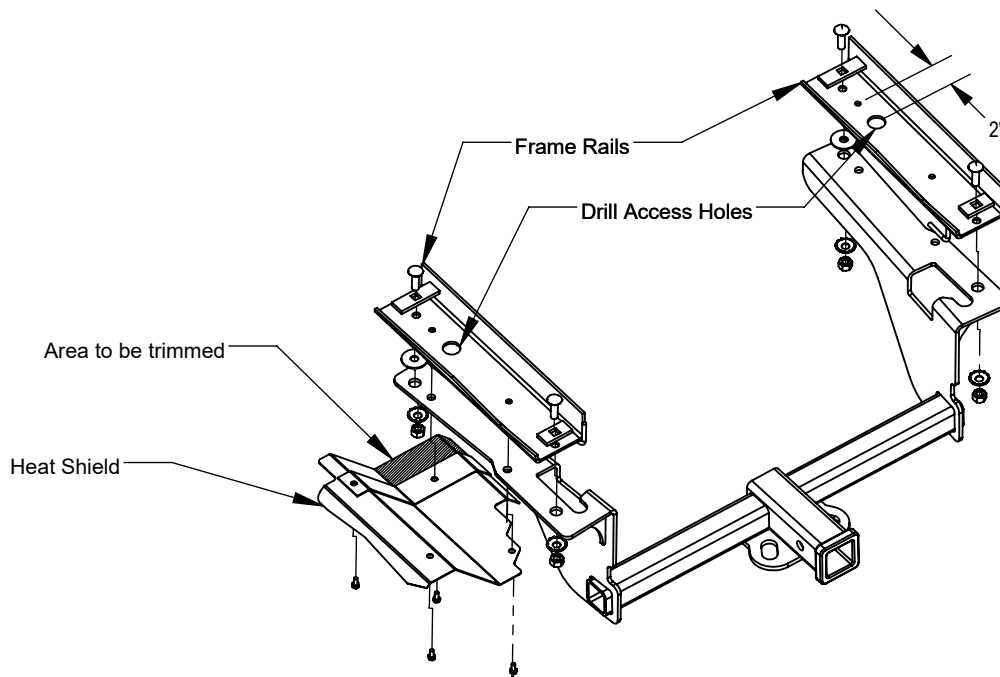
TOOLS REQUIRED:

DRILLS: 1-1/8" HOLE SAW

WRENCHES: Ratchet, Torque Wrench, Socket Extension, 10mm, 11/16" Sockets

HITCH RATING: 4,000 LBS WEIGHT CARRYING, 400 LBS TONGUE WEIGHT / NOT RATED FOR WEIGHT DISTRIBUTING
WARNING: CONSULT VEHICLE OWNERS MANUAL FOR TOWING RECOMMENDATIONS. DO NOT EXCEED VEHICLE'S RECOMMENDED TOWING CAPACITY. THIS PRODUCT IS DESIGNED FOR TRAILER TOWING ONLY AND SHOULD NOT BE USED FOR ANY OTHER PURPOSE.

NOTE: INSTALL PARTS LOOSELY UNTIL ALL ATTACHMENTS HAVE BEEN MADE TO VEHICLE



1. Lower exhaust by removing the two rubber isolators from canister(s) and one below rear axle. **Note support exhaust system to prevent damaging the vehicle.**
2. Remove heat shield(s) by removing (4) 6mm bolts retain heat shield(s) and bolts for reinstallation.
3. Remove rubber plugs from mounting holes in frame rails.
4. Drill a 1-1/8" access hole in the bottom of the frame rails approximately 2" rearward of the forward most heat shield attachment point. (Between the heat shield mounting holes).
5. Using the fish wires provided fish the carriage bolts and block plates up through the access holes and down through the mounting holes leaving the fish wires attached. **Note: the shorter block plates go to the rearward attachments.**
6. Tape a 1/2" flat washer to the bottom of each frame rail over the forward mounting bolt.
7. Raise the hitch into position feeding the fish wires through the mounting holes of the hitch.
8. Loosely attach the hitch with the four conical washers and hex nuts provided.
9. Trim the forward inboard corner of the heat shield(s) around the forward attachment bolts so that the heat shield(s) lay flat against the hitch bracket(s) and reattach the heat shield(s) using 6mm bolts removed in step two.
10. Tighten all 7/16" fasteners to 50 LB-FT.
11. Raise the exhaust system back into place and reattach all rubber isolators.

Thank you for purchasing a Rigid Hitch

Hardware Package:

- | | |
|-------------------------------------|-------------------------------|
| (4) 7/16-14 x 1-1/2" Carriage Bolts | (4) 7/16 Fish wires |
| (4) 7/16 Conical Washers | (2) 1/4 x 1 x 2" Block Plates |
| (4) 7/16-14 Heavy Hex Nuts | (2) 1/4 x 1 x 3" Block Plates |
| | (2) 1/2" Flat Washers |

GIVE THIS INSTRUCTION SHEET TO VEHICLE OWNER



THIS PRODUCT COMPLIES WITH SAFETY SPECIFICATIONS AND REQUIREMENTS FOR SAE AND VESC REGULATION V-5 FOR CONNECTING DEVICES AND TOWING SYSTEMS. **DO NOT MODIFY THIS PRODUCT.** INSTALL ONLY ON SPECIFIED VEHICLES IN GOOD CONDITION.

RIGID[®]
HITCH INCORPORATED
3301 WEST BURNSVILLE PARKWAY
BURNSVILLE, MN 55337

REV.
7/17