

CLASS III TRAILER HITCH

R3-0132

RAM PROMASTER

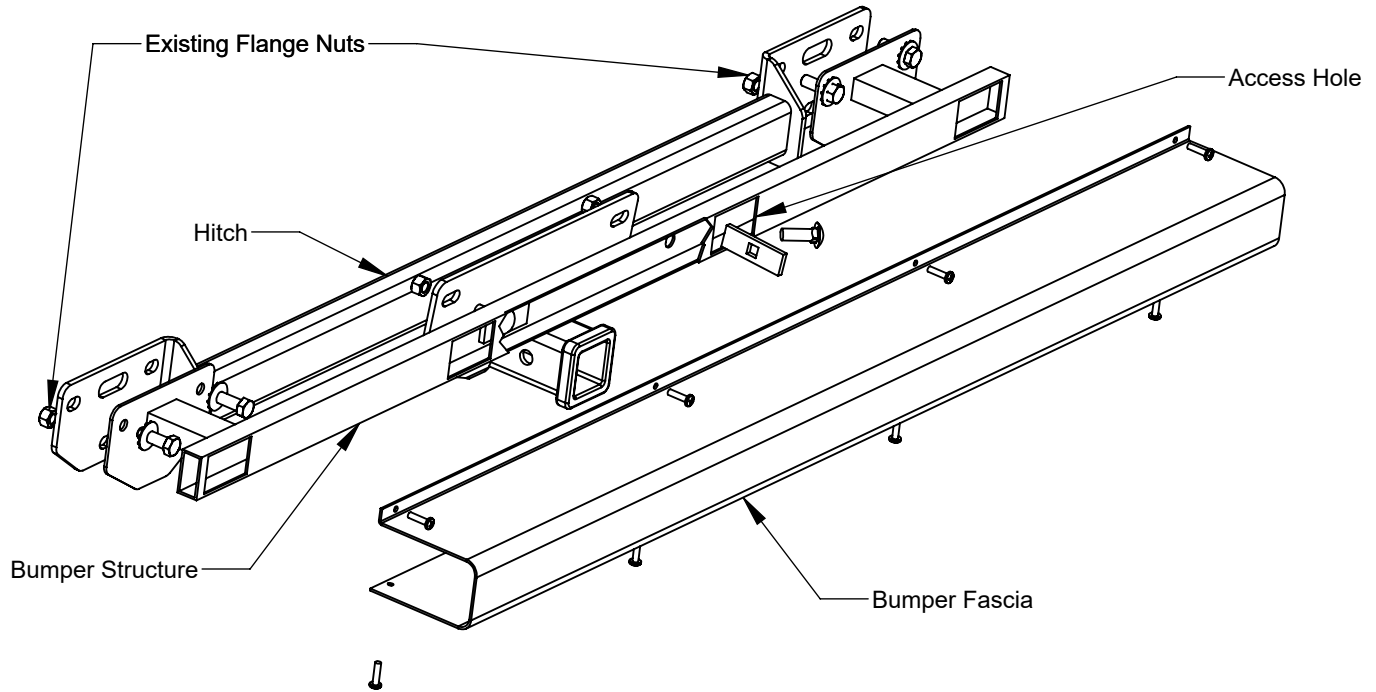
TOOLS REQUIRED:

DRILLS: NONE

WRENCHES: Ratchet, Torque Wrench, Socket Extension, 3/4", 16MM, 18MM, #30 TORX

HITCH RATING: 5,000 LBS WEIGHT CARRYING, 500 LBS TONGUE WEIGHT THIS HITCH IS NOT RATED FOR WEIGHT DISTRIBUTING. WARNING: CONSULT VEHICLE OWNERS MANUAL FOR TOWING RECOMMENDATIONS. DO NOT EXCEED VEHICLE'S RECOMMENDED TOWING CAPACITY. THIS PRODUCT IS DESIGNED FOR TRAILER TOWING ONLY AND SHOULD NOT BE USED FOR ANY OTHER PURPOSE.

NOTE: INSTALL PARTS LOOSELY UNTIL ALL ATTACHMENTS HAVE BEEN MADE TO VEHICLE



1. Remove the eight Torx screws (4 on top and 4 on bottom) attaching the bumper fascia to the vehicle. If there are wires for sensors or back up camera disconnect wires before completely removing the fascia. Set fascia and hardware aside for reinstallation.
2. Remove the bumper structure by removing the four M10 hex bolts and two M10 flange nuts attaching the bumper structure to the vehicle. The flange nuts will be reused for installation, return the four hex bolts to vehicle owner.
3. Attach the hitch to the bumper structure. Using the fish wire provided insert the 1 x 3" block plates and 1/2" carriage bolts into the large access holes out through the mounting holes and through the mounting slots in the center support of the hitch. Loosely attach with the 1/2" flange nuts provided.
4. Raise the hitch and bumper structure into place and loosely attach with the four M10 x 1.25 x 40 hex bolts and 7/16" lock washers provided. Reattach the two M10 Flange nuts removed in step 2.
5. Torque the 1/2" hardware to 75 FT LB. Torque the M10 fasteners to 71 FT LB.
6. Reattach the bumper fascia and any wires disconnected in step 1.

Thank you for purchasing a Rigid Hitch

Hardware Package:

- | | |
|--|-------------------------------|
| (4) M10 x 1.25 x 40mm CL10.9 Hex Bolts | (2) 1/2" Flange Nuts |
| (4) 7/16" Lock Washers | (2) 1/4 x 1 x 3" Block Plates |
| (2) 1/2-13 x 1-1/2" Carriage Bolts | (1) 1/2" Fish Wire |

GIVE THIS INSTRUCTION SHEET TO VEHICLE OWNER



THIS PRODUCT COMPLIES WITH SAFETY SPECIFICATIONS AND REQUIREMENTS FOR SAE AND VESC REGULATION V-5 FOR CONNECTING DEVICES AND TOWING SYSTEMS. **DO NOT MODIFY THIS PRODUCT. INSTALL ONLY ON SPECIFIED VEHICLES IN GOOD CONDITION.**

RIGID[®]
HITCH INCORPORATED
3301 WEST BURNSVILLE PARKWAY
BURNSVILLE, MN 55337

REV.
02/21