

INSTALLATION MANUAL

13628

Level of Difficulty

Moderate

Installation difficulty levels are based on time and effort involved and may vary depending on the installer level of expertise, condition of the vehicle and proper tools and equipment.

Weight Carrying Capacity

Gross trailer weight (GTW)	2,000 lbs.
Tongue weight (TW)	200 lbs.

Parts List

Item	Qty	Description
1	1	Trailer hitch
2	5	Hex bolt, M8-1.25 x 30mm
3	5	Conical-toothed washer, 3/8"

Tools Required

Ratchet	Torque wrench
Socket, 13mm	Torque adapter
Flathead screwdriver	--

* For a tools reference guide visit curtmfg.com/trailer-hitch-installation

Product Registration and Warranty

CURT stands behind our products with industry-leading warranties. To get copies of the product warranties, register your purchase or provide feedback, visit: warranty.curtgroup.com/surveys

⚠ WARNING

Never exceed the vehicle manufacturer's recommended towing capacity.

Product Photo



NOTICE

Visit www.curtmfg.com for a full-color copy of this instruction manual, as well as helpful videos, guides and much more!

Before you begin installation, read all instructions thoroughly.

Proper tools will improve the quality of installation and reduce the time required.

Periodic inspection of the trailer hitch should be performed to ensure all mounting hardware remains tight and structural components are secure.

To help prevent damage to the product or vehicle, refer to the specified torque specifications when securing hardware during the installation process.

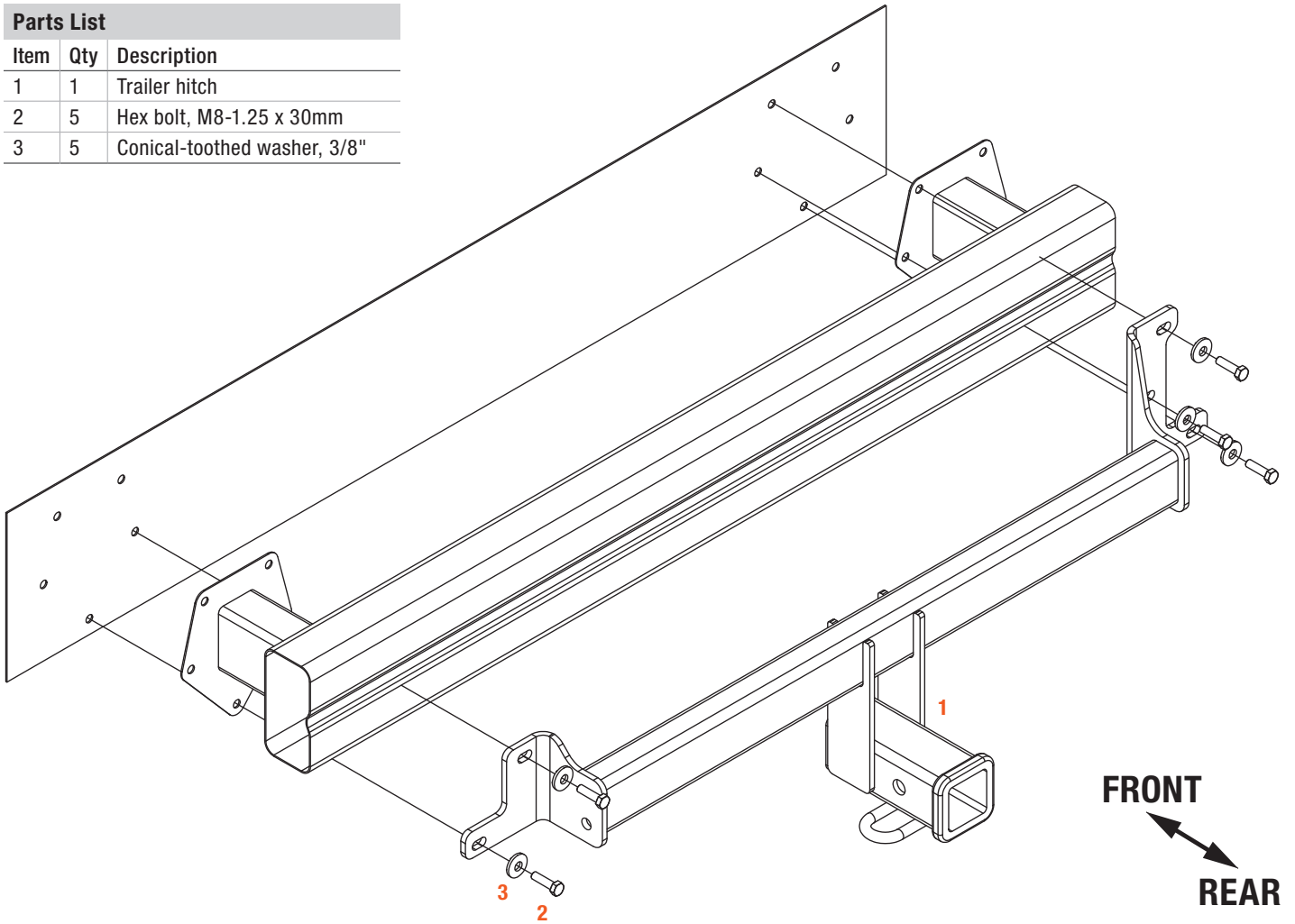
SAFETY INSTRUCTIONS

Safety glasses should be worn at all times while installing this product.

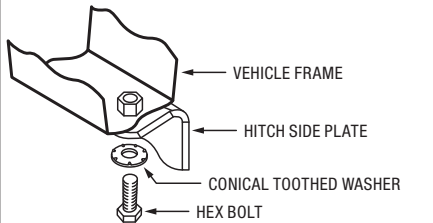
ASSEMBLY

Parts List

Item	Qty	Description
1	1	Trailer hitch
2	5	Hex bolt, M8-1.25 x 30mm
3	5	Conical-toothed washer, 3/8"

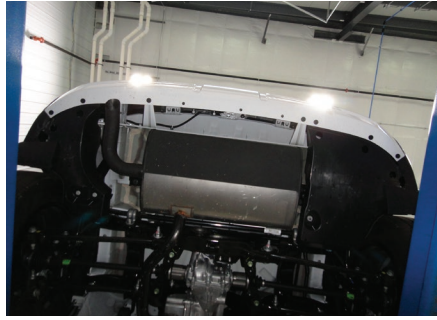


CONICAL TOOTHED WASHER ORIENTATION



Step 1

Remove the seven (7) fasteners from the bottom of the center insert on the rear bumper.



Step 2

Remove the electrical retention clip from the bumper cover insert at each end of the panel.



Step 3

Remove the lower center panel from the bumper cover by carefully pushing in the tabs from the back of the panel while pushing the panel away from the vehicle.



Step 4

Using a 13mm socket, remove the bottom bolt and middle bolt located towards the center of each bumper beam support. Remove the top bolt toward the center of the vehicle on the passenger side only.



Step 5

Raise the hitch (#1) into position and loosely secure it with M8 bolts (#2) and conical-toothed washers (#3)



Step 6

Torque M8 hardware to 23 ft-lbs.

Reinstall the bottom panel following steps 1-3 in reverse order.



Final Installed Image



TOWING BASICS & SAFETY INFORMATION

For information on safely towing your trailer, visit [curtmfg.com/understanding-towing](https://www.curtmfg.com/understanding-towing).