

INSTALLATION MANUAL

13614

Level of Difficulty

Difficult

Installation difficulty levels are based on time and effort involved and may vary depending on the installer level of expertise, condition of the vehicle and proper tools and equipment.

Weight Carrying Capacity

Gross trailer weight (GTW)	5,000 lbs.
Tongue weight (TW)	500 lbs.

Weight Distribution Capacity

Weight distribution (WD)	5,000 lbs.
WD tongue weight (WDTW)	500 lbs.

Parts List

Item	Qty	Description
1	1	Trailer hitch
2	4	Carriage bolt, 1/2"–13 x 1.5"
3	4	Hex bolt, M10x1.5 - 45mm
4	4	Serrated-flange nut, 1/2"
5	4	Conical-toothed washer, 3/8"
6	4	Square-hole spacer, 25" x 1.00" x 2.00"

Tools Required

Ratchet	Socket, 7mm
Torque wrench	Socket, 15mm
Torx bit, T-15	Socket, 3/4"
Torx bit, T-20	Fishwire, 1/2"
Socket extension, 6"	(includes 4 qty)

* For a tools reference guide visit curtmfg.com/trailer-hitch-installation

⚠ WARNING

Never exceed the vehicle manufacturer's recommended towing capacity.

Product Photo



NOTICE

Visit www.curtmfg.com for a full-color copy of this instruction manual, as well as helpful videos, guides and much more!

Before you begin installation, read all instructions thoroughly.

Proper tools will improve the quality of installation and reduce the time required.

This installation requires:

- Lowering of the exhaust
- Temporary rear bumper cover removal
- Rear bumper beam replacement

Periodic inspection of the trailer hitch should be performed to ensure all mounting hardware remains tight and structural components are secure.

To help prevent damage to the product or vehicle, refer to the specified torque specifications when securing hardware during the installation process.

SAFETY INSTRUCTIONS

Safety glasses should be worn at all times while installing this product.

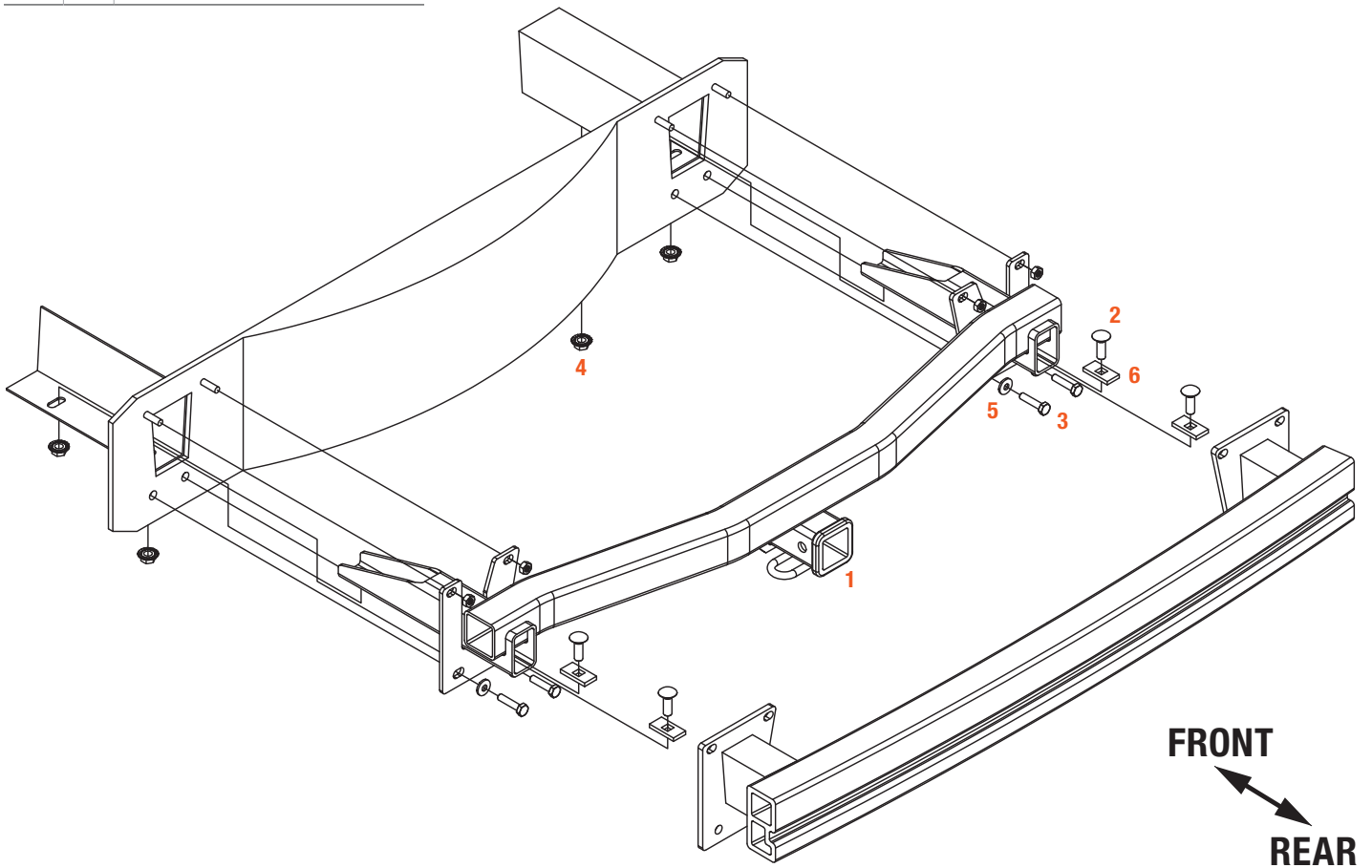
Product Registration and Warranty

CURT stands behind our products with industry-leading warranties. To get copies of the product warranties, register your purchase or provide feedback, visit: warranty.curtgroup.com/surveys

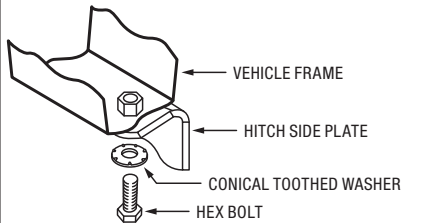
ASSEMBLY

Parts List

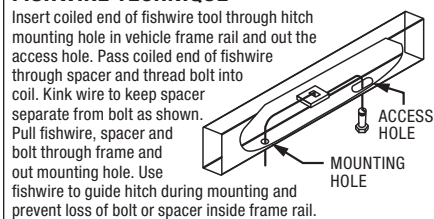
Item	Qty	Description
1	1	Trailer hitch
2	4	Carriage bolt, 1/2"-13 x 1.5"
3	4	Hex bolt, M10x1.5 - 45mm
4	4	Serrated-flange nut, 1/2"
5	4	Conical-toothed washer, 3/8"
6	4	Square-hole spacer, 25" x 1.00" x 2.00"



CONICAL TOOTHED WASHER ORIENTATION



FISHWIRE TECHNIQUE



Step 1

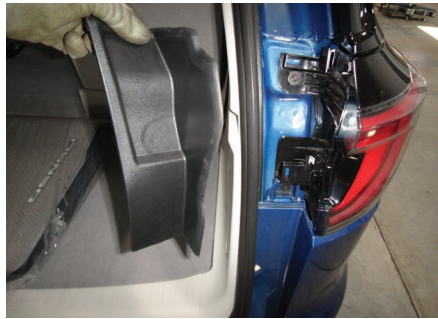
Remove two (2) bolts from the bottom of the bumper cover using a T-15 Torx bit then open the tailgate and remove two (2) more bolts from above with a T-20 Torx bit.



Step 2

Remove the cover near each taillight and remove the bolt securing the bumper cover using a 7mm socket.

Note: On Chevrolet vehicles, removing the two bolts securing the taillight may ease bumper cover removal.



Step 3

Remove four (4) screws from each rear wheel well starting at the bottom and working upward using a T-15 Torx bit.



Step 4

Carefully pull the wheel well trim to remove it from the bumper cover, exposing a bolt at the top of the bumper cover. Remove it with a 7mm socket.



Step 5

Carefully remove the bumper cover by pulling out starting at the wheel well and working towards the rear of the vehicle. Disconnect electrical connectors as needed.

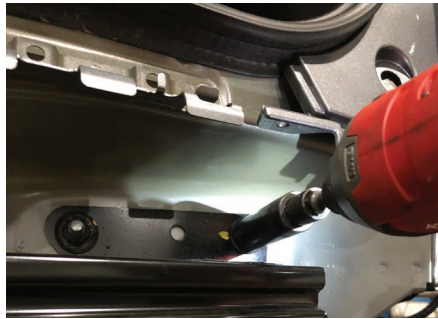
Note: On Chevrolet vehicles it may be easier to remove the tail lights with the bumper cover by pulling them away from the vehicle with the bumper cover if the taillight screws were removed in step 2.



Step 6

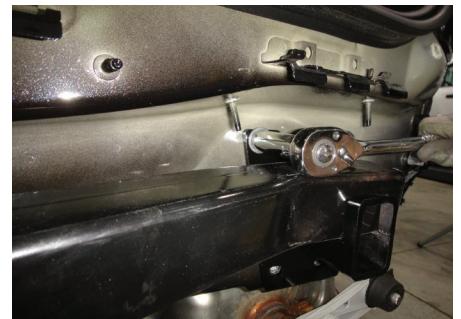
Remove the factory bumper beam by removing four (4) M10 nuts and four (4) M10 bolts using a 15mm socket. Return the bumper beam and four (4) bolts to the vehicle owner. Set aside the four (4) M10 nuts for reinstallation in step 7.

Note: Be sure to support the exhaust when removing the lower fasteners to prevent damage to the vehicle exhaust system.



Step 7

Slide the hitch into position in the frame rail and over the weld studs. Loosely secure it with the four (4) M10 nuts removed in step 6.



Step 8

Fishwire the 1/2" carriage bolts (#2) and spacers (#6) into position through the tube into the frame rail. Secure with serrated-flange nuts (#4).

Torque the 1/2" nuts to 90 ft-lbs.



Step 9

Reinstall the exhaust using the supplied M10 bolts (#3) and conical-toothed washers (#5).

Reinstall the bumper cover following steps 1-5 in reverse order.

Torque M10 bolts to 45 ft-lbs.

Reinstall the bumper cover following steps 1-5 in reverse order.



Final Installed Image



TOWING BASICS & SAFETY INFORMATION

For information on safely towing your trailer, visit [curtmfg.com/understanding-towing](https://www.curtmfg.com/understanding-towing).