

INSTALLATION MANUAL

11684

Level of Difficulty

Difficult

Installation difficulty levels are based on time and effort involved and may vary depending on the installer level of expertise, condition of the vehicle and proper tools and equipment.

Weight Carrying Capacity

Gross trailer weight (GTW)	2,000 lbs.
Tongue weight (TW)	200 lbs.

Parts List

Item	Qty	Description
1	1	Trailer hitch
2	8	Flange bolt, M8 x 1.25-25, CL 10.9

Tools Required

Ratchet	Torque wrench
Socket, 15mm	Socket extension, 3"
Socket, 13mm	Flathead screwdriver
Socket, 12mm	Tape measure
Socket, 10mm	Cut-off wheel

Product Registration and Warranty

CURT stands behind our products with industry-leading warranties. To get copies of the product warranties, register your purchase or provide feedback, visit: warranty.curtgroup.com/surveys

⚠ WARNING

Never exceed the vehicle manufacturer's recommended towing capacity.

Product Photo



NOTICE

Visit www.curtmfg.com for a full-color copy of this instruction manual, as well as helpful videos, guides and much more!

Before you begin installation, read all instructions thoroughly.

Proper tools will improve the quality of installation and reduce the time required.

Periodic inspection of the trailer hitch should be performed to ensure all mounting hardware remains tight and structural components are secure.

To help prevent damage to the product or vehicle, refer to the specified torque specifications when securing hardware during the installation process.

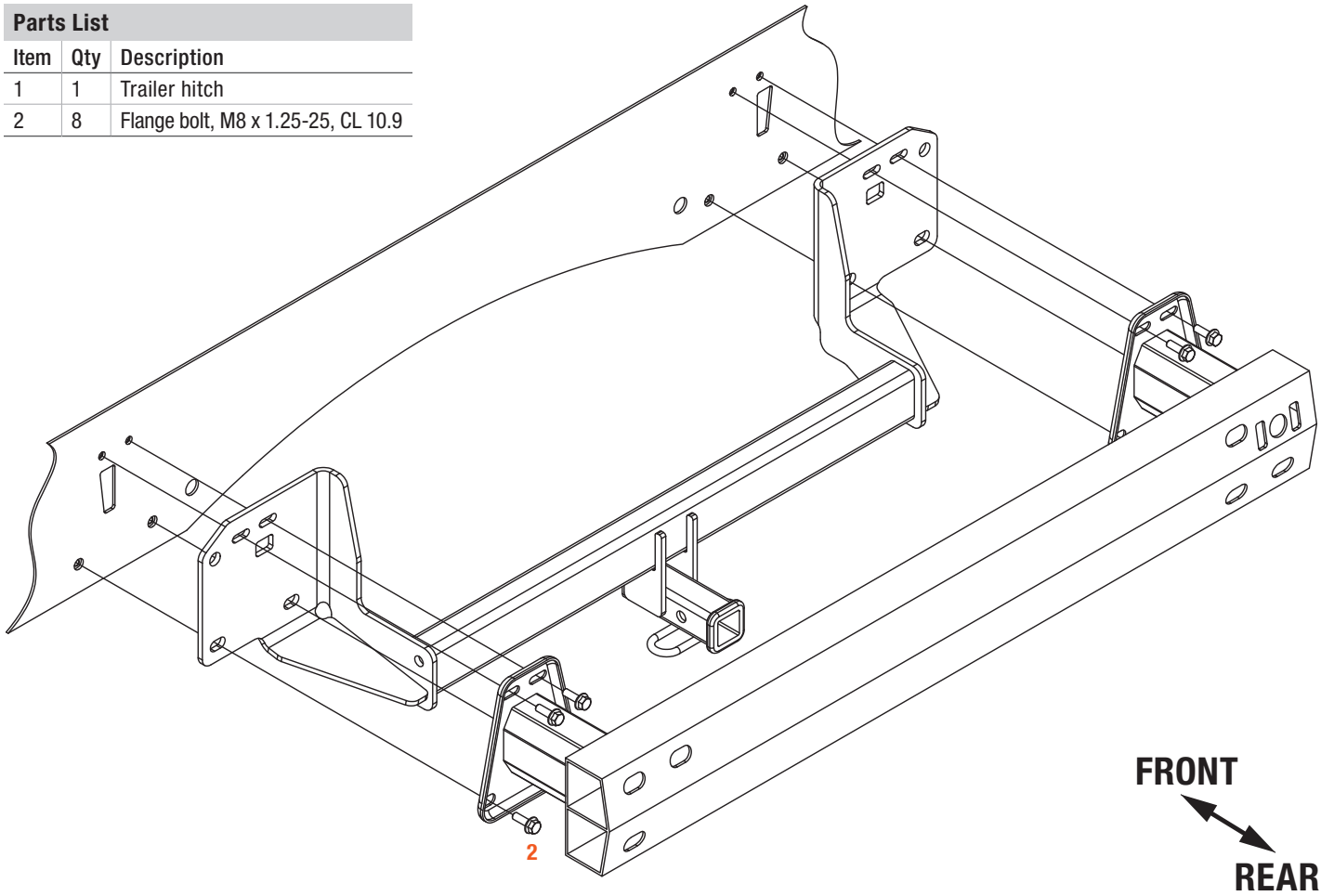
SAFETY INSTRUCTIONS

Safety glasses should be worn at all times while installing this product.

ASSEMBLY

Parts List

Item	Qty	Description
1	1	Trailer hitch
2	8	Flange bolt, M8 x 1.25-25, CL 10.9



Step 1

Remove eight (8) push fasteners from the bumper trim, six (6) from the bottom of the bumper cover and two (2) from inside the wheel well.



Step 2

Using a 10mm socket, remove two (2) screws from the bottom of the bumper cover near each wheel well.



Step 3

Gently pull the wheel well trim away from the vehicle to expose the push fastener near the top of the bumper cover and remove it. Pushing in on the retaining clips of the tabs will ease removal.



Step 4

Open the rear hatch and remove the panel near the taillights. Remove the newly exposed screw at the top of the bumper cover.



Step 5

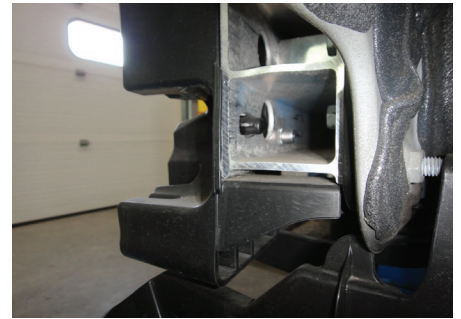
Remove the bumper cover by gently pulling it away from the vehicle starting at the rear wheel wells and working towards the rear of the vehicle. Disconnect the electrical connector and set the bumper cover aside.



Step 6

Using a 13mm socket, remove the bolt from the plastic block that is inserted into the bumper beam. Squeeze the tab in the bumper beam to remove the block.

Repeat on the opposite end of the bumper.



Step 7

Using a 15mm socket, remove the three (3) bolts from each side of the bumper beam. Remove the bumper beam and set it aside with its hardware for reinstallation.



Step 8

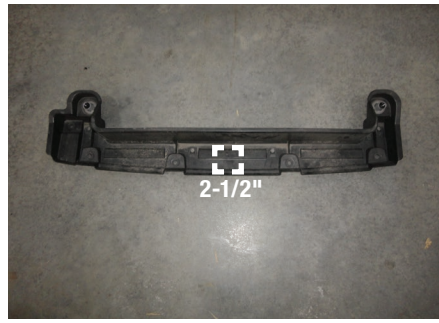
Using a 12mm socket, remove the four (4) bolts from the bumper beam support brackets and set it aside.

Repeat on the opposite side.



Step 9

Trim the underbody panel using the trim diagram below as reference.



Step 10

Raise the hitch into position between the trunk pan and the bumper beam supports and secure it with the included M8 bolts (#2).

Torque the M8 bolts to 23 ft-lbs.

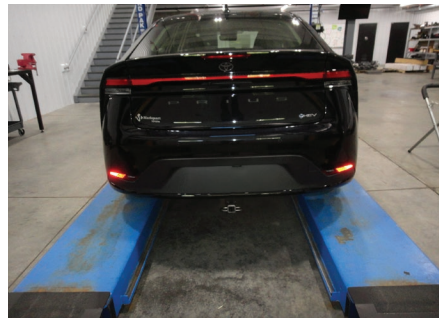


Step 11

Reinstall the bumper beam and secure it with the original M10 bolts.

Torque the M10 bolts to 45 ft-lbs.

Reinstall the bumper cover following steps 1-6 in reverse order.



TOWING BASICS & SAFETY INFORMATION

For information on safely towing your trailer, visit curtmfg.com/understanding-towing.