



Strong As An Ox™

## BX1110 Installation Instructions 1984- 2001 Jeep Cherokee Models 1984-92 Jeep Comanche 1984-90 Jeep Wagoneer & LTD

Installation of this baseplate requires removing the front bumper and the plastic molding on the front bumper. The lower plastic spoiler needs to be removed and trimmed to allow for the attachment tabs. If vehicle is equipped with a steel belly pan it will need to be removed. Holes need to be drilled. The RangeFinder II and adapters can not be used with this vehicle. The Acclaim will not fold up with this vehicle.

1984 - 96 Cherokee

1984 - 92 Comanche

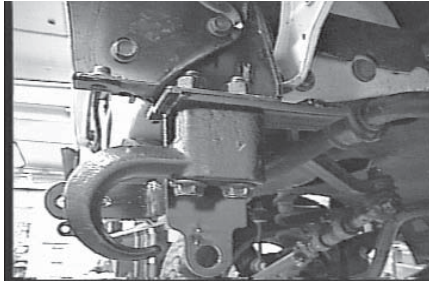
1. The front bumper needs to be removed for access to the frame. There are four T50 Torx bolts that secure the bumper. Two on the bottom and two on the top.
2. Remove the screws from the plastic center grill and the plastic molding surrounding the headlights. Set pieces aside. Remove the fog lights if vehicle is equipped with them.
3. Remove the two plastic pieces from each end of the metal bumper. Reach from underneath the molding using a ratchet and extension and a 7mm socket to remove the bolts fastening the molding to the fenders, also remove the bolts from the front of the moldings. Remove the vacuum ball fastened to the passenger side of the bumper. Remove the top and bottom Torx bolts fastening the metal bumper to the frame.
4. Remove the rivets fastening the lower plastic spoiler to the bumper. It will be replaced later.

### All Models

5. If vehicle has a skid plate it needs to be removed. If vehicle has a rubber rock guard, fold it out of the way for baseplate installation.
6. Notice and remove the two black triangular brackets (one on each side of the frame) with three bolt holes each. Remove the metal nut clips (two on each side) that were used for the front holes of the bracket.
7. Newer model Cherokees need to have the plates removed from the front of the frame to get access to the center of the frames.

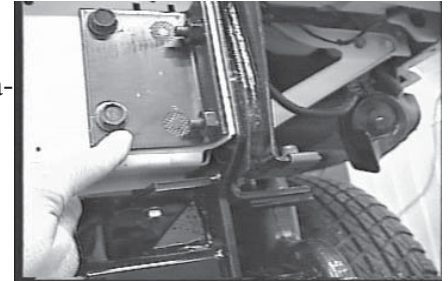


8. The baseplate's sidemounts (Item 1) will be placed between the black brackets and the frame. Use the 7/16" bolts, nuts and washers (Items 2,3,5, and 6) with the two 4 inch mount plates (Item 4 to be used on models prior to and including 1999) to replace the front two bolts of the brackets. The 4 inch plates will be placed inside the frame. The back bolts will be reused. Use Loctite Red on all bolts and tighten.

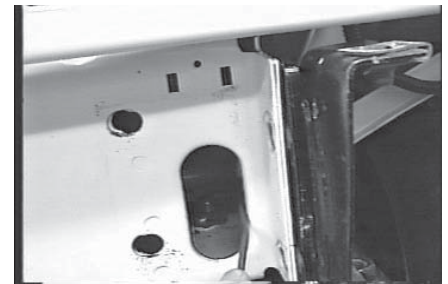


### 1997 Cherokee Models

NOTE: If vehicle has tow hooks, remove them for baseplate installation. The Tow hooks are installed later and the factory bracket will be replaced with new tow hook brackets. The new tow hook brackets may not work for models older than 1997.

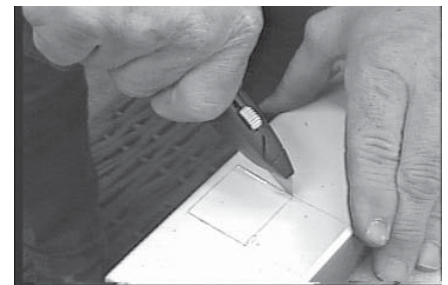


9. Use the horizontal braces extending back from the baseplate along the frame as a template and drill the 1/2" holes. Use the 7/16" bolts (Item 3) and 7/16" wire nuts (Item 7). If there is a gap between the frame and the brace use the extra 7/16" flat washers as spacers. Use Loctite Red on all bolts.



10. Bolt the tow hooks back into place, install the new tow hook brackets using the 7/16" hardware. Use Loctite Red on all bolts.

11. Replace the bumper and vacuum ball. The plastic spoiler is trimmed to allow for the attachment tabs. Hold the spoiler up to its original position, mark and trim. Replace the spoiler using the plastic rivets supplied in bolt bag.



12. Replace the plastic end pieces and fog lights.

13. The dimensional variations between otherwise identical cars can be considerable. While the location and size of the holes in the baseplate were designed to allow for easy installation, it may be necessary to file a hole to allow a bolt to clear.

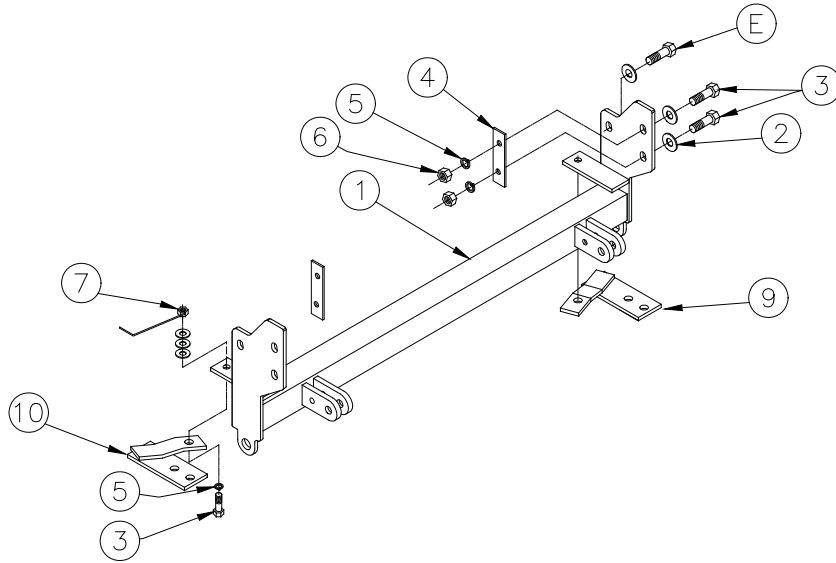
14. DEALER OR INSTALLER: BE SURE OWNER RECEIVES THE INSTRUCTION SHEET.

NOTE: If vehicle is equipped with a steel or plastic skid plate, it can be reinstalled with careful trimming or it can be left off the vehicle.

### Tools Required

Torx T25	Drill	Loctite Red
Torx T45	1/2" Drill Bit	7/16" Wrench
Torx T50	Transfer Punch	11/16" Wrench
7mm Socket	8mm Wrench	5/8" Wrench
10mm Wrench	15mm Socket	7/16" Socket
Socket Extension	18mm Socket	





### Parts List

Ref. No.	Qty.	Part No.	Description
1	1	61-4991	Weldment, Baseplate BX1110
2	14	203-0004	7/16" Flat Washer
3	6	201-0416	7/16"-14 x 1 1/2" Hex Bolt, Grade 5
4	2	102-5245	Flat Plate
5	8	203-0011	7/16" Lock Washer
6	6	202-0004	7/16" Hex Nut
7	2	61-4400	7/16" Wire Nut
8	3	290-0331	Pine Tree Clips (not shown)
E	2	xxx-xxxx	Existing Bolts
9	1	61-5553	Driver Side Tow Hook Bracket
10	1	61-5554	Passenger Side Tow Hook Bracket
	2	226-0046	Baseplate Safety Cable, 36" CL III (NS)
	4	229-0359	Quicklink, 3/8, ZP (Not Shown)

