

# ABSJRGD

## Rear suspension package Ensemble pour suspension arriere Ensemble para suspension de delantero

### INSTALLATION INSTRUCTION

- Raise vehicle allowing the axle to hang freely.
- Remove existing bump stop by prying out of bumpstop cup.
- Mount Timbren assembly using existing holes & Timbren supplied fasteners.
- Lower vehicle.

### NOTES

Use rubber spacer #3 and bolt #7 to achieve desired ride height.

*Do not exceed vehicle manufacturer's recommended axle weight rating. Check for AEON® interference with vehicle components - Under load AEON® will "expand" in diameter.*

### INSTRUCTIONS DE MONTAGE

- Soulevez le véhicule en laissant l'essieu pendre librement.
- Enlevez la butée de butée existante en faisant levier sur la coupelle de butée.
- Montez l'ensemble Timbren en utilisant les trous existants et les fixations fournies par Timbren.
- Abaissez le véhicule.

### REMARQUES

Utilisez l'entretoise en caoutchouc #3 et le boulon #6 pour atteindre la hauteur de conduite souhaitée.

*Ne pas dépasser le poids nominal sur l'essieu recommandé par le fabricant du véhicule. Vérifier que le ressort AEON® n'a pas d'incidence sur d'autres pièces du véhicule - Le ressort AEON® augmentera son diamètre avec la charge.*

### INSTRUCCIONES DE INSTALACION

- Eleve el vehículo permitiendo que el eje cuelgue libremente.
- Quite el tope de choque existente haciendo palanca para sacar el tope de tope.
- Monte el conjunto de Timbren utilizando los orificios existentes y los sujetadores suministrados por Timbren.
- Vehículo inferior.

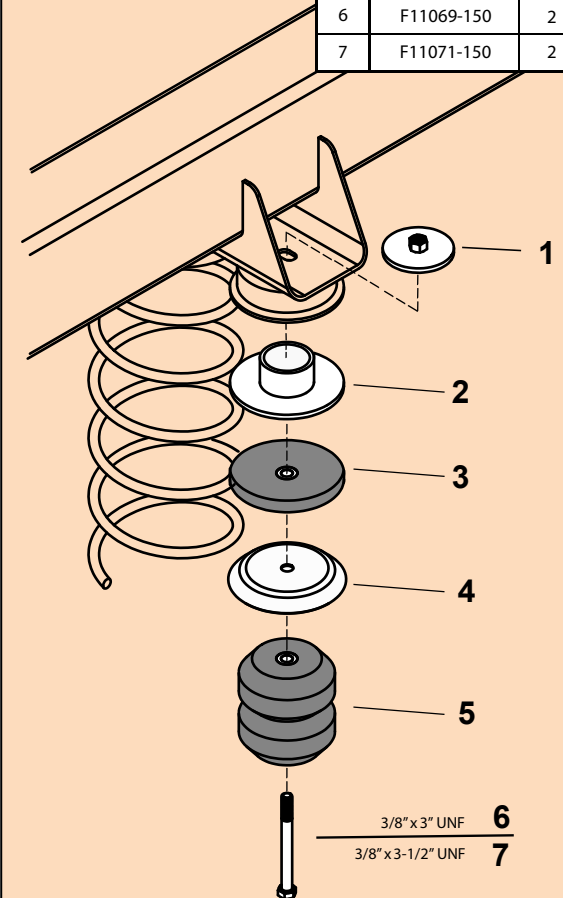
### NOTAS

Use el espaciador de goma #3 y el perno #6 para lograr la altura de manejo deseada.

*No exceda la carga nominal en el eje recomendada por el fabricante del vehículo. Compruebe que no haya interferencia entre el resorte AEON® y los otros componentes del vehículo. Bajo carga, el resorte AEON® se ampliará en diámetro.*

Ref. = Reference = No. de référence = Núm. de referencia  
Part = Part #. = No. de pièce = Núm. de pieza  
Qty. = Quantity = Quantité = Cantidad

| Ref | Part         | Qty |
|-----|--------------|-----|
| 1   | K10051-003   | 2   |
| 2   | K10130-003   | 2   |
| 3   | A25722-90P00 | 2   |
| 4   | A1602B-003   | 2   |
| 5   | A00515-55P30 | 2   |
| 6   | F11069-150   | 2   |
| 7   | F11071-150   | 2   |



ABSJRGD 

**ASSEMBLY NOTES:**

| PART NUMBER       | DESCRIPTION                | QTY      | LOCATION   |
|-------------------|----------------------------|----------|------------|
| <b>F11069-150</b> | HCS 3/8 x 3 UNF GR 5 Z     | <b>2</b> | <b>G2C</b> |
| <b>F11071-150</b> | HCS 3/8 x 3-1/2 UNF GR 5 Z | <b>2</b> | <b>G2C</b> |

|                     |  |          |            |
|---------------------|--|----------|------------|
| <b>A00515-55P30</b> | AEON HOLLOW RUBBER SPRING                  | <b>2</b> | <b>C5B</b> |
| <b>A25722-90P00</b> | RUBBER SPACER 4"od x 1/2" thk w/ P Bushing | <b>2</b> |            |

|                   |   |          |             |
|-------------------|---|----------|-------------|
| <b>K10051-003</b> | WELDMENT PAINTED                          | <b>2</b> | <b>E1A</b>  |
| <b>K10130-003</b> | WELDMENT PAINTED                          | <b>2</b> | <b>D21D</b> |
| <b>A1602B-003</b> | STEEL CUP 3-7/8 OD x 13/32 ID x 1/2" DEEP | <b>2</b> | <b>D21B</b> |

|                   |                          |          |            |
|-------------------|--------------------------|----------|------------|
| <b>B90215</b>     | Carton 8.5 x 6.5 x 5     | <b>1</b> | <b>A5A</b> |
| <b>B10000</b>     | 8" x 12" BUBBLE FOR KITS | <b>1</b> |            |
| <b>B00029-010</b> | BARCODE LABEL FOR KIT    | <b>1</b> |            |
| <b>B90121-010</b> | OFFROAD KIT BOX LABEL    | <b>1</b> |            |

Issued: 5/27/2021

**Lifetime Warranty:**

Timbren SES Kits are warranted against defects in material and workmanship, under normal use and service, for the life of the vehicle on which the kit was originally installed. The warranty is not transferable and proof of purchase is required. The warranty is limited to the replacement of the failed part.

TIMBREN will not be responsible for any labour or freight charges involved in the replacement of any product. TIMBREN shall be entitled to make its own inspection to determine the validity of the claim. TIMBREN shall not be liable nor warranty the product in the event of alteration, misuse, overload, negligence or damage caused by others.

If ride or performance of our product is unsatisfactory in any way, please call: 1-800-263-3113 or email [sales@timbren.com](mailto:sales@timbren.com)