

# INSTALLATION INSTRUCTIONS

VEHICLE	HITCH NO.
FORD EXPLORER 2 & 4 DR. MAZDA NAVAJO MERCURY MOUNTAINEER	75096

EQUIPMENT REQUIRED:  
 WIRING ACCESS LOCATION: SUV1, SUV2  
 DRILL BITS: 1/2"

WRENCHES: (TIGHTEN ALL FASTENERS WITH TORQUE WRENCH) 3/4, 7/8

DO NOT EXCEED LOWER OF  
 TOWING VEHICLE MFR'S RATINGS OR

HITCH TYPE ▼	MAX GROSS TRLR WT(LB)	MAX TONGUE WT(LB)
WEIGHT DISTRIBUTING	7500	750
WEIGHT CARRYING BALL MOUNT	5000	500

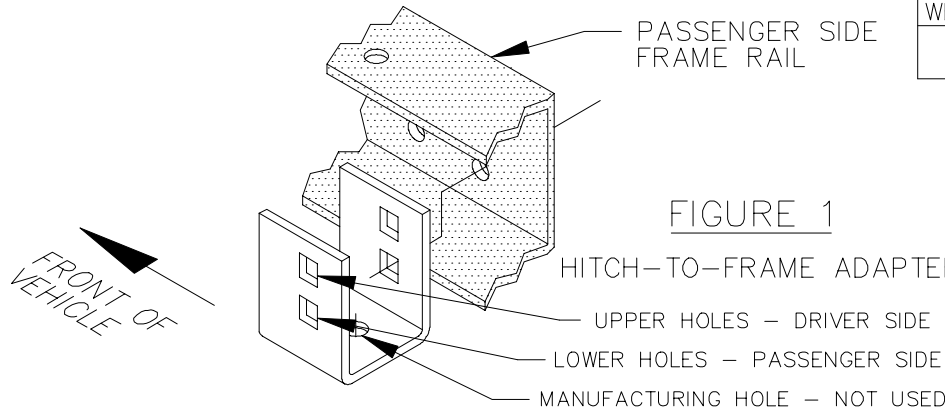


FIGURE 1

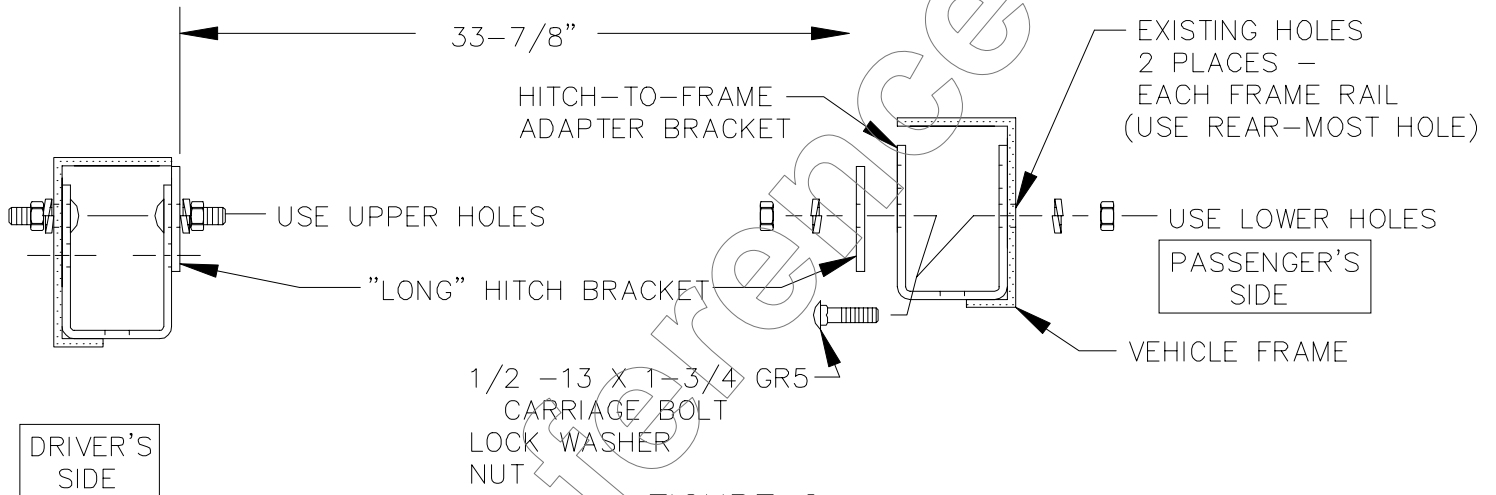


FIGURE 2

NOTE: TEMPORARY REMOVAL OF SPARE TIRE IS RECOMMENDED FOR EASE OF INSTALLATION AND ACCESS TO HITCH ATTACHING HARDWARE. TIRE CAN BE REINSTALLED IN ITS ORIGINAL POSITION AFTER HITCH INSTALLATION IS COMPLETE.

## • ATTACHMENT OF HITCH-TO-FRAME ADAPTER BRACKETS.

1. REMOVE TOW HOOKS, (IF EQUIPPED) FROM VEHICLE FRAME AND RETURN TO OWNER FOR REINSTALLATION IF HITCH IS REMOVED FROM VEHICLE.
2. ADAPTER BRACKETS ATTACH TO REARMOST EXISTING HOLES IN VERTICAL SURFACES OF VEHICLE FRAME. THESE HOLES ARE LOCATED APPROXIMATELY 18" FROM THE REAR END OF THE FRAME.
3. ORIENT ADAPTER BRACKETS AS SHOWN IN FIGURE 1. PLACE BRACKETS IN VEHICLE FRAME, ALIGNING WITH EXISTING HOLES WHICH WERE LOCATED IN STEP 1. INSTALL ALL BRACKET-TO-FRAME FASTENERS AS SHOWN IN FIGURE 2.

NOTE: UNLESS ADAPTER BRACKETS ARE PROPERLY POSITIONED, HITCH CANNOT BE INSTALLED.

THIS PRODUCT COMPLIES WITH SAFETY SPECIFICATIONS AND REQUIREMENTS FOR CONNECTING DEVICES AND TOWING SYSTEMS OF THE STATE OF NEW YORK AND V.E.S.C. REGULATION V-5.

APPROX WEIGHT (LB.)	40	FASTENER KIT NO.	1131-070
---------------------	----	------------------	----------

NOTE: Check hitch frequently, making sure all fasteners and ball are properly tightened. If hitch is removed, plug all holes in trunk pan or other body panels to prevent entry of water and exhaust fumes. A hitch or ball which has been damaged should be removed and replaced. Observe safety precautions when working beneath a vehicle and wear eye protection. Follow car maker's specs for maximum trailer weight and tongue weight. Do not cut access or attachment holes with a torch.



# INSTALLATION INSTRUCTIONS

VEHICLE	HITCH NO.
FORD EXPLORER 2 & 4 DR. MAZDA NAVAJO MERCURY MOUNTAINEER	75096

EQUIPMENT REQUIRED:

DRILL BITS: 1/2

WRENCHES: (TIGHTEN ALL FASTENERS WITH TORQUE WRENCH) 3/4, 7/8

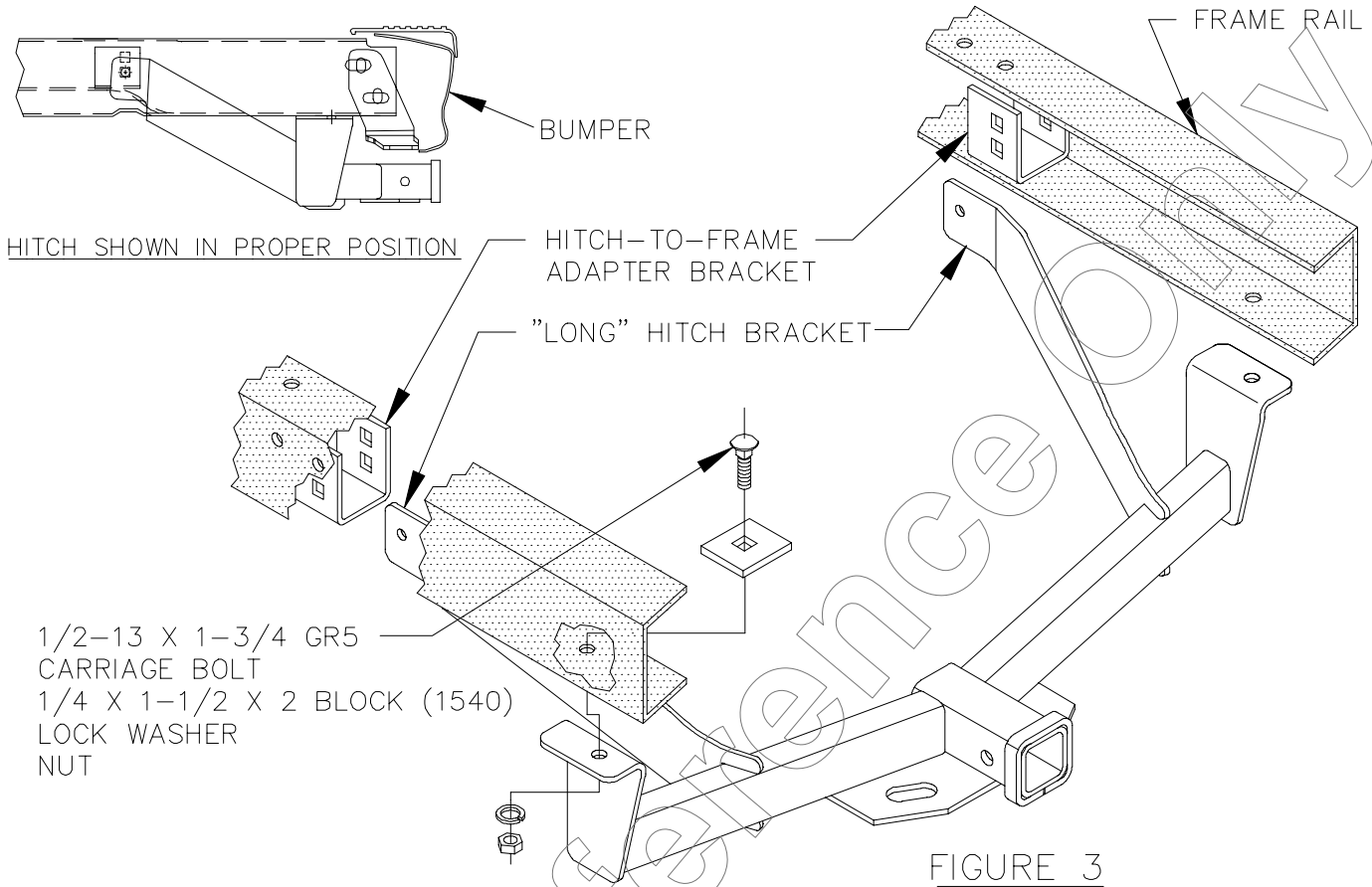


FIGURE 3

● ATTACHMENT OF HITCH ASSEMBLY TO VEHICLE.

- CHECK SPACING BETWEEN "LONG" HITCH BRACKETS. BRACKETS MAY NEED TO BE DEFLECTED TO ACHIEVE PROPER MEASUREMENT, 33-7/8".
- RAISE HITCH INTO POSITION UNDER VEHICLE, ALIGNING HOLES IN "LONG" HITCH BRACKET WITH HOLES IN ADAPTER BRACKET.  
NOTE: USE LOWER HOLES IN ADAPTER BRACKET ON PASSENGER SIDE. USE UPPER HOLES ON DRIVER'S SIDE. "LONG" BRACKETS ARE PLACED ON THE INBOARD SURFACE OF THE ADAPTER BRACKET (NEAREST SPARE TIRE).  
INSTALL HITCH TO ADAPTER BRACKET FASTENERS AS SHOWN IN FIGURE 2.

94 AND PRIOR MODELS:

- USING HOLE IN HITCH BRACKET AS A TEMPLATE, DRILL 1/2" HOLE THROUGH FRAME RAIL.
- INSTALL HITCH-TO-FRAME FASTENERS AS SHOWN IN FIGURE 3.

95 AND LATER MODELS:

- INSTALL HITCH-TO-FRAME FASTENERS AS SHOWN IN FIGURE 3.

TIGHTEN 1/2-13 GR5 FASTENERS TO 75 LB.-FT.

THIS PRODUCT COMPLIES WITH SAFETY SPECIFICATIONS AND REQUIREMENTS FOR CONNECTING DEVICES AND TOWING SYSTEMS OF THE STATE OF NEW YORK AND V.E.S.C. REGULATION V-5.

APPROX WEIGHT (LB.)	40	FASTENER KIT NO.	1131-070
---------------------	----	------------------	----------

NOTE: Check hitch frequently, making sure all fasteners and ball are properly tightened. If hitch is removed, plug all holes in trunk pan or other body panels to prevent entry of water and exhaust fumes. A hitch or ball which has been damaged should be removed and replaced. Observe safety precautions when working beneath a vehicle and wear eye protection. Follow car maker's specs for maximum trailer weight and tongue weight. Do not cut access or attachment holes with a torch.

