

COVER PAGE

58531 ADAPTED KIT

NOTE!

Prior to installing product, please visit one of our websites to assure your kit contains the most recent revision to installation instruction and verify vehicle application.

www.ReeseProducts.com

REMARQUE!

Avant d'installer le produit, veuillez visiter un de nos sites Web pour vous assurer que votre ensemble contient la plus récente version des instructions d'installation et vérifier l'application qui convient à votre véhicule.

www.ReeseProducts.com

NOTA!

Antes de instalar el producto, por favor visite uno de nuestros sitios web para asegurar que su equipo contiene la revisión más reciente a instrucciones de instalación y verificar la aplicación del vehículo.

www.ReeseProducts.com

CAUTION!

Read pages 2-3 of 30035 instructions before starting installation. Failure to do so could result in significant vehicle damage!

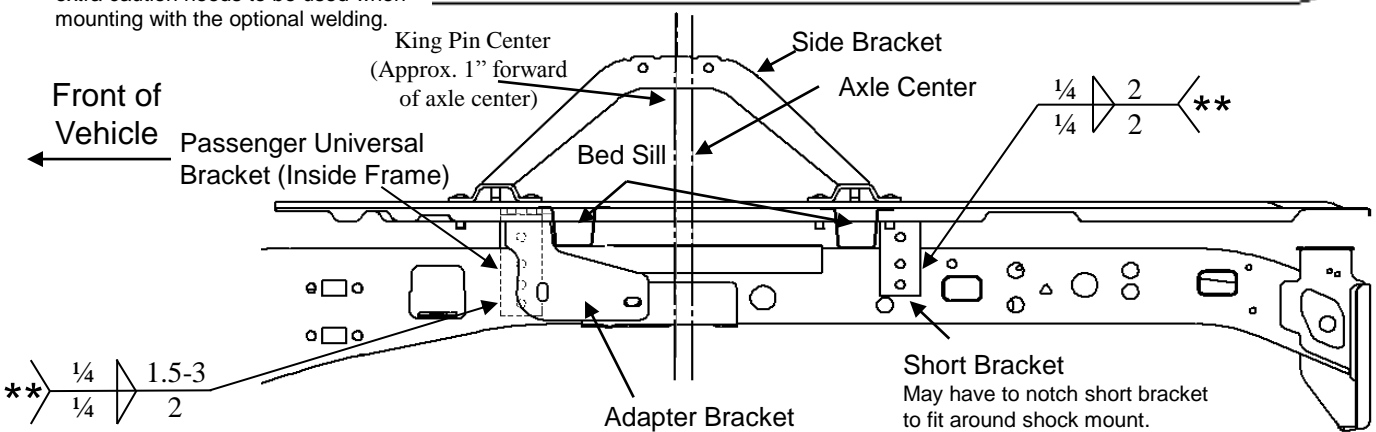
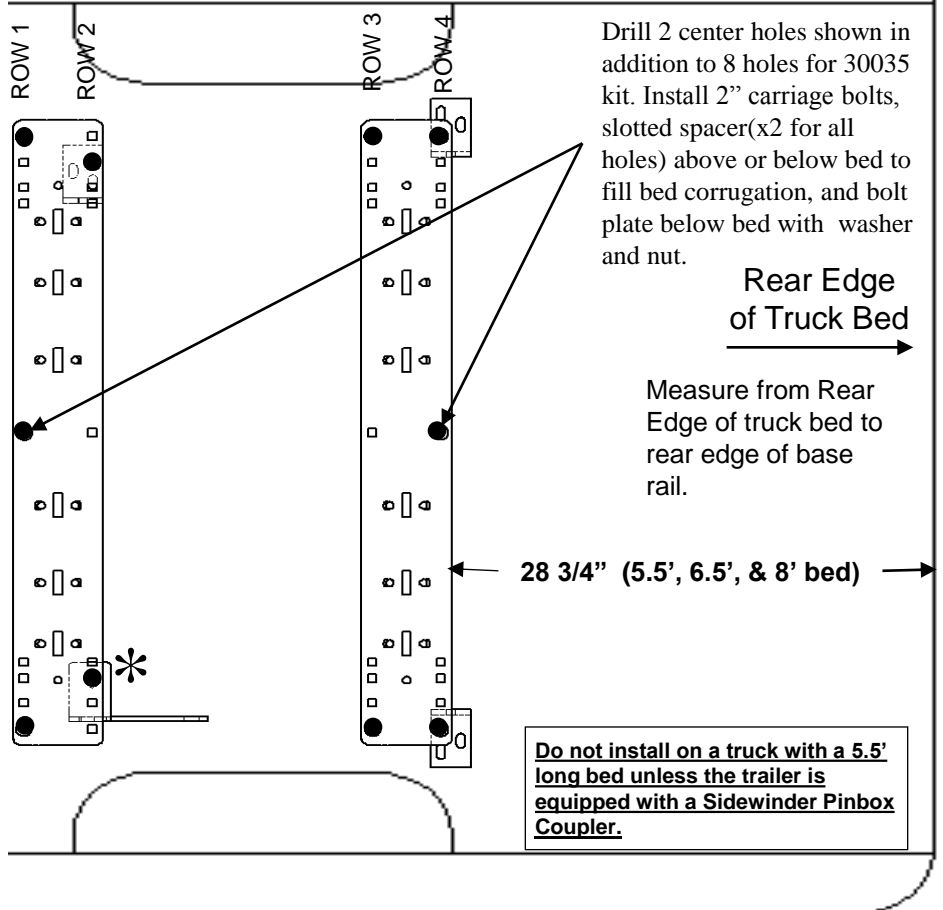
IMPORTANT: Contact between any steel components (spacer blocks, frame brackets, etc.) and aluminum bed may cause corrosion. Insure that the paint is not damaged on the brackets and truck bed to avoid corrosion. Repaint any areas where holes were drilled through the bed.

- Rib neck bolts will need to be pulled through large oval access holes on inside of frame with supplied pull wire.
- Do not drill thru both walls of frame. Drill only thru wall of frame to which bracket is mounted.

- The driver side front adapter bracket will be mounted to the frame at two attachment points. The forward adapter bracket attachment will be mounted to the frame using the circle block, which will fit in circular embossment on the inside of the frame. Fasten the forward attachment to the frame using the carriage bolt, conical washer and nut supplied. The conical washers and nuts will be attached on the outside of the bracket with the head of the carriage bolt on the inside of the frame. The rearward adapter bracket frame attachment will be mounted to the frame using the .25" x 1.50" x 3" block (inside of frame), .375" x 1.50" x 2" block between the adapter bracket and frame, carriage bolt, conical washer and nut supplied. The conical washers and nuts will be attached on the outside of the bracket with the head of the carriage bolt on the inside of the frame. Torque to 75 Ft.-Lbs.

- If there is difficulty torqueing the carriage bolt for the rail attachment to the adapter bracket in Row 2, the supplied 1/2"-13 x 2" hex head bolt may be used as a substitute.

- **Optional weld pattern. Due to tubular frames having thinner walls than previous C channel frames, extra caution needs to be used when mounting with the optional welding.



CAUTION!

Check for obstructions before drilling. Failure to do so could result in damaged fuel or brake lines, structural members, etc. CEQUENT PERFORMANCE PRODUCTS does its best to communicate tow vehicle manufacturer changes; however, it is ultimately the responsibility of the installer to prevent damage due to installation.

LIMITED TEN YEAR WARRANTY

47912 Halyard Dr, Suite100
Plymouth, MI 48170
Ph: (800) 632-3290

1.Limited Warranty. Cequent Performance Products, Inc. (“We” or “Us”) warrants to the original consumer purchaser only (“You”) that the product will be free from material defects in both material and workmanship for a period of five years, ordinary wear and tear excepted; provided that installation and use of the product is in accordance with product instructions. There are no other warranties, express or implied, including the warranty of merchantability or fitness for a particular purpose. If the product does not comply with this limited 5 year warranty, Your sole and exclusive remedy is that We will replace the product without charge to You and within a reasonable time or, at our option, refund the purchase price. This warranty is not transferable.

2. Limitations on the Warranty. This limited warranty does not cover: (a) normal wear and tear; (b) damage through abuse, neglect, misuse, or as a result of any accident or in any other manner; (c) damage from misapplication, overloading, or improper installation, including welds; (d) improper maintenance and repair; and (e) product alteration in any manner by anyone other than Us, with the sole exception of alterations made pursuant to product instructions and in a workmanlike manner.

3. Obligations of Purchaser. To make a warranty claim, contact Us, at our principal address of 47912 Halyard Dr., Suite 100, Plymouth, MI 48170, 1-800-632-3290, identify the product by model number, and follow the claim instructions that will be provided. Any returned product that is replaced or refunded by Us becomes our property. You will be responsible for return shipping costs. Please retain your purchase receipt to verify date of purchase and that You are the original consumer purchaser. The product and the purchase receipt must be provided to Us in order to process Your warranty claim.

4. Remedy Limits. Repair or replacement is Your sole remedy under this limited warranty or any other warranty related to the product. We shall not be liable for service or labor charges incurred in removing or replacing a product or any incidental or consequential damages of any kind.

5. Assumption of Risk. You acknowledge and agree that any use of the product for any purpose other than the specified use(s) stated in the product instructions is at Your own risk.

6. Governing Law. This limited warranty gives You specific legal rights, and You also may have other rights which vary from state to state. This limited warranty is governed by the laws of the State of Michigan, without regard to rules pertaining to conflicts of law. The state courts located in Oakland County, Michigan shall have exclusive jurisdiction for any disputes relating to this warranty.