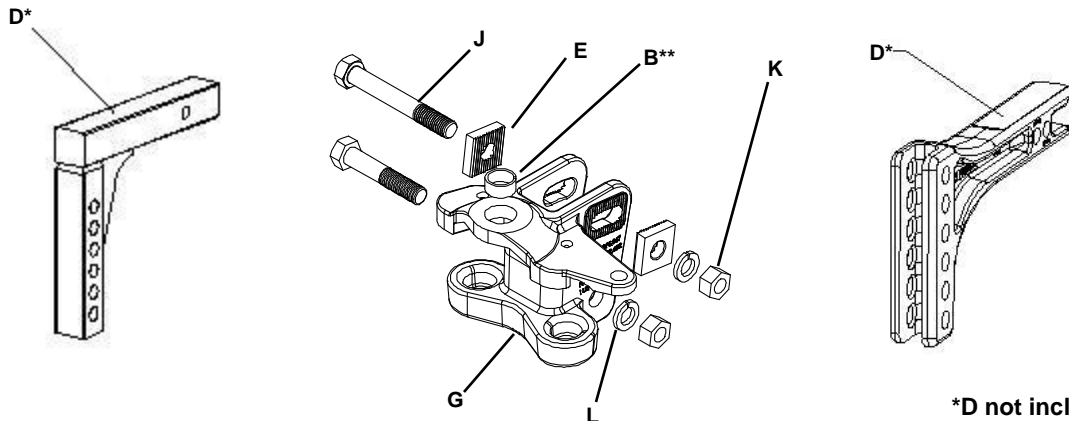


INSTALLATION INSTRUCTIONS

Trunnion Style Weight Distributing Kits

PLYMOUTH, MI.

HIGH-PERFORMANCE BALLMOUNT



***D not included in all kits**
****B not included in all kits**

INITIAL SET-UP

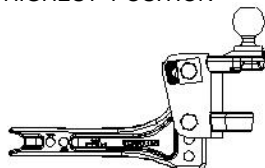
1. Line up tow vehicle and trailer on level pavement, in straight-ahead position, uncoupled.
2. Level the trailer and measure and record the distance from the ground to the top of the ball socket (X dimension Fig.1).
3. Select a hitch ball with a diameter that matches the trailer coupler size. The three most common sizes are 1-7/8", 2", and 2-5/16". Select ball with 1-1/4" or 1" threaded shank that is V-5 rated equal to or greater than trailer gross vehicle weight rating (GVWR).

WARNING: Raised balls usually have reduced load ratings. Ball rating MUST equal or exceed trailer GVWR.

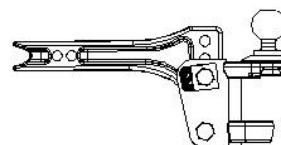
4. Attach hitch ball to the ballmount (G). Standard height hitch balls with 1-1/4" shanks are supplied with lock washers and nuts (If you must use a 1" shank ball, use bushing 58184 (B) to reduce hole size in ballmount (G) to 1"). Always use a lock washer and place washer next to nut. Unless otherwise specified by ball manufacturer torque ball nut to 450 ft/lbs for 1-1/4" nut, 250 ft/lbs for 1" nut.
5. Some installations may require a longer hitch bar (D). Extended bumper guards, pickup truck "caps", or rear mounted spare tires can limit turn angles unless a longer bar is used. Individual hitch bars (D) are available in various sizes.
6. Insert the hitch bar (D) into the hitch box and install a pull pin. Place ballmount (G) onto hitch bar and move up or down for proper height. Hitch bar may be used in either the up or down position (see below).

NOTE: Ball height should be greater than coupler height (measured in step 1) to compensate for vehicle "squat" (approximately 3/4" to 1").

HIGHEST POSITION



LOWEST POSITION

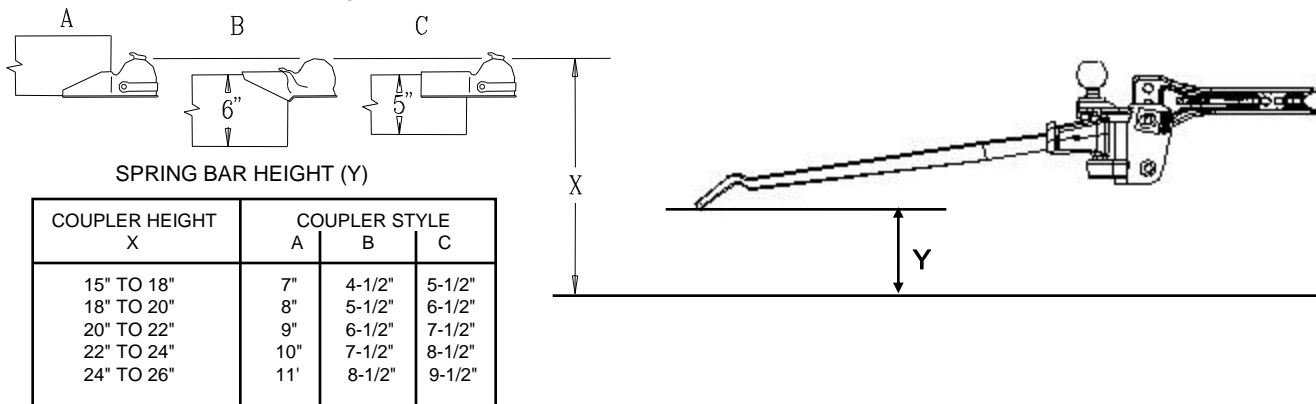


For Installation Assistance or Technical Help, Call 1-888-521-0510

For vehicles with air springs, air shocks or automatic leveling system, check vehicle owners manual. Unless otherwise specified, level the vehicle with the vehicle loaded as it will be when towing before setting ball height and attaching trailer.

PRELIMINARY BALLMOUNT ADJUSTMENT

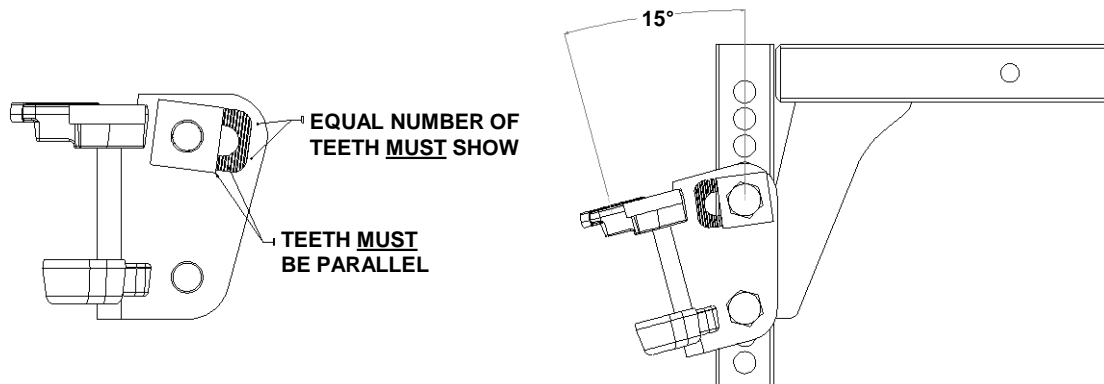
1. Install hardware in lower hole of ballmount as shown. Tighten nut enough to prevent easy rotation of ballmount.
2. Determine spring bar height "Y" using table below. Insert spring bar and trunnion into the ball mount. Swing bar outward to the same angle as when connected to trailer. Lift up on bar to remove slack. Tilt ball mount for proper "Y" dimension at end of spring bar.



*** ADD 1" TO Y DIMENSION FOR NON-INTEGRATED CAM SPRING BARS.**

3. The ballmount (G) is adjustable through a 15° angle range for proper spring bar adjustment. See chart above.

HIGH-PERFORMANCE BALLMOUNT ADJUSTMENT



Install longer 3/4" bolt (J) with two serrated washers (E) as shown. Install lock washer (L) and nut (K), but allow space for washers to be positioned and aligned. Align the washers as shown, hold in position, and tighten nut. Torque the two nuts (K) to 300 ft/lbs. If proper torque wrench is not available, torque nuts to 150 ft/lbs then turn nuts an additional 1/4 turn. Do not lubricate the threads.

OPTIONAL SHIM KIT

Use the shim provided when needed to fill any gap between the Weight Distributing Head shown below and the hitch bar used in the particular application.

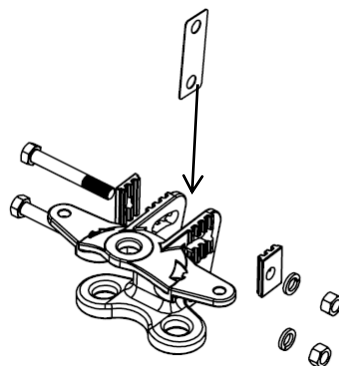
It is easier to install the shim from the top down as shown on the following page. In doing so, you will encounter one of three scenarios:

1. **Shim will go all the way down to line up with the bottom hole.** If this is the case, use the entire shim in the gap.

Note: It is conceivable that in some rare combinations, two shims could be used. In these cases, contact Customer Service at 800-632-3290 or 800-428-7303 for a free additional shim service kit #58207.

2. *Shim will not begin to fit between the head and hitch bar.* If this is the case, discard shim and continue installation. The existing gap is acceptable

3. *Shim will not go in far enough to reach bottom hole.* If this is the case, cut shim in half and use only the top half for the top bolt. Discard bottom half of shim.

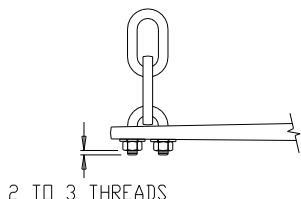


CAUTION: Washer **MUST BE** aligned parallel with teeth on ballmount. Re-check washer alignment after nut is tightened. Equal number of teeth must show at top and bottom. Teeth can be stripped when loaded if not properly aligned.

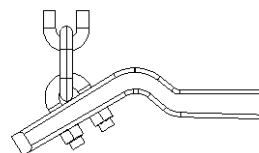
INITIAL HOOK UP

NOTE: Car and trailer should be loaded and ready for travel before final leveling.

1. Pick reference points on front wheel well. Measure and record distance to pavement.
Front wheel well to pavement _____
2. Attach chains to spring bars using U-bolts, flat washers, and locknuts. Let 2-3 threads protrude below locknut. Chain must not bind.



STANDARD SPRING BAR

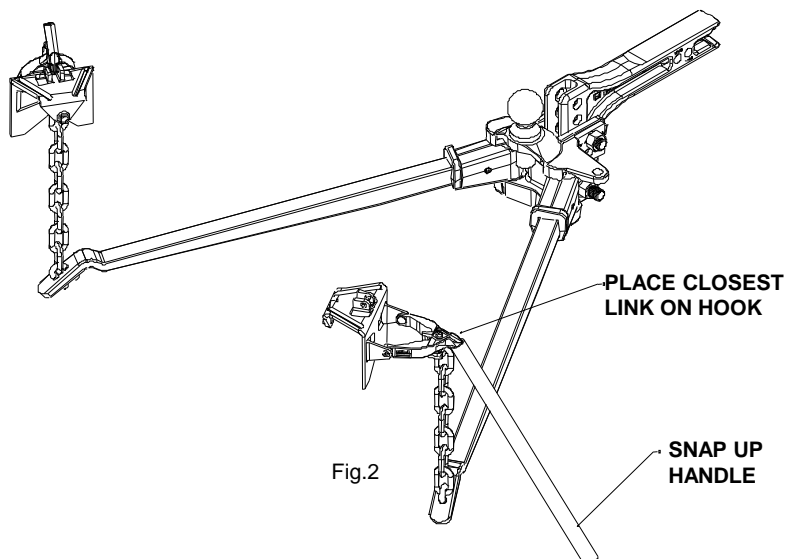


INTEGRATED CAM SPRING BAR

3. Using tongue jack lower coupler onto ball and close coupler latch.
4. Hold the spring bar away from you (trunnion ribbed side up). Set the bottom knob of the trunnion into the lower socket of the ballmount (G) and slide the knob into the top slot of the ballmount. The spring bars will fit on either side as they are not made right or left handed.

5. Position the snap up brackets on trailer "A" frame so that the chain on the end of the spring bar is approximately vertical. Turn 1/2 X 3-1/2 bolt until it contacts frame. Then tighten 1/4 turn with wrench. **DO NOT OVERTIGHTEN.**

6. Raise trailer tongue and rear of car with jack. Lower yoke of snap up bracket until it is parallel with the ground, and slip the closest link over the hook (If there are less than 5 links between hook and u-bolt adjust ballmount angle rearward, and repeat procedure). With the snap up bracket handle over the yoke, raise until yoke has passed "over-center". Slide the safety pin through the small hole to lock the yoke in place. Repeat for other side.



7. Lower jack. Re-measure front wheel well reference point. The front wheel well height should be equal to the original measurement. If the front wheel well height is higher than originally measured, reduce the number of links between the yoke hook and spring bar (4 links min.) and recheck the wheel well measurement. If the front wheel well is lower than originally measured, increase the number of chain links between the yoke hook and spring bar and recheck the wheel well measurement. If the original wheel well height is not achievable, it is preferred that the wheel well height is lower after the spring bars are loaded. If there are no more chain links for adjustment, the head assembly must be tilted forward. The trailer must be uncoupled and the upper bolt removed from the head assembly. The head is then pivoted up as appropriate. Reassemble and recheck the wheel well height.
8. A new term in the industry is ("FALR" – Front Axle Load Return). 100% FALR Means the front fender is returned to the preload position. That is our recommendation for best performance.

Check to see if trailer is level, if not, you may need to re-adjust ballmount angle and / or position.

Check to see that there is room for the bar and chain to move when turning a corner.

NOTE: Some surge brakes will not work with weight distributing hitches. Check with manufacturer. Do not use sway control with surge brakes.

LUBRICATION

1. Lubricate the ballmount sockets and spring bar trunnions to prevent rapid wear. When hooking-up, place one drop of oil on the top and a second drop on forward side of upper trunnion. Place a third drop on the rear side of lower trunnion before inserting trunnion into ballmount. Use a heavy oil or grease. Don't forget to lubricate the hitch ball with one or two drops also. Trunnions should be lubricated each towing day. It is not necessary to unhook the spring bars however, as there are two oil holes in the ballmount top plate for upper trunnion lubrication. Lubricate lower trunnions with one drop at contact point between trunnion and lower socket. Excess oil, dirt, and grit should be wiped out whenever trailer is uncoupled.

Installation Instructions For Snap Up Bracket

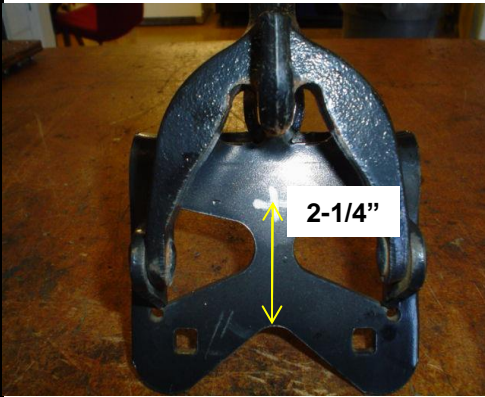
Provides For a Stronger Attachment to the Trailer Frame

TOOLS NEEDED:

Drill Bits: 7/16",
9/16" & 1/4"

⚠ WARNING:

Read all instructions before installing the additional bolt.
Failure to follow all of these instructions may result in death or serious injury!



- Installation of an additional bolt into the snap up bracket.

- If your bracket does not already have a hole in this location, mark the location of the hole to be drilled into the snap up bracket. Center the hole from left to right and place it 2-1/4" above the arc in the bracket. See the picture at left.

- Before the bracket is placed on the frame, drill a 9/16" hole in the bracket



- Place the bracket in the correct place on the frame as directed in the product instructions or replace it where it was if it had already been installed.

- Using the hole in the bracket as a guide, drill a 1/4" pilot hole. Be sure to stay centered in the bracket hole.

- One method to stay centered is to use the 9/16" drill first. Just put a small dimple into the frame with the 9/16" bit. Then finish drilling with the 1/4" drill bit and then a 7/16" drill bit to get the final hole. See pilot hole to the left.



- Install the 1/2" self tapping screw into the hole in the bracket and frame. Tighten it to 50 ft/lbs.

- Re-tighten the 1/2" set screw on the inside of the frame. Turn only 1/4 to 1/2 of a turn after making contact with the frame.

PARTS LIST	
QTY	DESCRIPTION
2	1/2" x 1.00" SELF TAPPING SCREW
1	INSTRUCTION SHEET

Self Tapping
Screw is available
in service kit
58459 if needed.

For Installation or Operation Support contact CPP Technical Service: 1-888-521-0510.

Cequent Performance Products, Inc.

47912 Halyard Dr. Suite 100
Plymouth, MI 48170

WARNINGS: LOADED BALL HEIGHT SHOULD NEVER BE GREATER THAN UNCOUPLED BALL HEIGHT. Front wheel overload and loss of rear wheel traction can result, and can lead to unstable handling, reduced braking ability, and a tendency to "jackknife" when turning and braking at the same time. IF LOADED BALL HEIGHT IS GREATER THAN UNCOUPLED HEIGHT, reduce take-up on spring bar chains and re-measure until proper height is obtained.

DO NOT TOW MULTIPLE TRAILERS: Do not attempt to tow any type of trailer behind another trailer. Towing multiple trailers may cause severe instability, loss of control and/or structural failure, and may result in vehicle accident, property damage and personal injury. Towing multiple trailers is illegal in many jurisdictions.

FRONT-WHEEL-DRIVE VEHICLES: DO NOT ATTEMPT TO HOOK-UP OR TOW WITH REAR WHEELS OF TOWING VEHICLE REMOVED. Severe structural damage to towing vehicle, hitch, and trailer may result. A towing vehicle/trailer combination cannot be controlled adequately unless the towing vehicle's rear wheels are carrying their share of the load.

MAINTENANCE: Keep trunnions and sockets in head assembly free of dirt and well lubricated. Excessive wear in this area may indicate overload or inadequate lubrication. Some elongation of socket openings "seat in" is normal.

Keep head assembly exterior clean, especially the trunnion sockets. Do not allow dirt or stones to lodge between trunnions and head.

Keep hitch painted to prevent rust and maintain a good appearance. (Do not paint over labels)

AT THE BEGINNING OF EVERY TOWING DAY:

- Add drop of oil at trunnion contact areas with ball mount.
- Clean ball and coupler socket and coat ball lightly with grease.
- Check spring bar chains and U-bolts for wear. Replace before they become worn halfway through.
- Check to see that all bolts are properly tightened and hitch pin and clip are securely in place.
- Check to see that electrical hookups are in working order, and that safety chains are connected.

TOWING TIPS

DRIVING: Good habits for normal driving need extra emphasis when towing. The additional weight affects acceleration and braking, and extra time should be allowed for passing, stopping, and changing lanes. Signal well in advance of a maneuver to let other drivers know your intentions. Severe bumps and badly undulating roads can damage your towing vehicle, hitch, and trailer, and should be negotiated at a slow steady speed. IF ANY PART OF YOUR TOWING SYSTEM "BOTTOMS" OUT, OR IF YOU SUSPECT DAMAGE MAY HAVE OCCURED IN ANY OTHER WAY, PULL OVER AND MAKE A THOROUGH INSPECTION. CORRECT ANY PROBLEMS BEFORE RESUMING TRAVEL.

CHECK YOUR EQUIPMENT: Periodically check the condition of all your towing equipment and keep it in top condition.

TRAILER LOADING: Proper trailer loading is important. Heavy items should be placed close to the floor near the trailer axle. The load should be balanced side-to-side and firmly secured to prevent shifting. Tongue weight should be about 10-15 percent of the gross trailer weight for most trailers. Too low a percentage of tongue weight will often produce a tendency to sway. Excess weight on the tongue can also lead to sway and damage hitch and / or tow vehicle.

SWAY CONTROLS: A sway control can help minimize the affects of sudden maneuvers, wind gusts, and buffeting caused by other vehicles. Use of a sway control is recommended for trailers with large surface areas, such as travel trailers.

TIRE INFLATION: Unless specified otherwise by the towing vehicle or trailer manufacturer, tires should be inflated to their maximum recommended pressure.

TOWING VEHICLE AND TRAILER MANUFACTURERS' RECOMMENDATIONS: Review the owners' manuals for your towing vehicle and trailer for specific recommendations, capacities, and requirements.

POLE TONGUE TRAILERS: If your trailer has a straight tongue (instead of an A-frame tongue), it will be necessary to use a pole tongue adapter. This adapter attaches to the trailer tongue, providing a place to attach the snap up brackets.

PASSENGERS IN TRAILERS: Trailers should NOT be occupied while being towed, under any circumstances.

TRAILER LIGHTS, TURN SIGNALS, AND ELECTRIC BRAKES: Always hook up trailer lights, turn signals, electric brakes and break-away switch connection (if so equipped) even for short trips.

REMOVE HITCH WHEN NOT TOWING: Remove hitch from towing vehicle receiver when not towing, to prevent contamination of head sockets, reduce chance of striking hitch on driveway ramps or other objects, and minimize damage in the event of a rear-end collision.

LIMITED WARRANTY

Hitches - Custom Receivers - Sway Controls

Towing Products warrants its Hitches, Custom Hitch Receivers, and Sway Controls from date of purchase against defects in material and workmanship under normal use and service, ordinary wear and tear excepted, for the ownership life of the original consumer purchaser.

Towing Products will replace FREE OF CHARGE any part which proves defective in material or workmanship when presented to any Towing Products dealer, Towing Products Warehouse or return to factory. TRANSPORTATION CHARGES PREPAID, at the address below. THIS WARRANTY IS LIMITED TO DEFECTIVE PARTS REPLACEMENT ONLY. LABOR CHARGES AND/OR DAMAGE INCURRED IN INSTALLATION OR REPLACEMENT AS WELL AS INCIDENTAL AND CONSEQUENTIAL DAMAGES CONNECTED THEREWITH ARE EXCLUDED.

Some states do not allow the exclusion or limitation of incidental or consequential damages, so the above limitation or exclusion may not apply to you.

Any damage to the Hitch, Custom Hitch Receiver, and Sway Control as a result of misuse, abuse, neglect, accident, improper installation, or any use violative of instructions furnished by us, WILL VOID THE WARRANTY.

This warranty gives you specific legal rights, and you may also have other rights which vary from state to state. In the event of a problem with warranty service or performance, you may be able to go to a small claims court, or a federal district court.

Cequent Performance Products, Inc.

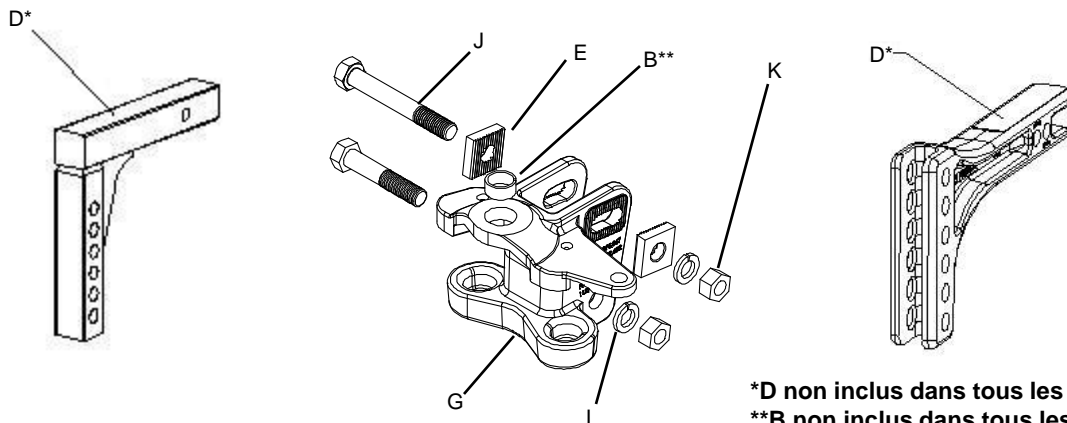
**47912 Halyard Dr. Suite 100
Plymouth, MI 48170**

INSTRUCTIONS D'INSTALLATION

Ensembles de répartition de charge de type à tourillons

PLYMOUTH, MI

MONTURE DE BOULE HAUTE PERFORMANCE



***D non inclus dans tous les ensembles**
****B non inclus dans tous les ensembles**

PRÉPARATIFS

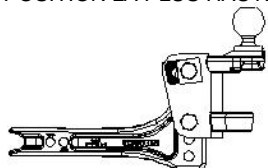
1. Aligner le véhicule et la remorque sur une surface pavée de niveau, selon une trajectoire en ligne droite, sans accouplement.
2. Mettre la remorque de niveau, puis mesurer et noter la distance entre le sol et le dessus du logement de boule (dimension X de la figure 1).
3. Sélectionner une boule d'attelage dont le diamètre correspond à la taille du coupleur. Les tailles les plus répandues sont 1 7/8, 2 et 2 5/16 po. Sélectionner une boule dotée d'une barre d'accouplement fileté de 1 1/4 ou 1 po de classe V-5 égale ou supérieure au poids nominal brut de la remorque (GVWR).

AVERTISSEMENT : Les boules surélevées ont généralement des capacités de charge réduites. La capacité de charge de la boule DOIT être égale ou supérieure au poids nominal brut de la remorque.

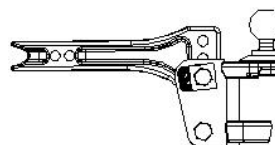
4. Fixer la boule d'attelage à sa monture (G). Les boules de hauteur standard avec barre d'accouplement de 1 1/4 po sont généralement livrées avec rondelles freins et écrous (Si l'on utilise une boule à tige de 1 po, utiliser la bague 58184 (B) pour réduire le diamètre du trou dans la monture de boule (G) à 1 po). Toujours utiliser une rondelle frein et la placer à la suite de l'écrou. Sauf indication contraire par le fabricant de la boule, serrer l'écrou de la boule au couple de 450 lb-pi pour un écrou 1 1/4 po, et au couple de 250 lb-pi pour un écrou de 1 po.
5. Certaines installations peuvent exiger une barre d'attelage plus longue (D). Des butoirs de pare-chocs allongés, des capots de caisse ou des pneus de rechange montés à l'arrière peuvent limiter l'angle de braquage si une barre allongée n'est pas utilisée. Les barres d'attelage (D) sont offertes dans des tailles variées.
6. Insérer la barre d'attelage (D) dans le boîtier d'attelage puis poser une goupille de verrouillage. Placer la monture de boule (G) sur la barre d'attelage et la déplacer vers le haut ou le bas pour obtenir la hauteur appropriée. La barre d'attelage peut être utilisée dans la position haute ou basse (voir ci-dessous).

REMARQUE : La hauteur de la boule doit être supérieure à celle du coupleur (mesurée à l'étape 1) pour compenser le "cabré" du véhicule. (environ 3/4 à 1 po).

POSITION LA PLUS HAUTE



POSITION LA PLUS BASSE

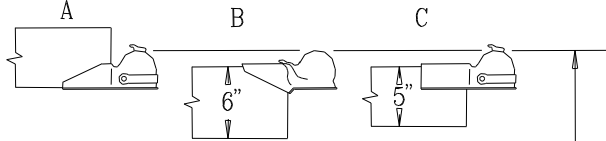


Pour obtenir de l'assistance pour l'installation ou un autre aspect technique, composer le 1-888-521-0510

Dans le cas de véhicules équipés de ressorts ou d'amortisseurs pneumatiques, ou encore d'un système de nivellement automatique, vérifier le manuel du propriétaire du véhicule. Sauf indication contraire, mettre le véhicule de niveau (chargé comme en situation de remorquage) avant de fixer la hauteur de la boule et d'accoupler la remorque.

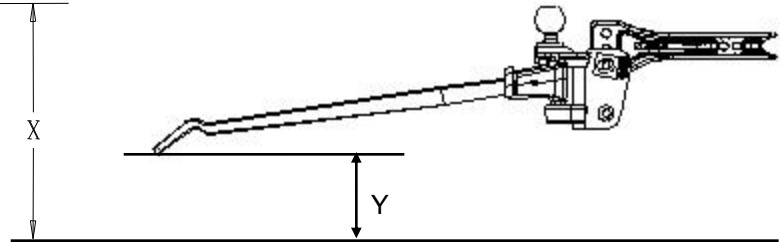
AJUSTEMENT PRÉLIMINAIRE DE LA MONTURE DE BOULE

1. Poser la visserie dans le trou inférieur de la monture, comme illustré. Serrer l'écrou de façon à prévenir toute rotation facile de la monture.
2. Déterminer la hauteur « Y » de la barre stabilisatrice à l'aide du tableau ci-dessous. Insérer la barre stabilisatrice et le tourillon dans la monture de boule. Faire pivoter la barre stabilisatrice vers l'extérieur selon le même angle que lorsque connectée à la remorque. Tirer sur la barre vers le haut pour réduire le mou. Incliner la monture de boule pour obtenir la dimension « Y » à l'extrémité de la barre stabilisatrice.



HAUTEUR DE LA BARRE STABILISATRICE (Y)

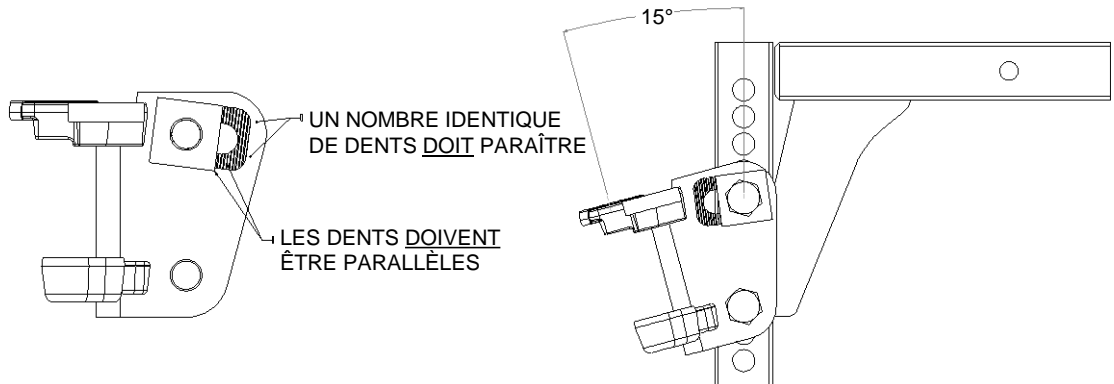
HAUTEUR COUPLEUR X	TYPE DE COUPLEUR		
	A	B	C
15 à 18 po	7"	4-1/2"	5-1/2"
18 à 20 po	8"	5-1/2"	6-1/2"
20 à 22 po	9"	6-1/2"	7-1/2"
22 à 24 po	10"	7-1/2"	8-1/2"
24 à 26 po	11"	8-1/2"	9-1/2"



*** AJOUTER 1 PO À LA DIMENSION Y POUR LES BARRES STABILISATRICES À CAMES NON INTÉGRÉES.**

3. La monture de boule (G) peut s'ajuster jusqu'à un angle de 15° pour permettre l'ajustement adéquat de la barre stabilisatrice. Voir le tableau ci-dessus.

AJUSTEMENT DE LA MONTURE DE BOULE HAUTE PERFORMANCE



Poser le boulon 3/4 po (J) et deux rondelles striées (E), comme illustré. Poser la rondelle frein (L) et l'écrou (K), mais laisser du jeu pour permettre de repositionner et aligner les rondelles. Aligner les rondelles comme illustré, les maintenir en position puis serrer l'écrou. Serrer tous les deux écrous (K) au couple de 300 lb-pi. Si une clé dynamométrique de cette capacité n'est pas disponible, serrer les écrous au couple de 150 lb-pi puis les serrer d'un 1/4 de tour additionnel. Ne pas lubrifier le filetage.

CALE FACULTATIVE

Utiliser la cale fournie lorsqu'il est nécessaire de combler un vide entre la tête du dispositif de répartition de charge (illustré ci-dessous) et la barre d'attelage utilisée dans une application particulière.

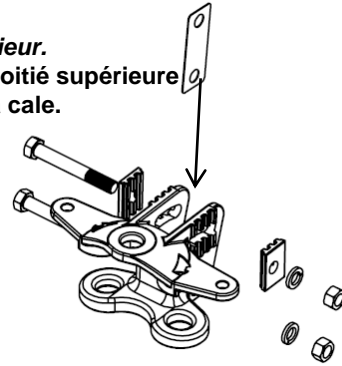
Il est plus facile de poser la cale du haut vers le bas, comme illustré à la page suivante. De cette manière, un des trois scénarios suivants se présentera :

1. **La cale ira jusqu'à bas pour s'aligner sur le trou inférieur.** Si c'est le cas, utiliser la totalité de la cale pour combler l'espace.

Nota : Dans certains cas rares, il est possible d'avoir à utiliser deux cales. On peut alors joindre le service à la clientèle au 800-632-3290 ou 800-428-7303 pour obtenir une cale supplémentaire (n° 58207).

2. La cale ne s'intercale pas entre la tête et la barre d'attelage. Si c'est le cas, simplement se départir de la cale et poursuivre l'installation. L'espace existant est acceptable.

3. La cale ne va pas suffisamment loin pour atteindre le trou inférieur. Si c'est le cas, couper la cale en deux et utiliser seulement la moitié supérieure pour le boulon du haut. Se départir de la moitié inférieure de la cale.

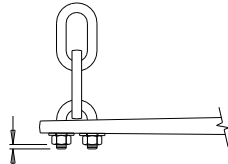


ATTENTION : La rondelle **DOIT ÊTRE** alignée parallèlement aux dents sur la monture de boule. Revérifier l'alignement de la rondelle une fois l'écrou serré. Un nombre égal de dents doit apparaître dans le haut et le bas. Les dents risquent de foirer sous la charge si l'alignement n'est pas correct.

ACCOUPLLEMENT INITIAL

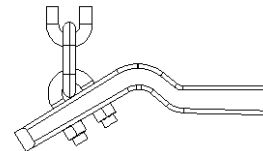
REMARQUE : Le véhicule et la remorque doivent être chargés et prêts pour le transport avant le nivellement final.

1. Identifier des points de référence sur le passage de roue avant. Mesurer et noter la distance jusqu'à la chaussée.
Passage de roue avant à la chaussée _____
2. Fixer les chaînes aux barres stabilisatrices à l'aide des boulons en U, des rondelles plates et des contre-écrous. Laisser 2 à 3 filets dépasser sous le contre-écrou. La chaîne ne doit pas s'emmêler.



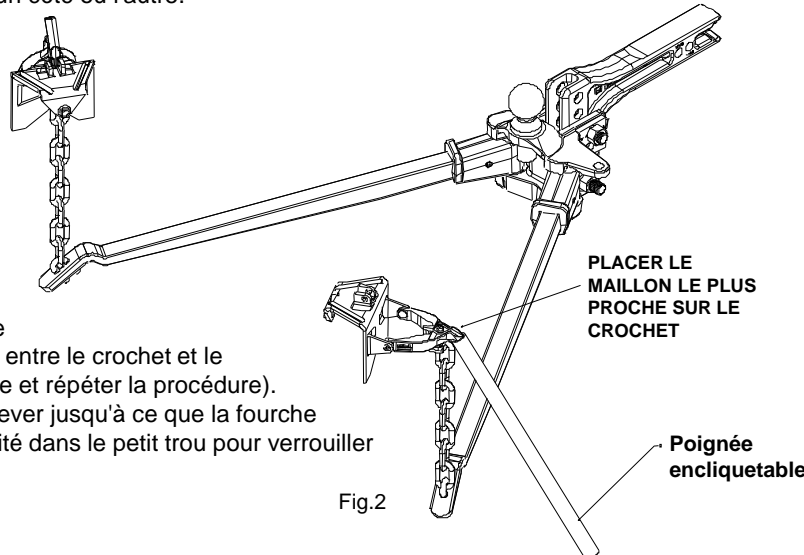
2 À 3 FILETS

BARRE STABILISATRICE STANDARD



BARRE STABILISATRICE À CAME INTÉGRÉE

3. À l'aide du vérin de timon, abaisser le coupleur sur la boule et fermer le verrou du coupleur.
4. Tenir la barre stabilisatrice à l'écart de soi (côté cannelé du tourillon vers le haut). Placer la tige inférieure du tourillon dans la douille inférieure de la monture de boule (G), et glisser la tige dans la fente supérieure de la monture de boule. Les barres stabilisatrices peuvent se poser indifféremment d'un côté ou l'autre.
5. Placer les supports encliquetables sur le cadre en "A" de la remorque de façon que la chaîne à l'extrémité de la barre stabilisatrice soit à peu près à la verticale. Visser le boulon 1/2 x 3 1/2 jusqu'à ce qu'il touche le cadre. Serrer ensuite de 1/4 de tour à l'aide d'une clé. **NE PAS SERRER EXCESSIVEMENT.**
6. Soulever la flèche de remorque et l'arrière du véhicule à l'aide d'un vérin. Abaisser la fourche du support encliquetable jusqu'à ce qu'il soit parallèle au sol, et glisser le maillon le plus proche au-dessus du crochet (s'il y a moins de 5 maillons entre le crochet et le boulon en U, ajuster l'angle de la monture de boule et répéter la procédure). Support encliquetable au-dessus de la fourche, élever jusqu'à ce que la fourche ait été « décentrée ». Glisser la goupille de sécurité dans le petit trou pour verrouiller la fourche en place. Répéter du côté opposé.



7. Abaisser le vérin. Mesurer de nouveau à partir du point de référence sur le passage de roue avant. La hauteur du passage de roue avant doit être égale ou inférieure à la mesure initiale. Si le passage de roue avant est plus haut, réduire le nombre de maillons entre le crochet de fourche et la barre (4 liens min.) et revérifier la mesure. Si le passage de roue avant est plus haut, réduire le nombre de maillons entre le crochet de fourche et la barre (5 liens min.) et revérifier la mesure. Si la hauteur du passage de roue initiale n'est pas atteignable, il est préférable que cette hauteur soit plus basse après que les barres de stabilisation auront été chargées. S'il ne reste plus de maillons pour l'ajustement, la tête doit être inclinée vers l'avant. La remorque doit être détachée du véhicule et le boulon supérieur retiré de la tête. On fait alors pivoter la tête vers le haut au besoin. Remonter l'ensemble et revérifier la hauteur du passage de roue.
8. Un nouveau terme fait son apparition dans l'industrie : (FALR – Front Axle Load Return). 100% FALR signifie que le pare-chocs avant est retourné en position de précharge. Nous recommandons ce réglage pour le meilleur rendement.

S'assurer que la remorque est de niveau, autrement il peut être nécessaire de rajuster l'angle de la monture de boule et/ou la position.

S'assurer que la barre et la chaîne disposent de suffisamment de dégagement pour tourner un coin.

REMARQUE : Certains freins à inertie ne fonctionnent pas avec des attelages à répartition de charge. Vérifier auprès du fabricant. Ne pas utiliser de dispositif de contrôle du roulis avec des freins à inertie.

LUBRIFICATION

1. Lubrifier les logements de monture de boule et les tourillons de barres stabilisatrices afin de prévenir l'usure excessive. Au moment de l'attelage, mettre une goutte d'huile sur le dessus et une deuxième goutte sur le côté avant du tourillon supérieur. Mettre une troisième goutte sur le côté arrière du tourillon inférieur avant d'insérer le tourillon dans la monture de boule. Utiliser une huile visqueuse ou de la graisse. Ne pas oublier de lubrifier aussi la boule d'attelage, une ou deux gouttes. Les tourillons doivent être lubrifiés chaque jour de remorquage. Il n'est cependant pas nécessaire de détacher les barres stabilisatrices, puisque deux orifices de lubrification se trouvent sur la plaque supérieure de la monture de boule pour la lubrification du tourillon supérieur. Lubrifier les tourillons inférieurs d'une goutte au point de contact entre le tourillon et le logement inférieur. L'huile excédentaire, la saleté et les résidus doivent être nettoyés à chaque fois que la remorque est dételée.

Instructions concernant le support encliquetable

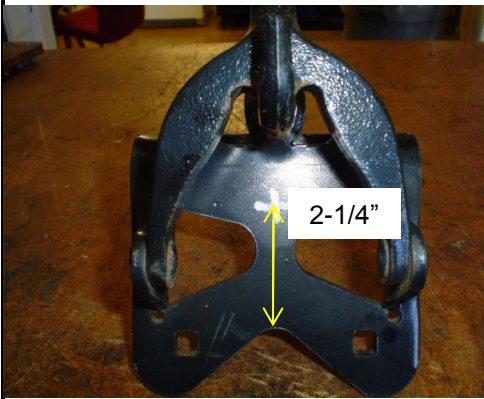
Procure un accouplement plus robuste au cadre de remorque

OUTILS REQUIS :

Mèches : 7/16",
9/16" et 1/4"

⚠ AVERTISSEMENT :

Veillez lire toutes les instructions avant de poser un boulon supplémentaire.
L'omission d'observer toutes les instructions peut causer des blessures sévères, voire la mort !



- Pose d'un boulon supplémentaire dans le support encliquetable.
- Si le support encliquetable n'est pas déjà doté d'un trou à cet endroit, marquer l'emplacement du trou à percer dans ce support. Centrer le trou sur l'axe gauche-droite et le positionner 2 1/4 po au-dessus de l'arc du support. Voir la photo à gauche.
- Avant de placer le support sur le cadre, percer un trou de 9/16 po dans le support.



- Placer le support à l'endroit approprié sur le cadre tel qu'indiqué dans le manuel du produit, ou le remettre à sa position initiale s'il a déjà été installé.
- En se servant du trou du support comme guide, percer un trou de départ de 1/4 po. S'assurer de rester bien centré dans le trou du support.
- Pour ce faire, on peut utiliser la mèche 9/16 po en premier. Laisser simplement une petite marque sur le cadre à l'aide de la mèche 9/16 po. Puis terminer le perçage à l'aide de la mèche 1/4 po puis celle de 7/16 po pour le trou final. Voir le trou de départ à gauche.



- Poser la vis autotaraudeuse de 1/2 po dans le trou du support et du cadre. Serrer à un couple de 50 lb-pi.
- Resserer la vis de blocage 1/2 po sur l'intérieur du cadre. Visser de 1/4 à 1/2 tour seulement après le contact avec le cadre.

NOMENCLATURE DES PIÈCES	
QTÉ	DESCRIPTION
2	Vis autotaraudeuse 1/2" x 1.00"
1	FEUILLET D'INSTRUCTIONS

Si nécessaire, une vis autotaraudeuse se trouve dans la trousse n° 58459.

Pour de l'assistance concernant l'installation ou le fonctionnement, contacter le service technique CPP : 1-888-521-0510.

Cequent Performance Products, Inc.
47912 Halyard Dr. Suite 100
Plymouth, MI 48170

AVERTISSEMENTS : LA HAUTEUR DE LA BOULE CHARGÉE NE PAS DÉPASSER LA HAUTEUR DE LA BOULE REMORQUE DÉTACHÉE. Une surcharge sur les roues avant et une perte de traction aux roues arrière peut en résulter, menant à un contrôle instable, à un freinage moins efficace et une tendance à la mise en portefeuille lors d'un virage et d'un freinage simultanés. SI LA HAUTEUR DE LA BOULE CHARGÉE EST SUPÉRIEURE À SA HAUTEUR NON CHARGÉE, allonger les chaînes des barres de stabilisation puis mesurer de nouveau jusqu'à obtenir la hauteur voulue.

NE PAS REMORQUER PLUS D'UNE REMORQUE À LA FOIS : Ne pas tenter de remorquer une remorque, quelle qu'elle soit, derrière une autre. Le remorquage simultané de plusieurs remorques peut causer une instabilité importante, une perte de contrôle et/ou une défaillance structurale, et mener à un accident provoquant des blessures sévères et des dommages à la propriété. Le remorquage de plusieurs remorques est prohibé par la loi en plusieurs endroits.

VÉHICULES À TRACTION AVANT : NE PAS TENTER D'ACCOUPLER OU REMORQUER UNE REMORQUE SI LES ROUES ARRIÈRE DU VÉHICULE SONT ENLEVÉES. Des dommages sévères au véhicule, à l'attelage et à la remorque peuvent en résulter. Une combinaison véhicule-remorque ne peut être contrôlée adéquatement que si les roues arrière du véhicule supportent la charge qui leur revient.

ENTRETIEN : Garder les tourillons et les réceptacles de la tête libres de saleté et bien lubrifiés. Une usure excessive à cet endroit peut signaler une surcharge ou une lubrification insuffisante. Certains allongements des orifices des réceptacles sont normaux.

Garder les surfaces extérieures de la tête propres, en particulier les réceptacles des tourillons. Ne pas laisser la saleté ni les cailloux se loger entre les tourillons et la tête.

Maintenir la peinture de l'attelage en bon état afin de prévenir la rouille et conserver une apparence agréable. (Ne pas peindre les étiquettes)

AVANT CHAQUE DÉPLACEMENT, DANS LA MÊME JOURNÉE :

- Ajouter une goutte d'huile sur les zones de contact entre le tourillon et la monture de boule.
- Nettoyer le réceptacle du coupleur et la boule, et enduire légèrement cette dernière avec de la graisse.
- Vérifier les signes d'usure sur les chaînes des barres stabilisatrices et les boulons en U. Les remplacer avant que l'usure ne les traverse de moitié.
- Vérifier que tous les boulons sont adéquatement serrés et que la cheville d'attelage et son agrafe sont bien verrouillées en place.
- S'assurer que toutes les connexions électriques sont en état de fonctionner, et que les chaînes de sécurité sont accrochées.

CONSEILS DE REMORQUAGE

CONDUITE : Il faut insister davantage sur les bonnes pratiques de conduite lors du remorquage. Le poids supplémentaire affecte l'accélération et le freinage, et il faut plus de temps pour dépasser, s'arrêter et changer de voie. Signaler bien à l'avance une manœuvre pour faire connaître vos intentions aux autres conducteurs. Les bosses accentuées et les routes en mauvais état peuvent endommager le véhicule, l'attelage et la remorque, il vaut mieux y circuler à basse vitesse constante. SI UNE PARTIE DU SYSTÈME DE REMORQUAGE HEURTE LA CHAUSSÉE OU SI L'ON SOUPÇONNE UN DOMMAGE D'UNE AUTRE FAÇON, IL FAUT SE TASSER ET PROCÉDER À UNE INSPECTION. CORRIGEZ TOUT PROBLÈME AVANT DE POURSUIVRE LE TRAJET.

VÉRIFIER L'ÉQUIPEMENT : Inspecter régulièrement la condition de l'ensemble de l'équipement de remorquage et garder celui-ci en parfaite condition.

CHARGEMENT DE LA REMORQUE : Il est important de bien charger la remorque. Placer les objets lourds près du plancher et de l'essieu de la remorque. La charge doit être équilibrée d'un côté à l'autre et solidement arrimée pour prévenir les déplacements. Le poids au timon doit représenter 10 à 15 pour cent du poids brut de la plupart des remorques. Un pourcentage de poids trop faible au timon peut déstabiliser la remorque. Un poids excessif au timon peut aussi causer une instabilité et endommager l'attelage et/ou le véhicule.

DISPOSITIFS DE STABILISATION : Les dispositifs anti-roulis peuvent réduire les effets des manœuvres brusques, des coups de vent et des secousses causées par d'autres véhicules. Nous les recommandons pour les remorques qui présentent de grandes surfaces comme dans le cas des caravanes, par exemple.

GONFLAGE DES PNEUS : Sauf indication contraire par le fabricant du véhicule ou de la remorque, les pneus doivent être gonflés à la pression maximale recommandée.

Recommandations des fabricants de la remorque et du véhicule de remorquage : Consulter les manuels du propriétaire du véhicule et de la remorque pour connaître les recommandations, les capacités de charge et les spécifications.

REMORQUES À TIMON RECTILIGNE : Si votre remorque est équipée d'un timon rectiligne (au lieu d'un timon triangulaire en A), il sera nécessaire d'utiliser un adaptateur pour timon rectiligne. Cet adaptateur se fixe sur le timon de la remorque et procure des points de fixation pour les supports encliquetables.

PASSAGER(S) DANS LA REMORQUE : AUCUN passager ne doit être toléré dans une remorque en déplacement.

FEUX DE REMORQUE, SIGNAUX DE DIRECTION ET FREINS ÉLECTRIQUES : Veiller à toujours brancher les feux de signalisation et de direction, les freins électriques et l'interrupteur de rupture d'attelage (le cas échéant), même dans le cas de courts trajets.

ENLEVER L'ATTELAGE S'IL NE SERT PAS : Retirer l'attelage du récepteur du véhicule lorsqu'il ne sert pas afin de prévenir la contamination des réceptacles de tête, réduire le risque de heurter l'attelage contre des rampes ou d'autres objets, et minimiser les dommages dans l'éventualité d'une collision par l'arrière.

GARANTIE LIMITÉE

Attelages - Récepteurs sur mesure - Dispositifs de stabilisation

Towing Products garantit ses attelages, ses récepteurs d'attelage sur mesure et ses dispositifs de stabilisation contre les vices de matériaux et de fabrication manifestés dans le cadre d'un usage et d'un entretien normaux (à l'exception de l'usure normale), et ce pendant toute la période de propriété de l'acheteur initial à compter de la date d'achat.

Towing Products remplacera SANS FRAIS toute pièce qui s'avère défectueuse suite à un vice de matériau ou de fabrication et qui est retournée au concessionnaire Towing Products, ou à l'entrepôt ou l'usine Towing Products. FRAIS DE TRANSPORT PRÉPAYÉS, à l'adresse ci-dessous. CETTE GARANTIE SE LIMITE AU REMPLACEMENT DES PIÈCES DÉFECTUEUSES SEULEMENT. ELLE NE COUVRE NI LES FRAIS DE MAIN-D'ŒUVRE, NI LES DOMMAGES SUBIS LORS DE L'INSTALLATION OU DU REMPLACEMENT, Y COMPRIS LES DOMMAGES ACCESSOIRES OU INDIRECTS.

Certains États ou provinces ne permettant pas d'exclure ou de restreindre les dommages accessoires ou indirects, il se peut que la restriction ou l'exclusion ci-dessus ne vous concerne pas.

Tout dommage à l'attelage, au récepteur d'attelage sur mesure ou au dispositif de stabilisation attribuable à une mauvaise utilisation, un usage abusif, la négligence, un accident, une installation inadéquate, ou à toute utilisation contraire aux instructions fournies par nous, ANNULERA LA GARANTIE.

Certains droits particuliers vous sont dévolus en vertu de la présente garantie et peuvent s'accompagner d'autres droits qui varient selon votre lieu de résidence. Dans l'éventualité d'un problème avec le service de la garantie ou le rendement du produit, il se peut que vous puissiez recourir à la cour des petites créances ou une cour d'une autre juridiction.

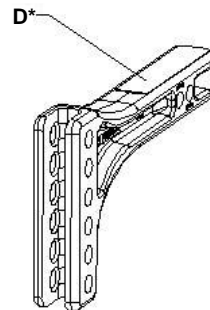
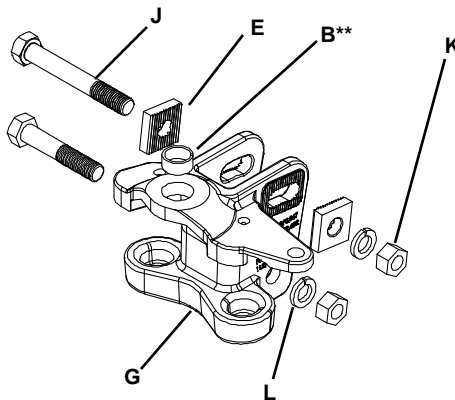
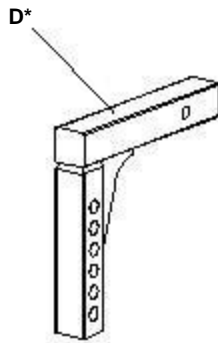
Cequent Performance Products, Inc.
47912 Halyard Dr. Suite 100
Plymouth, MI 48170

INSTRUCCIONES DE INSTALACIÓN

Estilo muñón Kits de distribución de peso

PLYMOUTH, MI.

MONTAJE ESFÉRICO DE ALTO RENDIMIENTO



* D no se incluye en todos los kits
**B no se incluye en todos los kits

INSTALACIÓN INICIAL

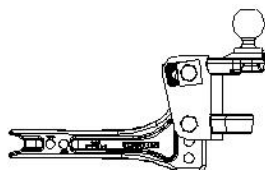
1. Alinee el vehículo de remolque y el remolque sobre el pavimento en posición recta hacia el frente, sin acoplar.
2. Nivele el remolque, mida y registre la distancia desde el piso hasta la parte superior del receptáculo de la esfera (dimensión X, Fig. 1).
3. Seleccione una esfera para enganche con un diámetro que corresponda al tamaño del acoplador del remolque. Los tres tamaños más comunes son 1-7/8", 2" y 2-5/16". Seleccione la esfera con una espiga roscada de 1-1/4" o 1" que tenga calificación V-5 o igual o superior a la calificación del peso bruto del vehículo del remolque (GVWR).

ADVERTENCIA: Las esferas levantadas por lo general tienen calificaciones de carga reducidas. La calificación de la esfera DEBE ser igual o superior a la GVWR del remolque.

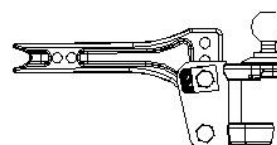
4. Instale la esfera del enganche en el montaje esférico (G). Las esferas para enganche de altura estándar con espigas de 1-1/4" se suministran con arandelas de seguridad y tuercas (Si tiene que usar una esfera con espiga de 1", use un cojinete 58184 (B) para reducir el tamaño del orificio en el montaje esférico (G) a 1"). Siempre utilice una arandela de seguridad y coloque la arandela al lado de la tuerca. A menos que el fabricante de la esfera especifique lo contrario, apriete a torsión la tuerca de la esfera a 450 pies/lbs para la tuerca de 1-1/4" y 250 pies/lbs para la tuerca de 1".
5. Algunas instalaciones pueden requerir una barra de enganche más larga (D). Los protectores de parachoques extendidos, las "tapas" de camionetas pickup o las llantas de repuesto montadas en la parte posterior pueden limitar los ángulos de giro, a menos que se use una barra más larga. Las barras de enganche individuales (D) vienen en varios tamaños.
6. Inserte la barra de enganche (D) dentro de la caja de enganche e instale un pasador de halar. Coloque el montaje esférico (G) sobre la barra de enganche y suba o baje para colocar a la altura adecuada. La barra de enganche se puede usar en la posición superior o inferior (ver abajo).

NOTA: La altura de la esfera debe ser mayor que la altura del acoplador (medida en el paso 1) para compensar el "agache" del vehículo (aproximadamente 3/4 "a 1").

POSICIÓN MÁS ALTA



POSICIÓN MÁS BAJA

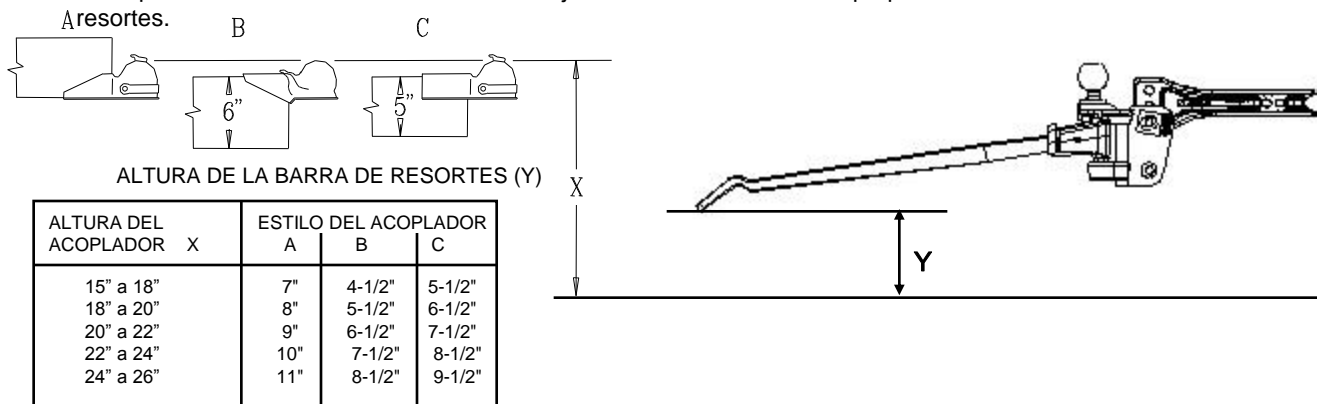


Para asistencia con la instalación o ayuda técnica, llame al 1-888-521-0510

Para vehículos con resortes neumáticos, amortiguadores o un sistema de nivelación automática, revise el manual del propietario del vehículo. A menos que se especifique lo contrario, nivele el vehículo con el vehículo cargado como lo hará cuando remolque antes de fijar la altura de la esfera e instalar el remolque.

AJUSTE PRELIMINAR DEL MONTAJE ESFÉRICO

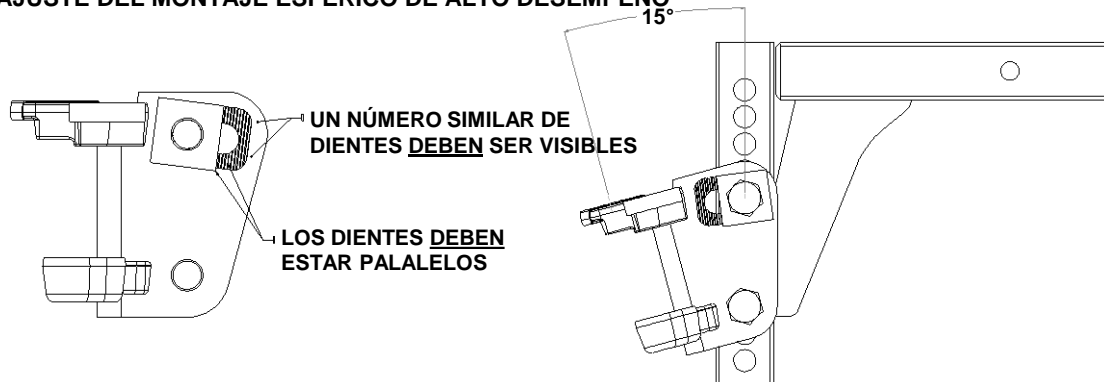
1. Instale las piezas en el orificio inferior del montaje esférico como se muestra. Apriete la tuerca lo suficiente para evitar la rotación fácil del montaje esférico.
2. Determine la altura de la barra de resortes en "Y" utilizando la siguiente tabla. Inserte la barra de resortes y el muñón en el montaje esférico. Gire la barra hacia fuera en el mismo ángulo en el que se conectó al remolque. Levante la barra para retirar el sobrante. Inclíne el montaje esférico a la dimensión apropiada de la "Y" al final de la barra de



***AGREGUE 1" A LA DIMENSIÓN Y PARA BARRAS DE RESORTES CON LEVA NO INTEGRADA.**

3. El montaje esférico (G) se ajusta a través de un rango de ángulo de 15° para un ajuste apropiado de la barra de resortes. Ver tabla arriba.

AJUSTE DEL MONTAJE ESFÉRICO DE ALTO DESEMPEÑO



Instale el perno 3/4" más largo (J) con dos arandelas dentadas (E) como se muestra. Instale la arandela de seguridad (L) y la tuerca (K), pero permita espacio para que las arandelas se posicionen y alineen. Alinee las arandelas como se muestra y apriete a mano la tuerca. Apriete a torsión las dos tuercas (K) a 300 pies/libras. Si no hay una llave de torsión del tamaño correcto disponible, apriete las tuercas a 150 pies/lbs., luego apriete las tuercas un giro adicional de 1/4. No lubrique las roscas.

KIT DE CUÑAS OPCIONALES

Use la cuña que se suministra cuando sea necesaria para llenar cualquier vacío entre la cabeza de distribución de peso como se muestra a continuación y la barra de enganche utilizada en la aplicación particular.

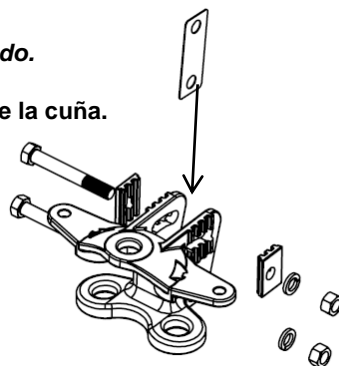
Es más fácil instalar la cuña de arriba hacia abajo como se muestra en la página siguiente. Al hacerlo, encontrará uno de tres escenarios:

1. La cuña pasará completamente hasta el fondo hasta alinearse con el orificio inferior. Si este es el caso, utilice la totalidad de la cuña en el vacío.

Nota: Es posible que en algunas combinaciones poco frecuentes se puedan usar dos cuñas. En estos casos, póngase en contacto con Servicio al Cliente al 800-632-3290 o 800-428-7303 para un kit de cuñas adicionales gratis # 58207

2. La cuña empezará a no encajar entre la cabeza y la barra de enganche. Si este es el caso, deseche la cuña y continúe la instalación. No es aceptable que quede un vacío.

3. La cuña no entrará lo suficiente como para llegar al orificio del fondo. Si este es el caso, corte la cuña por la mitad y use únicamente la mitad superior para el perno superior. Deseche la mitad inferior de la cuña.

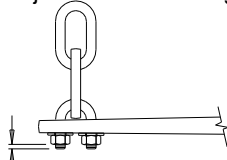


PRECAUCIÓN: La arandela **DEBE ESTAR** alineada paralela con los dientes en el montaje esférico. Vuelva a revisar la alineación de la arandela después de apretar la tuerca. Deben verse igual número de dientes arriba y abajo. Los dientes pueden desgastarse cuando la carga no está correctamente alineada.

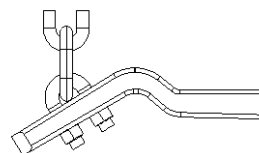
INTALACIÓN INICIAL

NOTA: El vehículo y el remolque se deben cargar y estar listos para el viaje antes de la nivelación final.

1. Elija puntos de referencia en los receptáculos de la rueda frontal. Mida y registre la distancia hasta el pavimento. Receptáculo de la rueda frontal hasta el pavimento _____
2. Conecte las cadenas a las barras de resortes con pernos en U, arandelas planas y tuercas de seguridad. Deje que 2-3 roscas sobresalgan por debajo de tuerca de seguridad. La cadena no debe trabarse.



2 a 3 roscas

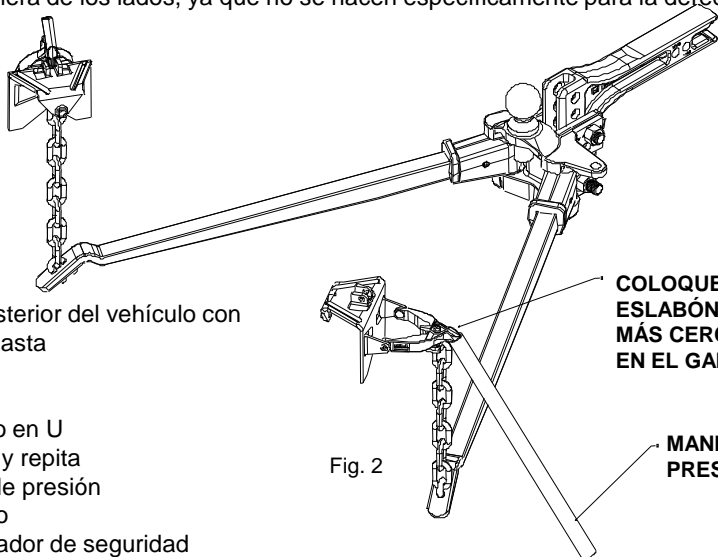


BARRA DE RESORTES ESTÁNDAR

BARRA DE RESORTES CON LEVA INTEGRADA

3. Usando un gato para remolques, baje el acoplador sobre la esfera y cierre el pasador del acoplador.
4. Sostenga la barra de resortes lejos de usted (el lado acanalado del muñón hacia arriba). Coloque la perilla inferior del muñón en el receptáculo más bajo del montaje esférico y deslice la perilla en la ranura superior del montaje esférico. Las barras de resortes se adaptarán en cualquiera de los lados, ya que no se hacen específicamente para la derecha o izquierda.

5. Coloque los soportes de presión sobre el remolque. Coloque en forma de "A" de modo que la cadena en el extremo de la barra de resortes esté aproximadamente vertical. Gire el perno de 1/2 X 3-1/2 hasta que haga contacto con el bastidor. Luego apriete 1/4 de giro con la llave. **NO APRIETE EN EXCESO.**



6. Levante la horquilla del remolque y la parte posterior del vehículo con el gato. Baje el yugo del soporte de presión hasta que quede paralelo con el suelo, y deslice el eslabón más cercano sobre el gancho (Si hay menos de 5 eslabones entre el gancho y perno en U ajuste el ángulo posterior del montaje esférico y repita el procedimiento). Con la manija del soporte de presión por encima del yugo, levante hasta que el yugo haya pasado "sobre el centro". Deslice el pasador de seguridad a través del orificio pequeño para bloquear el yugo en su lugar. Repita para el otro lado.

7. Baje el gato. Vuelva a medir el punto de referencia del receptáculo de la rueda frontal. La altura del receptáculo de la rueda frontal debe ser igual que la medida original. Si la altura del receptáculo de la rueda frontal es mayor que la medida original, reduzca el número de eslabones entre el gancho del yugo y la barra de resorte (4 eslabones mínimo) y vuelva a revisar la medida del receptáculo de la rueda. Si el receptáculo de la rueda frontal es más bajo que la medida original, aumente el número de eslabones entre el gancho del yugo y la barra de resortes y vuelva a revisar la medida del receptáculo de la rueda. Si la altura del receptáculo de la rueda original no se puede alcanzar, es preferible que la altura del receptáculo de la rueda esté más baja después de que se carguen las barras de resortes. Si no hay más eslabones de cadena para ajuste, el ensamble de la cabeza se debe inclinar hacia adelante. El remolque se debe desacoplar y el perno superior retirar del ensamble de la cabeza. Luego la cabeza se gira hacia arriba según sea necesario. Vuelva a ensamblar y a revisar la altura del receptáculo de la rueda.
8. Un nuevo término en la industria es ("FALR" - Retorno de carga el eje frontal, por sus siglas en inglés). 100% FALR significa que el guardabarros delantero se devuelve a la posición de precarga. Esa es nuestra recomendación para un mejor rendimiento.

Revise si el remolque está nivelado, de lo contrario, podría ser necesario volver a ajustar el ángulo y/o la posición del montaje esférico.

Compruebe que haya espacio para que la barra y la cadena se muevan al girar una esquina.

NOTA: Algunos frenos de inercia no funcionarán con los enganches de distribución de peso. Consulte con el fabricante. No use el control de oscilación con frenos de inercia.

LUBRICACIÓN

1. Lubrique los receptáculos del montaje esférico y los muñones de la barra de resortes para evitar desgaste innecesario. Cuando esté realizando la conexión, coloque una gota de aceite en la parte superior y una segunda gota en la parte delantera del muñón superior. Coloque una tercera gota en la parte posterior del muñón inferior antes de insertar el muñón en el montaje esférico. Utilice un aceite espeso o grasa. No olvide lubricar la esfera del enganche con una o dos gotas también. Los muñones se deben lubricar cada día que se remolque. Sin embargo, no es necesario desenganchar las barras de resortes, ya que hay dos orificios para aceite en la placa superior del montaje esférico para la lubricación del muñón superior. Lubrique los muñones inferiores con una gota en el punto de contacto entre muñón y el receptáculo inferior. Se debe limpiar el exceso de aceite y suciedad cada vez que el remolque se desacople.

Instrucciones de instalación para el soporte de presión

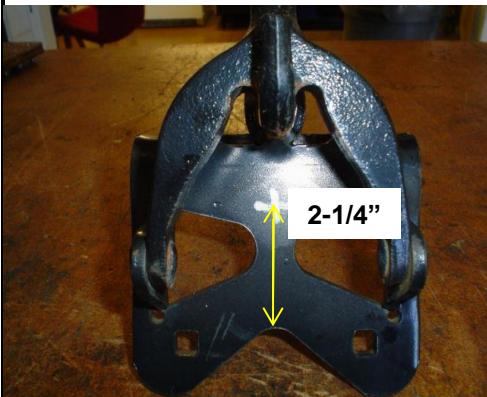
Ofrece una unión más fuerte al bastidor del remolque

HERRAMIENTAS NECESARIAS:

Brocas de taladro:
7/16", 9/16" y 1/4"

⚠️ ADVERTENCIA:

Lea todas las instrucciones antes de instalar el perno adicional.
¡No seguir estas instrucciones puede resultar en la muerte o en lesiones serias!



• Instalación de un perno adicional en el soporte de presión.

• Si el soporte no tiene ya un orificio en esta ubicación, marque la ubicación del orificio a perforar dentro del soporte de presión. Centre el orificio de izquierda a derecha y coloque a 2-1/4" por encima del arco en el soporte. Ver la imagen de la izquierda.

• Antes de colocar el soporte en el bastidor, perforo un orificio de 9/16" en el soporte.



• Coloque el soporte en el lugar correcto en el bastidor como se indica en las instrucciones del producto o vuelva a colocarlo donde estaba si ya se había instalado.

• Usando el orificio en el soporte como guía, perforo un orificio piloto de 1/4". Asegúrese de mantenerlo centrado en el orificio del soporte.

• Un método para que permanezca centrado es utilizar el taladro de 9/16" primero. Tan solo haga una pequeña depresión en el bastidor con la broca de 9/16". Luego, termine de perforar con la broca de 1/4" y luego a de 7/16" para obtener el orificio final. Ver agujero piloto a la izquierda.



• Instale el tornillo auto-roscante de 1/2" en el orificio del soporte y el bastidor. Apriete a 50 pies-lbs.

• Vuelva a apretar el tornillo de fijación de 1/2" en el interior del bastidor. Gire únicamente de 1/4 a 1/2 giro después de hacer contacto con el bastidor.

LISTA DE PARTES	
CANT.	DESCRIPCIÓN
2	TORNILLO AUTO-ROSCANTE, 1/2" x 1.00"
1	HOJA DE INSTRUCCIONES

El tornillo auto-roscante viene con el kit de servicio 58459 si es necesario.

Para instalación u operación contacte al Servicio Técnico de CPP: 1-888-521-0510.

Cequent Performance Products, Inc.

47912 Halyard Dr. Suite 100
Plymouth, MI 48170

ADVERTENCIAS: LA ALTURA DE LA ESFERA CARGADA NUNCA DEBE SER SUPERIOR A LA ALTURA DE LA ESFERA DESACOPLADA. Puede resultar una sobrecarga de la rueda frontal y pérdida de la tracción de la rueda trasera, y resultar en una manipulación inestable, menor capacidad para frenar y una tendencia a "colear" al girar y frenar al mismo tiempo. SI LA ALTURA DE LA ESFERA CARGADA ES MAYOR QUE LA ALTURA NO ACOPLADA reduzca la distancia en las cadenas de la barra de resortes y vuelva a medir hasta que se alcance la altura correcta.

NO HALE REMOLQUES MÚLTIPLES: No intente remolcar ningún tipo de remolque detrás de otro. Llevar varios remolques puede causar grave inestabilidad, pérdida del control y/o falla estructural y puede resultar en accidente del vehículo, daños a la propiedad y lesiones personales. Llevar múltiples remolques es ilegal en muchas jurisdicciones.

VEHÍCULOS CON TRACCIÓN DELANTERA: NO INTENTE ENGANCHAR O REMOLCAR SIN LAS RUEDAS TRASERAS DEL VEHÍCULO DE REMOLQUE. Pueden resultar graves daños estructurales al vehículo de remolque, enganche y remolque. Una combinación de vehículo de remolque/remolque no se puede controlar correctamente a menos que las ruedas posteriores del vehículo de remolque estén soportando su parte de la carga.

MANTENIMIENTO: Mantenga los muñones y receptáculos en el ensamble de la cabeza libres de suciedad y bien lubricados. El desgaste excesivo en esta área puede indicar sobrecarga o lubricación inadecuada. Cierta elongación del asentamiento de las aberturas del receptáculo es normal.

Mantenga el exterior del ensamble de la cabeza limpio, particularmente los receptáculos de los muñones. No permita que la suciedad o piedras se alojen entre los muñones y la cabeza.

Mantenga pintado el enganche para evitar el óxido y mantener un buen aspecto. (No pinte sobre las etiquetas)

AL INICIO DE CADA DÍA DE REMOLQUE:

- Agregue una gota de grasa a las áreas de contacto de los muñones con el montaje esférico.
- Limpie la esfera y el receptáculo del acoplador y cubra la esfera ligeramente con grasa.
- Revise las cadenas de la barra de resortes y los pernos en U en cuanto al desgaste. Reemplace antes de que se gasten hasta la mitad.
- Revise que todos los pernos estén correctamente apretados y el pasador del enganche y clip estén seguros en su lugar.
- Revise para ver que las conexiones eléctricas estén funcionando y que las cadenas de seguridad estén conectadas.

SUGERENCIAS PARA EL REMOLQUE

CONDUCCIÓN: Los buenos hábitos para manejar normalmente requieren un énfasis adicional al remolcar. El peso adicional afecta la aceleración y frenado, y se debe permitir tiempo adicional para pasar, frenar y cambiar de carriles. Indique con anticipación una maniobra para informar a otros conductores de sus intenciones. Los impactos severos y las carreteras con muchas ondulaciones pueden dañar su vehículo de remolque, enganche y remolque, y se debe conducir a una velocidad baja constante. SI CUALQUIERA DE LAS PARTES DE SU SISTEMA DE REMOLQUE SE CAE O SI USTED SOSPECHA QUE HAN OCURRIDO DAÑOS DE CUALQUIER CLASE, SÁLGASE DE LA CARRETERA Y HAGA UNA REVISIÓN A FONDO. CORRIJA CUALQUIER PROBLEMA ANTES DE SEGUIR DESPLAZÁNDOSE.

REVISE SU EQUIPO: Revise con frecuencia el estado de todo su equipo de remolque y manténgalo en condiciones óptimas.

CARGA DEL REMOLQUE: La carga correcta del remolque es importante. Los artículos pesados se deben colocar cerca al piso y al eje del remolque. La carga se debe balancear de lado a lado y asegurarse firmemente para evitar los movimientos. El peso de la horquilla debe ser 10-15 por ciento del peso bruto del remolque para la mayoría de los remolques. Un porcentaje muy bajo de peso de la horquilla producirá una tendencia a oscilar. El peso excesivo en la horquilla también puede resultar en una oscilación y daño al enganche y/o al vehículo de remolque.

CONTROLES DE OSCILACIÓN: Un control de oscilación puede ayudar a minimizar los efectos de maniobras repentinas, ráfagas de viento y sacudidas causadas por otros vehículos. Se recomienda un control de oscilación para remolques con áreas grandes de superficie, como remolques de viaje.

INFLADO DE LLANTAS: A menos que se especifique lo contrario por parte del fabricante del vehículo de remolque, las llantas se deben inflar a la presión máxima recomendada.

RECOMENDACIONES DEL FABRICANTE DEL REMOLQUE Y VEHÍCULO DE REMOLQUE: Revise los manuales del propietario para su remolque y vehículo de remolque para las recomendaciones específicas, capacidades y requisitos.

REMOLQUES DE HORQUILLA TIPO MÁSTIL: Si su remolque tiene una horquilla recta (en vez de una horquilla en forma de A), será necesario usar un adaptador de horquilla tipo mástil. Este adaptador se instala en la horquilla del remolque, lo que le permite un lugar para instalar los soportes a presión.

PASAJEROS EN LOS REMOLQUES: Los remolques NO se deben ocupar mientras se remolcan, bajo ninguna circunstancia.

LUCES, DIRECCIONALES Y FRENOS ELÉCTRICOS DEL REMOLQUE: Siempre instale las luces del remolque, las direccionales, los frenos eléctricos y la conexión del interruptor de liberación (si viene equipado) incluso para viajes cortos.

RETIRE EL ENGANCHE CUANDO NO ESTÉ REMOLCANDO: Retire el enganche del receptor del vehículo de remolque cuando no esté remolcando, para evitar la contaminación de los receptáculos de la cabeza, reducir la probabilidad de golpear el enganche en las rampas de los estacionamientos u otros objetos, y reducir daños en el caso de una colisión por detrás.

GARANTÍA LIMITADA

Enganches - Receptores a la medida - Controles de oscilación

Towing Products garantiza sus enganches, receptores de enganche hechos a la medida, y controles de oscilación desde el día de la compra contra defectos de materiales y mano de obra bajo condiciones normales de uso y servicio, excepto por el desgaste normal, de por vida de propiedad al comprador consumidor original.

Towing Products reemplazará SIN CARGO cualquier parte que resulte defectuosa en los materiales o mano de obra cuando se presente a cualquier distribuidor de Towing Products, bodega de Towing Products o se devuelva a la fábrica. CARGOS PREPAGADOS DE TRANSPORTE, en la siguiente dirección. ESTA GARANTÍA SE LIMITA SOLAMENTE AL REEMPLAZO DE PARTES DEFECTUOSAS. SE EXCLUYEN LOS CARGOS DE MANO DE OBRA Y/O DAÑOS INCURRIDOS EN LA INSTALACIÓN O REEMPLAZO ASÍ COMO LOS DAÑOS CONSECUCIONALES Y INCIDENTALES RELACIONADOS.

Algunos estados no permiten la exclusión o limitación de los daños incidentales o consecucionales, por lo que la exclusión o limitación anterior podría no corresponderle.

Cualquier daño al enganche, receptor de enganche hecho a la medida y control de oscilación como resultado del mal uso, abuso, negligencia, accidente, instalación incorrecta, o cualquier uso en contra de las instrucciones entregadas por nosotros INVALIDARÁ LA GARANTÍA.

Esta garantía le otorga derechos legales. Usted también podría tener otros derechos que varían de estado a estado. En el evento de un problema con el servicio de garantía o desempeño, usted puede acudir a una corte de demandas menores, una corte estatal, o una corte federal del distrito.

Quequent Performance Products, Inc.

47912 Halyard Dr. Suite 100

Plymouth, MI 48170

©2006 TOWING PRODUCTS, INC