

# Installation Instructions

**Part Number:**

**50082**

## CUSTOM QUICK INSTALL MOUNTING KIT

**1999 To 2010 Ford Super Duty F-250/F-350 & 2008 To 2010 F-450**

**WARNING:** Under no circumstances do we recommend exceeding the towing vehicle manufacturers recommended vehicle towing capacity.

### READ ALL INSTRUCTIONS BEFORE STARTING THE INSTALLATION

Custom Quick Install mounting brackets only include the hardware to attach the custom brackets to the frame..

**10 Bolt System:** Instructions for 58058 or 30035 on pages 1-4. Fasteners shown with (\*) are supplied with rail kit 58058. \*\*

**4 Bolt System:** Instructions for 30124 or 30095 on pages 5-7. Fasteners shown with (\*) are supplied with rail kit 30124. \*\*\*

## 10 BOLT INSTALLATION

\*\* If fasteners with rail kit are missing, order service kit 58430

**Equipment Required:**

**Fastener Kit:** 50082F

**Wrenches:** 3/4, 7/8, 15/16, 15 mm

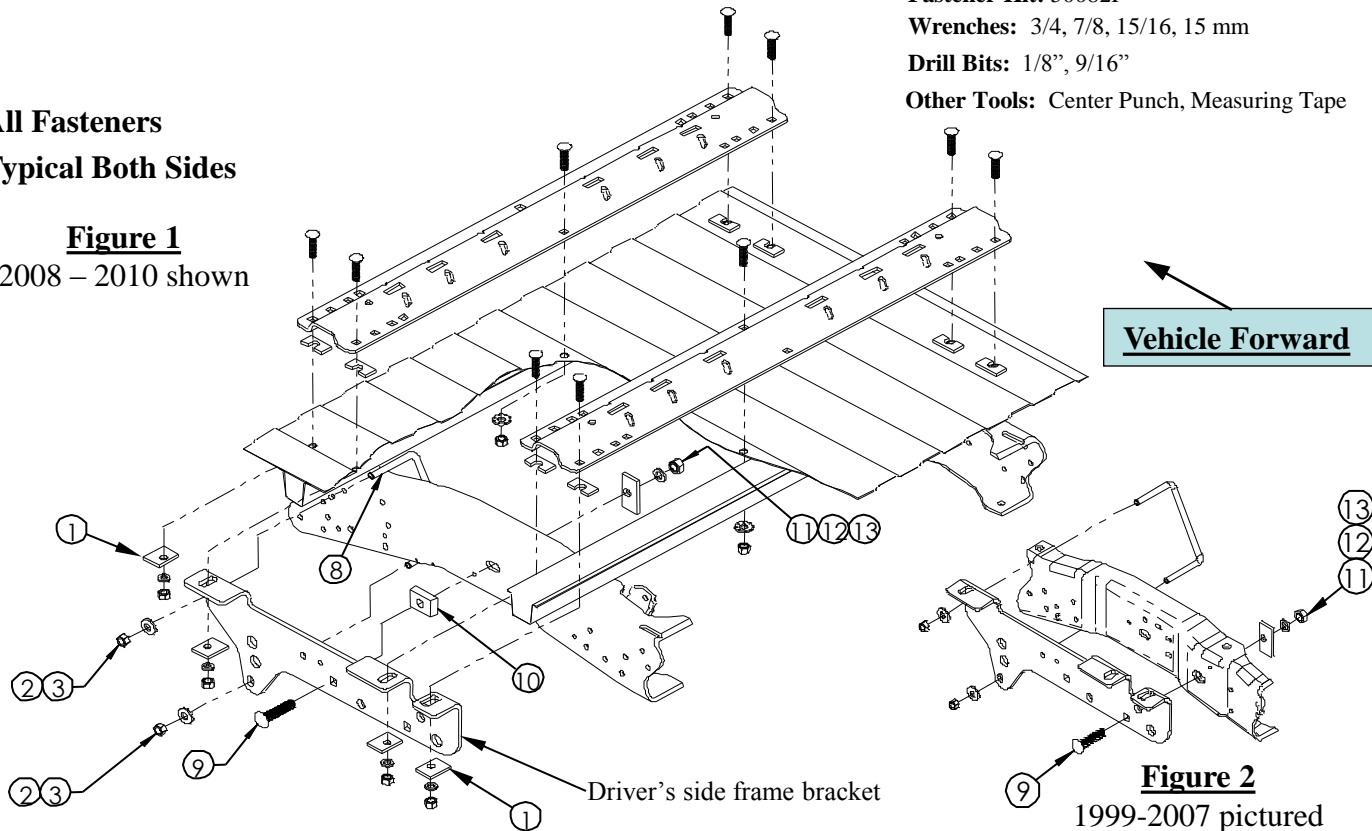
**Drill Bits:** 1/8", 9/16"

**Other Tools:** Center Punch, Measuring Tape

**All Fasteners  
Typical Both Sides**

**Figure 1**

2008 – 2010 shown



**Vehicle Forward**

**Figure 2**

1999-2010 pictured

**Fasteners listed below are supplied with this kit, all other unidentified fasteners are supplied with part number 30035, 58058, 30095 or 30124.**

Item	Description	Quantity
1	SPACER 1/4" x 1 1/2" x 2"	8
2	NUT, HEX 1/2"-13	4
3	WASHER CONICAL 1/2"	4
4	WASHER FLAT 1/4" (Figure 3c)	2
5	NUT, NYLOK 1/4"-20 (Figure 3c)	1
6	BOLT, HEX HEAD 1/4"-20 x 1 1/4" Grade 2 (Figure 3c)	1

Item	Description	Quantity
7	L-BRACKET (Figure 3c)	1
8	U-BOLT 1/2"-13 X 7-3/8" X 4"	2
9	BOLT CAR 5/8"-11 X 2-1/2" Grade 8	2
10	BLOCK 5/8" x 1-1/2" x 2-1/8"	2
11	SPACER 1/4" x 1 1/2" x 3"	2
12	LOCKWASHER 5/8" PLATED	2
13	NUT, HEX 5/8"-11 Grade 8	2

# Installation Instructions

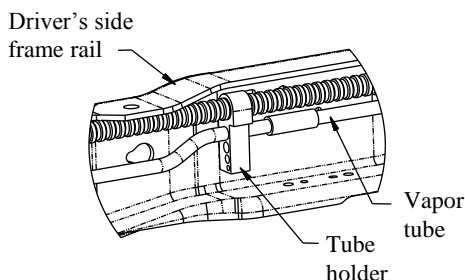
Part Numbers:

## CUSTOM QUICK INSTALL MOUNTING KIT

50082

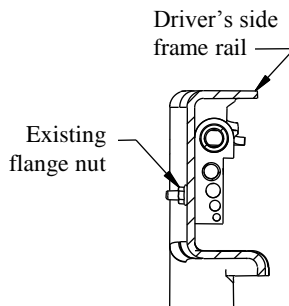
1999 To 2010 Ford Super Duty F-250/F-350 & 2008 To 2010 F-450

- Do not install mounting rails over plastic bed liners. Plastic bed liners must be cut out of the way to provide metal to metal contact. Mounting rails may be installed on spray in liners.
- Use only bolts, nuts, and washers supplied to install this kit. All bolts are Grade 5 and nuts are Grade 5 unless otherwise specified.
- These instructions are guidelines only, actual installation is the responsibility of the installer and the owner. Always measure truck and trailer before installing hitch to be sure that there is clearance at the cab and at the bumper to allow for turns.

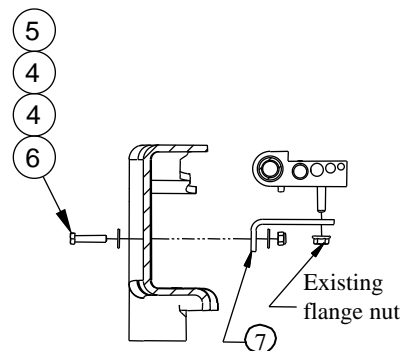


**Figure 3a**

Inside of frame rail



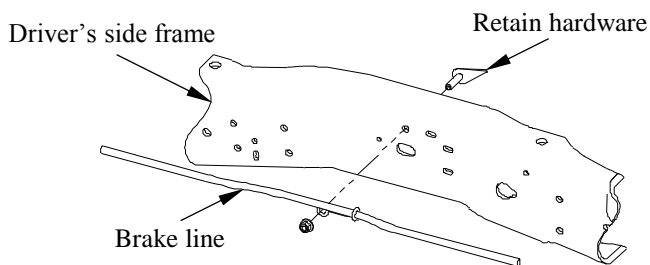
**Figure 3b**



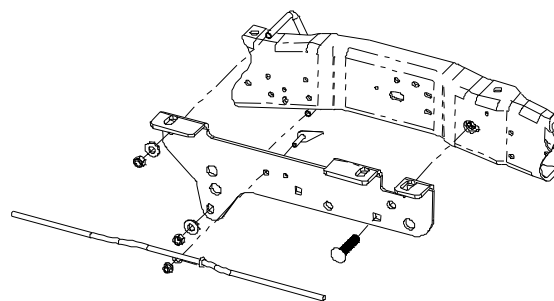
**Figure 3c**

### Installation Instructions

1. Lower and remove spare tire if extra room is needed for the installation.
2. **On 2005 to 2010 Gas Engine Vehicles Only.** The vapor tube running along the inside of the driver's side frame rail must be relocated prior to installing the driver's side bracket. See Figure 3a. Remove the flange nut from the outside of the frame and keep for later use. See Figure 3b. Rotate the tubes up and out of the way. Install the L-bracket (7) with 1/4" hardware (4)(5)(6), as shown in Figure 3c. Tighten the L-bracket (7) to the frame, but leave the tube holder loose to aid bracket installation.
3. **On 1999 To 2004 Vehicles Only.** Remove the upper emergency brake cable hanger from the frame of the truck and keep the hardware. See Figure 4a.



**Figure 4a**



**Figure 4b**

4. Place the rear mounting rail in the box of the truck. Using your tape measure, center the rail between the weld seams on the length of the truck box floor and the proper distance from the rear edge of the truck box as illustrated in Figure 5. See page 3 for mounting the brackets to the rails. See below for mounting the brackets to the frame.
5. Mark and center punch the holes as per the illustration in Figure 5. Move the rail out of the way and drill each position with a 1/8" drill bit. **Warning: When drilling holes be aware of potential risks, such as brake lines and fuel tanks, to vehicle components and make appropriate safe guards to protect them from damage.**
6. Temporarily position the frame brackets on the outside of the frame and check that the 1/8" drilled holes align with the slots of the frame bracket. Remove the frame bracket from the vehicle.
7. Enlarge the 1/8" drilled holes to 9/16" with the step drill. **Warning: When drilling holes be aware of potential risks, such as brake lines and fuel tanks, to vehicle components and make appropriate safe guards to protect them from damage.**

# Installation Instructions

Part Numbers:

## CUSTOM QUICK INSTALL MOUNTING KIT

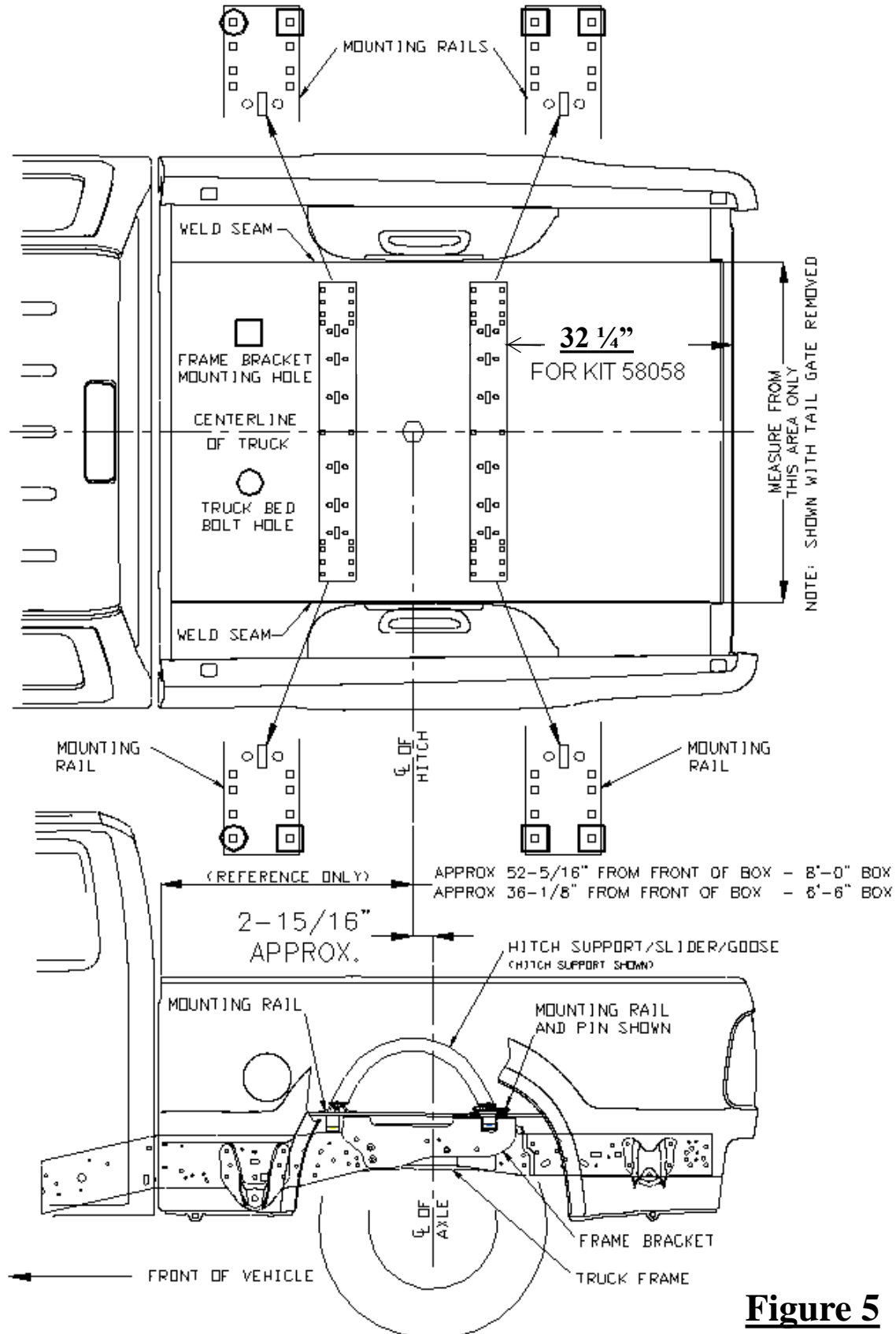
**50082**

### **1999 To 2010 Ford Super Duty F-250/F-350 & 2008 To 2010 F-450**

8. **Loosely install the frame brackets as follows:**
- For 1999 - 2004 vehicles:** Use the hardware removed in Step 3 to attach the upper brake cable to the frame bracket as shown in Figure 4b.
  - Position the frame brackets so that the two rear attachment tabs on the bracket are on either side of the rear bed support, as shown in Figure 1.
  - Attach the bracket to the frame of the vehicle with the 1/2" u-bolts(8) nuts(2), and conical washers(3) as shown in Figure 1. Hand tighten the nuts only.
  - For 2008 and to 2010 trucks:** Use the slot in the frame that is over the axle to attach the frame bracket with the 5/8" carriage bolt(9). Make sure to use a 5/8" spacer(10) between the bracket and frame. See Figure 1. Attach the 5/8"(9) bolt to the inside of the frame with 1/4" x 1-1/2" x 3" spacer(11), lock washer(12) and hex nut(13). Finger tighten only.
  - For 1999-2007 trucks:** Use the slot in the frame that is under the rear bed support to attach the frame bracket with the 5/8" carriage bolt(9). The 5/8" spacer(10) **should not be used** between the bracket and frame. See Figure 2. Attach the 5/8" bolt(9) to the inside of the frame with 1/4" x 1-1/2" x 3" spacer(11), lock washer(12) and hex nut(13). Finger tighten only.
9. Reposition the mounting rail over the holes.
10. Install the 1/2" x 2" long carriage bolts with the U-shaped spacer to be located in the corrugation between the box and the rails. **Note:** The U-shaped spacer will have to be installed before inserting the 1/2" carriage bolts through the mounting rail and box floor. This insures a metal to metal contact. A U-shaped spacer is not needed for the attachment at the center of the rail. Attach the carriage bolts on the ends of the rails with spacers(1), lock washers, and nuts as per the Figure 1 and tighten snug to keep the mounting rail from moving. Attach the carriage bolt in the middle with a conical washer and nut.
11. Place the unassembled fifth wheel saddles/slider/goose into the already installed mounting rail. Position the second mounting rail with the saddles/slider/goose by inserting the tabs into the mounting rail and pushing the mounting rail tight towards the other mounting rail. Ensure that the mounting rail is centered between the weld seams on the length of the truck box floor. This will position the mounting rail in the correct location and ensure that the fifth wheel will have a snug fit to the truck. **NOTE:** If more than one hitch product will be used with the rails then both should be used at the same time to align the second rail. This will ensure that one product does not compromise the fit of the other.
12. Repeat the previous steps for the other side of the vehicle.
13. Tighten the fasteners in the following sequence: 1) torque the mounting rails to the frame brackets, 2) torque the frame brackets to the truck frame. **Torque all 1/2" Grade 5 hardware to 72 ft-lbs (98 N-m), 5/8" Grade 5 hardware to 150 ft-lbs (204 N-m) and the 5/8" Grade 8 hardware to 212 ft-lbs (287 Nm).**
14. **On 2005 to 2010 Gas Engine Vehicles Only.** Use the factory flange nut that was removed in Step 2 to tighten the tube holder onto the L-bracket (7) as shown in Figure 3c.
15. Reinstall spare tire if it was removed.

# OPTION 1

## DIMENSIONS SPECIFIC FOR RAIL KIT 58058



**Figure 5**

# INSTRUCTIONS WHEN USING THE 30124 RAIL KIT WITH THE 1999 To 2010 Ford Super Duty F-250/F-350 & 2008 To 2010 F-450

- Do not install mounting rails over plastic bed liners. Plastic bed liners must be cut out of the way to provide metal to metal contact. Mounting rails may be installed on spray in liners.
- Use only bolts, nuts, and washers supplied to install this kit. All bolts are Grade 5 and nuts are Grade 5 unless otherwise specified.
- These instructions are guidelines only, actual installation is the responsibility of the installer and the owner. Always measure truck and trailer before installing hitch to be sure that there is clearance at the cab and at the bumper to allow for turns.

**Equipment Required:**

**Fastener Kit:** 50082F

**Wrenches:** 3/4, 7/8, 15/16, 15 mm

**Drill Bits:** 1/8", 11/16"

**Other Tools:** Center Punch, Measuring Tape

## 4 BOLT INSTALLATION

Hardware and installation shown is the same for the passengers side.

FRONT OF TRUCK

\* 5/8" CARRIAGE BOLT

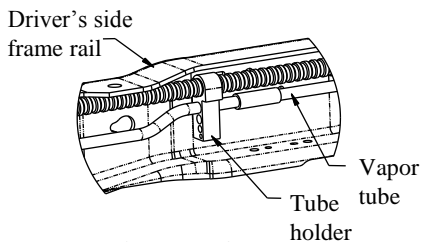
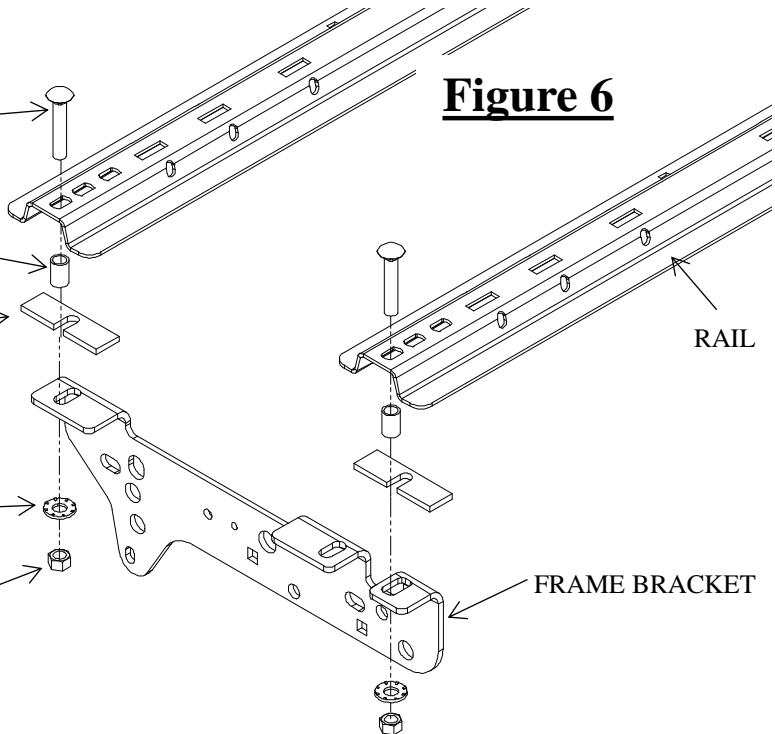
\* 1-1/4" TUBE SPACER

\* 5/16" SPACER

\* 5/8" CONICAL WASHER

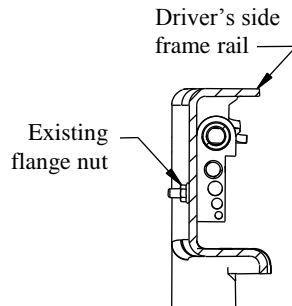
\* 5/8" NUT

**Figure 6**

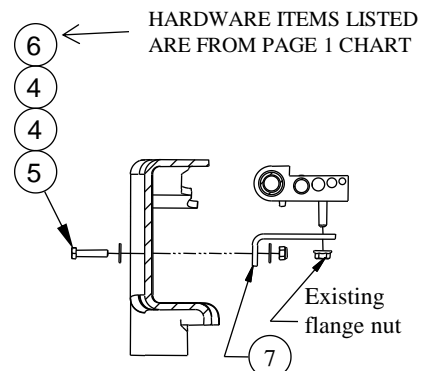


**Figure 6A**

Inside of frame rail



**Figure 6B**



**Figure 6C**

LISTED ON PAGE ONE CHART

\* fasteners are supplied with part number 30035, 58058, 30095 or 30124.

# 4 BOLT INSTALLATION

## Installation Instructions

1. Lower and remove spare tire if extra room is needed.
2. **On 2005 to 2010 Gas Engine Vehicles Only.** The vapor tube running along the inside of the driver's side frame rail must be relocated prior to installing the driver's side bracket. See Figure 6a on the previous page. Remove the flange nut from the outside of the frame and keep for later use. See Figure 6b. Rotate the tubes up and out of the way. Install the L-bracket (7) with 1/4" hardware(4)(5)(6), as shown in Figure 6c. Tighten the L-bracket (7) to the frame, but leave the tube holder loose to aid bracket installation.
3. Place the front mounting rail in the box of the truck. Using your tape measure, center the rail between the weld seams on the length of the truck box floor and the proper distance from the rear edge of the truck box as illustrated in Figure 7. See page 1 or page 3 for mounting the brackets to the rails and brackets to the frame.
4. Mark and center punch the holes as per the illustration in Figure 7. Move the rail out of the way and drill each position with a 1/8" drill bit. **Warning: When drilling holes be aware of potential risks to vehicle components, such as brake lines and fuel tanks, and make appropriate safe guards to protect them from damage.**
5. Temporarily position the frame brackets on the outside of the frame and check that the 1/8" drilled holes align with the slots of the frame bracket. Remove the frame bracket from the vehicle.
6. Enlarge the 1/8" drilled holes to 11/16" with the step drill. **Warning: When drilling holes be aware of potential risks, such as brake lines and fuel tanks, to vehicle components and make appropriate safe guards to protect them from damage.**
7. Loosely install the frame brackets by aligning the brackets with holes in the frame as shown on page 1 for 2011 trucks or page 3 for older trucks. Snug the bolts. Do not tighten.
8. Reposition the mounting rail over the holes.
9. Place a 5/16" thick spacer between the bed and the rail if the drilled hole in the bed is in the bottom of the corrugation. If the hole is in the top of the corrugation, place the spacer between the bottom of the bed and the bracket below the bed.
10. Place the 1-1/4" tube spacers under the rails.
11. Insert the 5/8" carriage bolts through the rails and holes in the bed as shown in Figure 6.
12. Install 5/8 conical washers and 5/8" nuts on the bolts. Snug up the hardware.
13. Place the unassembled fifth wheel saddles/slider/goose into the already installed mounting rail. Position the second mounting rail with the saddles/slider/goose by inserting the tabs into the mounting rail and pushing the mounting rail tight towards the other mounting rail. Ensure that the mounting rail is centered between the weld seams on the length of the truck box floor. This will position the mounting rail in the correct location and ensure that the fifth wheel will have a snug fit to the truck. **NOTE:** If more than one hitch product will be used with the rails then both should be used at the same time to align the second rail. This will ensure that one product does not compromise the fit of the other.
14. Repeat the previous steps for the other side of the vehicle.
15. Tighten the fasteners in the following sequence: 1) torque the mounting rails to the frame brackets, 2) torque the frame brackets to the truck frame. **Torque all 1/2" Grade 5 hardware to 72 ft-lbs (98 N-m), 5/8" Grade 5 hardware to 150 ft-lbs (204 N-m) and the 5/8" Grade 8 hardware to 212 ft-lbs (287 Nm).**
16. **On 2005 and to 2010 Gas Engine Vehicles Only.** Use the factory flange nut that was removed in Step 2 to tighten the tube holder onto the L-bracket as shown in Figure 3c.
17. Reinstall spare tire if it was removed.

### LIMITED LIFETIME WARRANTY

Part No: \_\_\_\_\_  
Original Owner: \_\_\_\_\_

Date of Original Purchase: \_\_\_\_\_  
Original Installer: \_\_\_\_\_

1. Limited Lifetime Warranty ("Warranty"). Cequent Performance Products, Inc. ("We" or "Us") warrants to the original consumer purchaser only ("You") that the product will be free from material defects in both material and workmanship, ordinary wear and tear excepted; provided that installation and use of the product is in accordance with product instructions. There are no other warranties, express or implied, including the warranty of merchantability or fitness for a particular purpose. This warranty is not transferable.

2. Limitations on the Warranty. This Warranty does not cover: (a) normal wear and tear; (b) damage through abuse, neglect, misuse, or as a result of any accident or in any other manner; (c) damage from misapplication, overloading, or improper installation; (d) improper maintenance and repair; and (e) product alteration in any manner by anyone other than Us, with the sole exception of alterations made pursuant to product instructions and in a workmanlike manner.

3. Obligations of Purchaser. To make a Warranty claim, contact Us, at our principal address of 47912 Halyard Dr. Suite 100, Plymouth, MI 48170, 1-888-521-0510, identify the product by model number, and follow the claim instructions that will be provided. Any returned product that is replaced by Us becomes our property. You will be responsible for return shipping costs. Please retain your purchase receipt to verify date of purchase and that You are the original consumer purchaser. The product and the purchase receipt must be provided to Us in order to process Your Warranty claim.

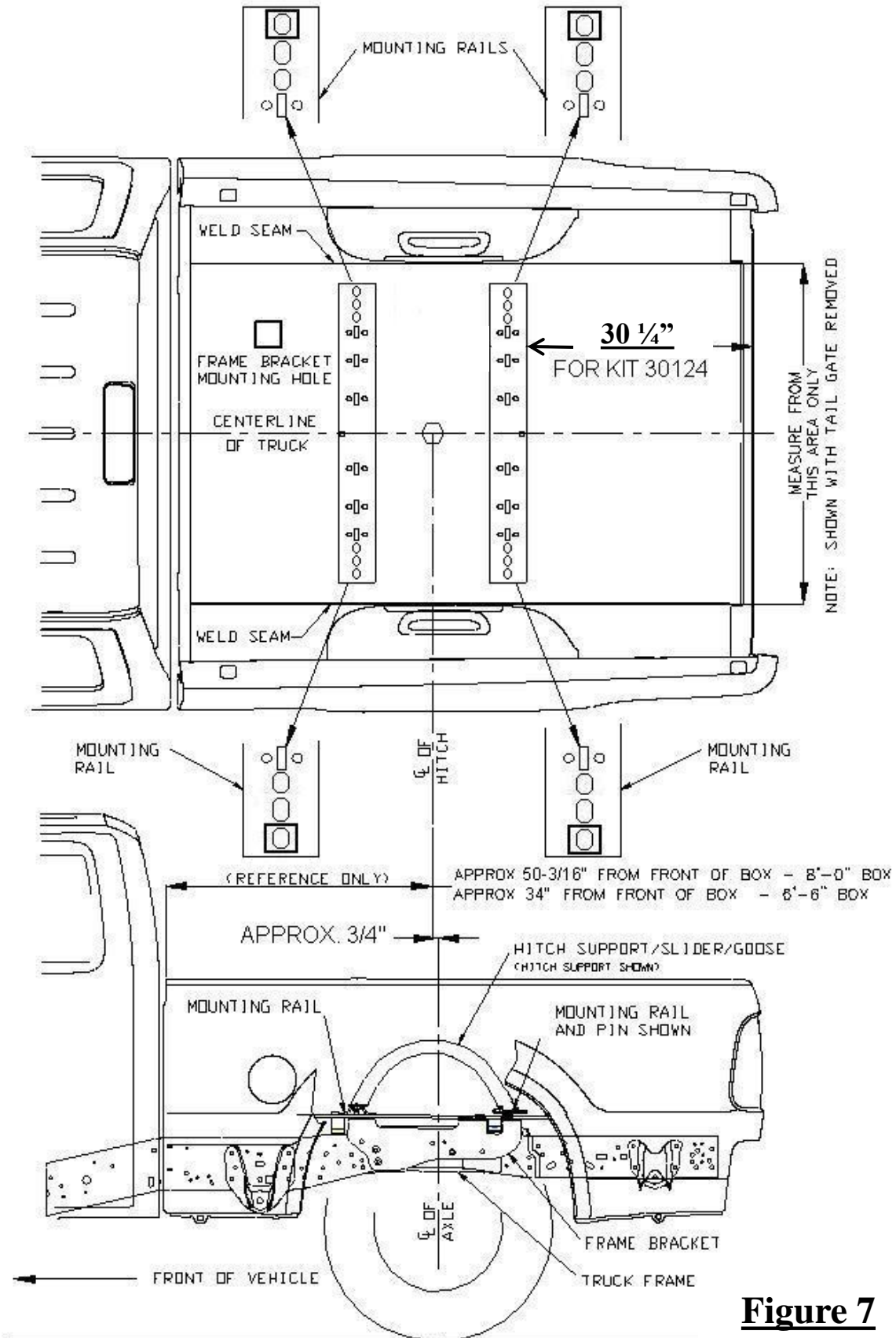
4. Remedy Limits. Product replacement is Your sole remedy under this Warranty. We shall not be liable for service or labor charges incurred in removing or replacing a product or any incidental or consequential damages of any kind.

5. Assumption of Risk. You acknowledge and agree that any use of the product for any purpose other than the specified use(s) stated in the product instructions is at Your own risk.

6. Governing Law. This Warranty gives You specific legal rights, and You also may have other rights which vary from state to state. This Warranty is governed by the laws of the State of Michigan, without regard to rules pertaining to conflicts of law. The state courts located in Oakland County, Michigan shall have exclusive jurisdiction for any disputes relating to this Warranty.

# OPTION 2

## DIMENSIONS SPECIFIC FOR RAIL KIT 30124



**Figure 7**

# Instructions d'installation

## NÉCESSAIRE DE MONTAGE RAPIDE SUR MESURE

**Ford Super Duty F-250/F-350/F-450, 1999 et 2010**

### INSTALLATION À 10 BOULONS

**\*\* Si des pièces de visserie fournies avec l'ensemble des traverses sont manquantes, commandez l'ensemble de service 58430.**

#### Équipement requis :

**Visserie :** 50082F

**Clés :** 3/4, 7/8, 15/16, 15 mm

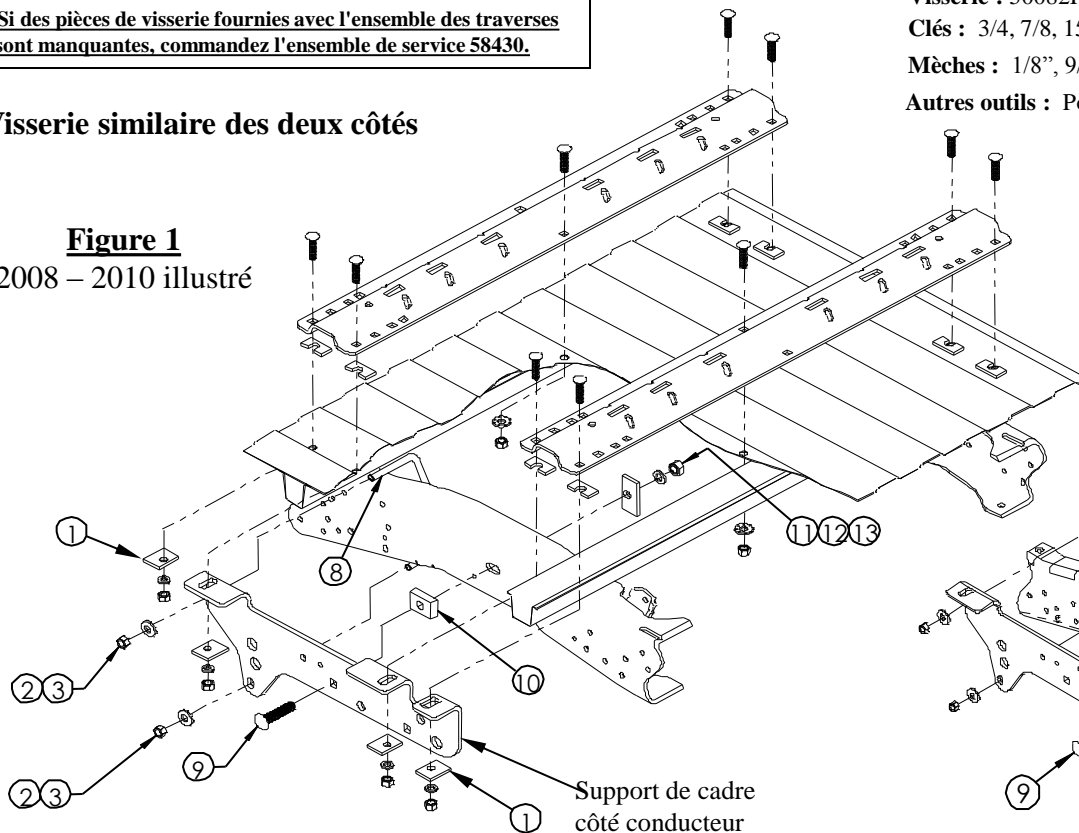
**Mèches :** 1/8", 9/16"

**Autres outils :** Pointeau, ruban à mesurer

**Visserie similaire des deux côtés**

**Figure 1**

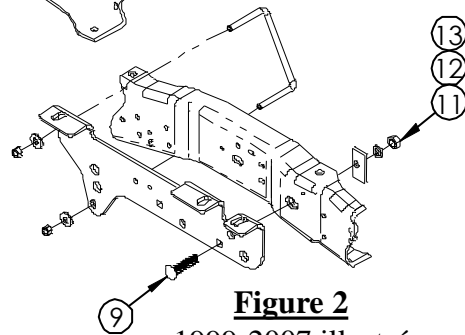
2008 – 2010 illustré



**Avant du véhicule**

**Figure 2**

1999-2007 illustré



**Les fixations listées ci-dessous sont fournies avec cet ensemble, toutes les autres fixations mentionnées sont fournies avec les articles 30035 ou 58058.**

Item	Description	Quantity
1	SPACER 1/4" x 1 1/2" x 2"	8
2	NUT, HEX 1/2"-13	4
3	WASHER CONICAL 1/2"	4
4	WASHER FLAT 1/4" (Figure 3c)	2
5	NUT, NYLOK 1/4"-20 (Figure 3c)	1
6	BOLT, HEX HEAD 1/4"-20 x 1 1/4" Grade 2 (Figure 3c)	1

Item	Description	Quantity
7	L-BRACKET (Figure 3c)	1
8	U-BOLT 1/2"-13 X 7-3/8" X 4"	2
9	BOLT CAR 5/8"-11 X 2-1/2" Grade 8	2
10	BLOCK 5/8" x 1-1/2" x 2-1/8"	2
11	SPACER 1/4" x 1 1/2" x 3"	2
12	LOCKWASHER 5/8" PLATED	2
13	NUT, HEX 5/8"-11 Grade 8	2

Bloc 1/4 x 1 1/2 x 2 po  
 Écrou hexagonal 1/2-13  
 Rondelle conique 1/2  
 Rondelle plate 1/4  
 Écrou Nylok 1/4 - 20  
 Boulon hexagonal 1/4-20 x 1 1/4  
 Grade 2  
 Support en L  
 Boulon en U 1/2-13 x 7.3 x 4  
 Boulon car 5/8-11 x 2.50 Gr8  
 Bloc 0.625 x 1.50 x 2.10  
 Plaque de boulon  
 Rondelle frein plaquée 5/8  
 Boulon et rondelle M14 x 45  
 Écrou hexagonal 5/8-11 Grade 8



# Instructions d'installation

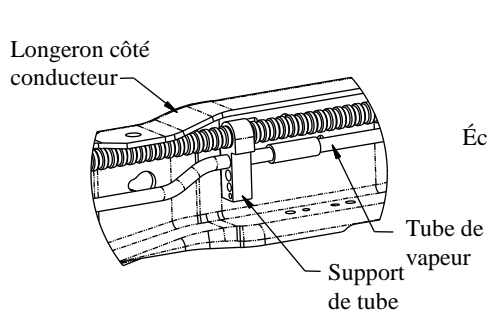
## NÉCESSAIRE DE MONTAGE RAPIDE SUR MESURE

Numéros de pièces :

50082

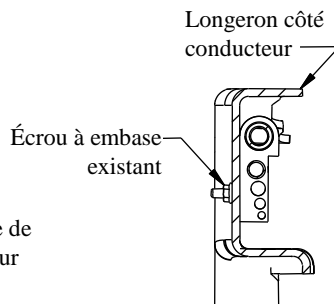
Ford Super Duty F-250/F-350/F-450, 1999 et 2010

- **N'installez pas les traverses sur la doublure de caisse en plastique. La doublure de caisse en plastique doit être découpée pour permettre le contact métal à métal. Les traverses peuvent être installées sur une doublure pulvérisée en place.**
- **Utilisez seulement les boulons, les écrous et les rondelles fournis pour installer ce produit. Tous les boulons et les écrous sont de classe 5 sauf indication contraire.**
- **Ces instructions sont données à titre indicatif, l'installation demeure la responsabilité de l'installateur et du propriétaire. Mesurez toujours la camionnette et la remorque avant d'installer l'attelage pour vous assurer que le dégagement à la cabine et au pare-chocs est suffisant pour permettre les virages.**

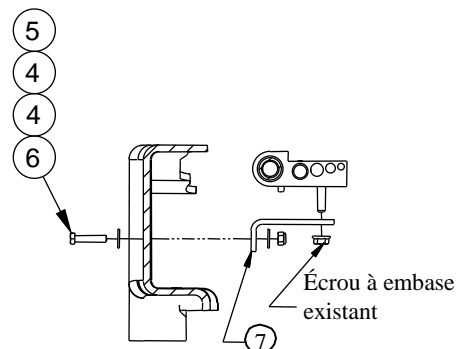


**Figure 3a**

Intérieur du longeron



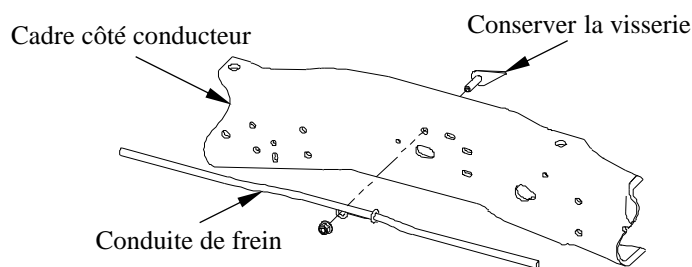
**Figure 3b**



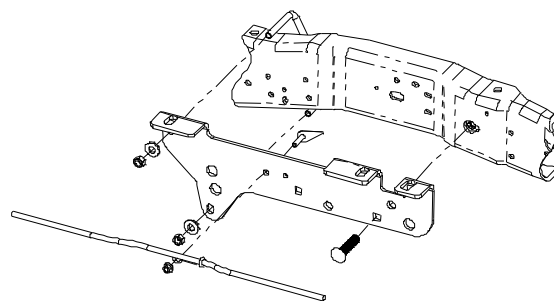
**Figure 3c**

## Instructions d'installation

1. Abaisser et enlever le pneu de secours si de l'espace supplémentaire est requis pour l'installation.
2. **Sur véhicules équipés de moteur à gaz seulement - 2005 et plus récent.** Le tube de vapeur qui court sur l'intérieur du longeron côté conducteur doit être repositionné avant de poser le support côté conducteur. Voir la Figure 3a. Ôter l'écrou à embase de l'extérieur du cadre et le conserver pour usage ultérieur. Voir la Figure 3b. Faire pivoter les tubes vers le haut et de façon à libérer l'accès. Poser le support en L à l'aide de la visserie 1/4 po, comme illustré à la Figure 3c. Serrer le support en L contre le cadre, mais laisser du jeu au porte-tube pour faciliter la pose du support.
3. **Sur les modèles 1999 à 2004 seulement.** Enlever le support de câble de frein d'urgence supérieur du cadre de la camionnette et conserver la ferronnerie. Voir la Figure 4a.



**Figure 4a**



**Figure 4b**

4. Placer la traverse de montage arrière dans la caisse de la camionnette. À l'aide du ruban à mesurer, centrer la traverse entre les joints de soudure sur la longueur du plancher de caisse, et déterminer la distance appropriée à partir du bord arrière de la caisse, comme illustré à la Figure 5. Voir la page 3 pour le montage des supports sur les traverses. Voir ci-dessous pour le montage des supports sur le cadre.
5. Marquer l'emplacement des trous à l'aide d'un pointeau, comme illustré à la Figure 5. Écarter la traverse et percer chaque marque à l'aide d'une mèche 1/8 po. **Avertissement : Lors du perçage, veiller à ne pas endommager des composants du véhicule comme les conduites de frein et les réservoirs d'essence, et à prendre les mesures de protection nécessaires.**
6. Placer temporairement les supports de cadre sur l'extérieur du cadre et vérifier que les trous percés de 1/8 po s'alignent sur les fentes du support de cadre. Retirer les supports de cadre du véhicule.
7. Agrandir les trous percés de 1/8 po à 9/16 po à l'aide d'un foret étagé. **Avertissement : Lors du perçage, veiller à ne pas endommager des composants du véhicule comme les conduites de frein et les réservoirs d'essence, et à prendre les mesures de protection nécessaires.**

# Instructions d'installation

## NÉCESSAIRE DE MONTAGE RAPIDE SUR MESURE

Numéros de pièces :

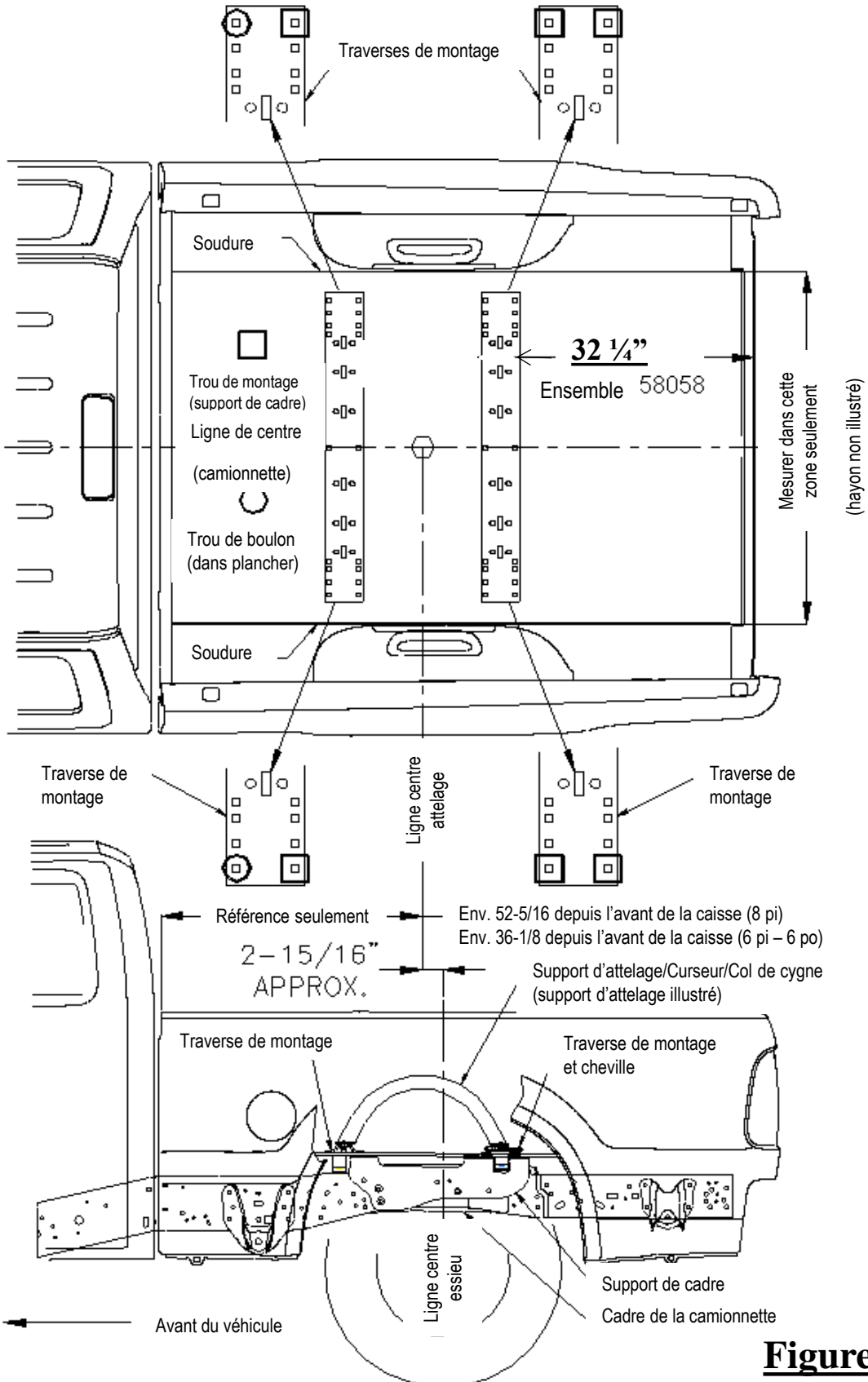
**50082**

### **Ford Super Duty F-250/F-350/F-450, 1999 à 2010**

8. **Poser sans trop serrer les supports de cadre comme suit :**
  - a. **Pour les modèles 1999 à 2004 :** Utiliser la ferronnerie enlevée à l'étape 3 pour fixer le câble de frein supérieur au support de cadre, comme illustré à la Figure 4b.
  - b. Placer les supports de cadre de façon que les deux languettes de fixation arrière du support se situent d'un côté ou l'autre du support de plateforme arrière, comme illustré à la Figure 1.
  - c. Fixer le support au cadre du véhicule à l'aide des boulons 1/2 po en U (12), d'écrous (1) et de rondelles coniques, comme illustré à la Figure 1. Serrer les écrous à la main seulement.
  - d. **Pour camionnettes 2008 et plus récentes :** Utiliser la fente du cadre située au-dessus de l'essieu pour fixer le support de cadre à l'aide d'un boulon de carrosserie 5/8 po (5). S'assurer d'utiliser un espaceur 5/8 po (8) entre le support et le cadre. Voir la Figure 1. Poser le boulon 5/8 po (5) sur l'intérieur du cadre à l'aide d'un espaceur 1/4" x 1-1/2" x 3" (3), d'une rondelle frein (2) et d'un écrou hexagonal (1). Serrer à la main seulement.
  - e. **Pour les modèles 1999 à 2007 :** Utiliser la fente du cadre située en-dessous du support de plateforme arrière pour fixer le support de cadre à l'aide d'un boulon de carrosserie 5/8 po (5). L'espaceur 5/8 po (8) **doit être utilisé** entre le support et le cadre. Voir la Figure 2. Poser le boulon 5/8 po (5) sur l'intérieur du cadre à l'aide d'un espaceur 1/4" x 1-1/2" x 3" (3), d'une rondelle frein (2) et d'un écrou hexagonal (1). Serrer à la main seulement.
9. Repositionner la traverse de montage au-dessus des trous.
10. Poser les boulons de carrosserie longs 1/2 x 2 po (6) avec l'espaceur en forme de U (7) qu'il faut placer dans les ondulations entre la caisse et les traverses. **Nota :** L'espaceur en forme de U devra être posé avant d'insérer les boulons de carrosserie 1/2 po à travers la traverse de montage et le plancher de caisse. On obtient ainsi le contact métal à métal nécessaire. Un espaceur en U n'est pas nécessaire pour la fixation au centre de la traverse. Fixer les boulons de carrosserie (6) sur les extrémités des traverses à l'aide d'espaces (3), de rondelles freins (2) et d'écrous (1) selon la Figure 1 et serrer fermement pour empêcher tout mouvement de la traverse. Fixer le boulon de carrosserie (6) au centre à l'aide d'une rondelle conique (4) et d'un écrou (1).
11. Placer l'attelage non assemblé (socle de sellette, curseur ou col de cygne) dans le rail déjà monté. Positionner la seconde traverse et l'attelage (socle de sellette, curseur ou col de cygne) en insérant les languettes dans la traverse, puis en poussant cette dernière à fond vers l'autre traverse. S'assurer que la traverse est centrée entre les joints de soudure sur la longueur du plancher de la camionnette. La traverse sera ainsi à la position appropriée et la sellette sera bien ajustée à la camionnette. **REMARQUE :** Si plus d'un attelage doit être posé sur les traverses, alors les deux doivent être utilisés en même temps pour aligner la seconde traverse. De cette façon, un attelage ne gênera pas l'ajustement de l'autre.
12. Répéter les étapes précédentes pour l'autre côté du véhicule.
13. Serrer les fixations selon la séquence suivante : 1) les traverses contre les supports de cadre, 2) les supports de cadre contre le cadre de la camionnette. **Serrer toute la visserie 1/2 po Grade 5 au couple de 72 lb-pi (98 N-m), la visserie 5/8 po Grade 5 au couple de 150 lb-pi (204 N-m) et la visserie 5/8 po Grade 8 au couple de 212 lb-pi (287 Nm).**
14. **Sur véhicules équipés de moteur à gaz seulement - 2005 et plus récent.** Utiliser l'écrou à embase d'origine enlevé à l'étape 2 pour fixer le support de tube sur le support en L, comme illustré à la Figure 3c.
15. Réinstaller le pneu de secours s'il a été enlevé.

# OPTION 1

## DIMENSIONS POUR ENSEMBLE DE TRAVERSES 58058



**Figure 7**

# INSTRUCTIONS POUR L'ENSEMBLE DE TRAVERSES 30124 AVEC LES MODÈLES FORD SUPER DUTY F-250, F-350, F-450

- N'installez pas les traverses sur la doublure de caisse en plastique. La doublure de caisse en plastique doit être découpée pour permettre le contact métal à métal. Les traverses peuvent être installées sur une doublure pulvérisée en place.
- Utilisez seulement les boulons, les écrous et les rondelles fournis pour installer ce produit. Tous les boulons et les écrous sont de classe 5 sauf indication contraire.
- Ces instructions sont données à titre indicatif, l'installation demeure la responsabilité de l'installateur et du propriétaire. Mesurez toujours la camionnette et la remorque avant d'installer l'attelage pour vous assurer que le dégagement à la cabine et au pare-chocs est suffisant pour permettre les virages.

## Équipement requis :

Visserie : 50082F

Clés : 3/4, 7/8, 15/16, 15 mm

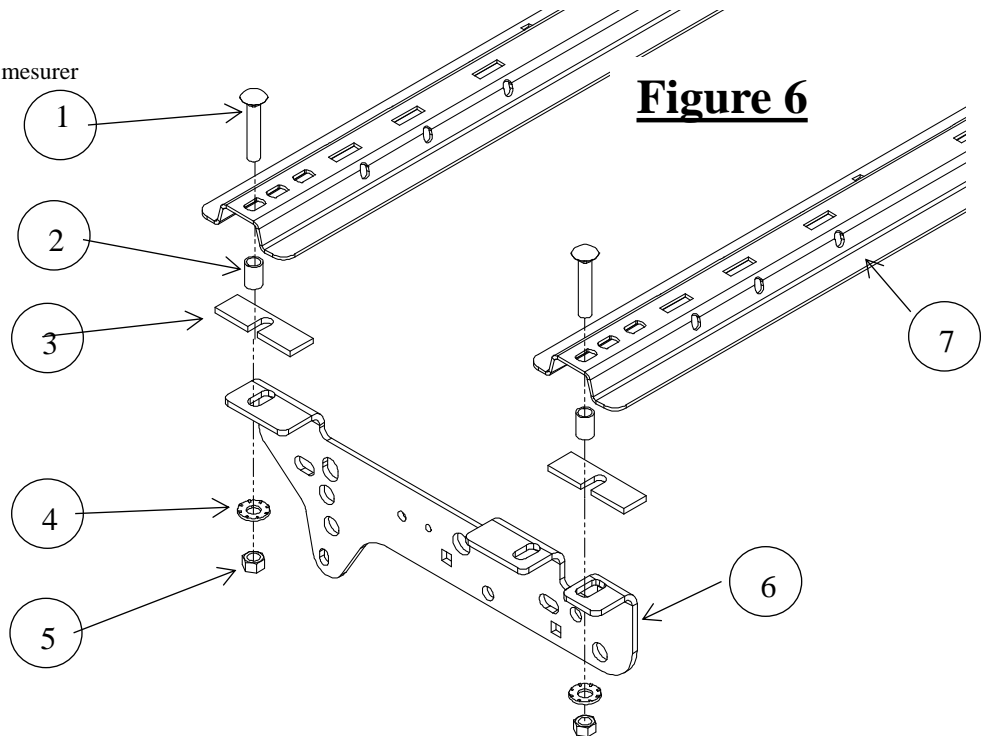
Mèches : 1/8", 11/16"

Autres outils : Pointeau, ruban à mesurer

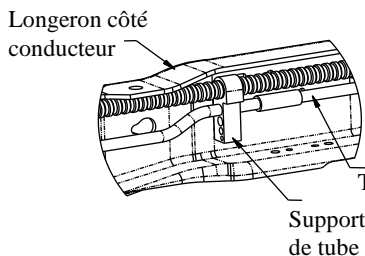
## INSTALLATION À 4 BOULONS

La visserie et l'installation illustrées sont similaires du côté passager.

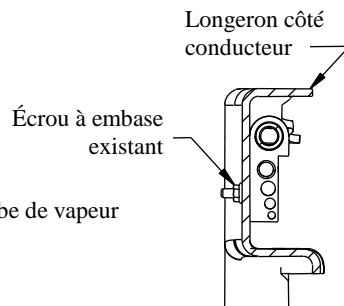
AVANT DE LA  
CAMIONNETTE



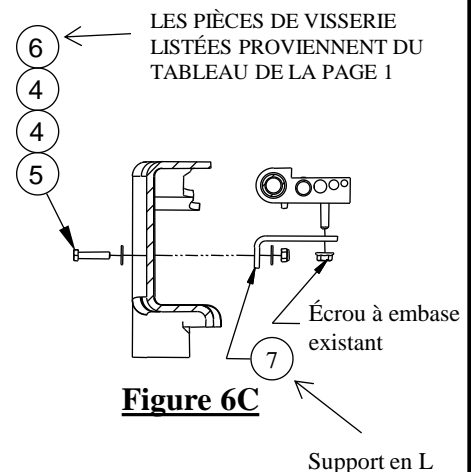
**Figure 6**



**Figure 6A**  
Intérieur du longeron



**Figure 6B**



**Figure 6C**

**Des attaches suppleod avec le numéro de la pièce 30035, 58058, 30095 ou 30124.**

## Instructions d'installation

# **INSTALLATION À 4 BOULONS**

1. Abaisser et enlever le pneu de secours si de l'espace supplémentaire est requis.
2. **Sur véhicules équipés de moteur à gaz seulement - 2005 et plus récent.** Le tube de vapeur qui court sur l'intérieur du longeron côté conducteur doit être repositionné avant de poser le support côté conducteur. Voir la Figure 6a à la page précédente. Ôter l'écrou à embase de l'extérieur du cadre et le conserver pour usage ultérieur. Voir la Figure 6b. Faire pivoter les tubes vers le haut et de façon à libérer l'accès. Poser le support en L à l'aide de la visserie 1/4 po, comme illustré à la Figure 6c. Serrer le support en L contre le cadre, mais laisser du jeu au porte-tube pour faciliter la pose du support.
3. Placer la traverse de montage avant dans la caisse de la camionnette. À l'aide du ruban à mesurer, centrer la traverse entre les joints de soudure sur la longueur du plancher de caisse, et déterminer la distance appropriée à partir du bord arrière de la caisse, comme illustré à la Figure 8. Voir la page 1 ou la page 3 pour le montage des supports sur les traverses, et des supports sur le cadre.
4. Marquer l'emplacement des trous à l'aide d'un pointeau, comme illustré à la Figure 7. Écarter la traverse et percer chaque marque à l'aide d'une mèche 1/8 po. **Avertissement : Lors du perçage, veiller à ne pas endommager des composants du véhicule comme les conduites de frein et les réservoirs d'essence, et à prendre les mesures de protection nécessaires.**
5. Placer temporairement les supports de cadre sur l'extérieur du cadre et vérifier que les trous percés de 1/8 po s'alignent sur les fentes du support de cadre. Retirer les supports de cadre du véhicule.
6. Agrandir les trous percés de 1/8 po à 11/16 po à l'aide d'un foret étagé. **Avertissement : Lors du perçage, veiller à ne pas endommager des composants du véhicule comme les conduites de frein et les réservoirs d'essence, et à prendre les mesures de protection nécessaires.**
7. Sans trop serrer, poser les supports de cadre en alignant les supports sur les trous du cadre, comme illustré à la page 1 pour les camionnettes 2011 ou à la page 3 pour les modèles antérieurs. Visser les boulons à la main. Ne pas serrer.
8. Repositionner la traverse de montage au-dessus des trous.
9. Placer un espaceur de 5/16 po d'épaisseur (3) entre la plateforme (plancher) et la traverse (7) si le trou percé dans la plateforme se trouve dans le creux de l'ondulation. Si le trou se trouve sur le sommet de l'ondulation, placer l'espaceur (3) entre le bas de la plateforme et le support sous la plateforme.
10. Placer les espaceurs tubulaires 1-1/4 po (2) sous les traverses (7).
11. Insérer des boulons de carrosserie 5/8 po (1) dans les traverses et les trous de la plateforme, comme illustré à la Figure 6.
12. Poser des rondelles coniques 5/8 po (4) et des écrous 5/8 po (5) sur les boulons. Visser la visserie à la main.
13. Placer l'attelage non assemblé (socle de sellette, curseur ou col de cygne) dans le rail déjà monté. Positionner la seconde traverse et l'attelage (socle de sellette, curseur ou col de cygne) en insérant les languettes dans la traverse, puis en poussant cette dernière à fond vers l'autre traverse. S'assurer que la traverse est centrée entre les joints de soudure sur la longueur du plancher de la camionnette. La traverse sera ainsi à la position appropriée et la sellette sera bien ajustée à la camionnette. **REMARQUE :** Si plus d'un attelage doit être posé sur les traverses, alors les deux doivent être utilisés en même temps pour aligner la seconde traverse. De cette façon, un attelage ne gênera pas l'ajustement de l'autre.
14. Répéter les étapes précédentes pour l'autre côté du véhicule.
15. Serrer les fixations selon la séquence suivante : 1) les traverses contre les supports de cadre, 2) les supports de cadre contre le cadre de la camionnette. **Serrer toute la visserie 1/2 po Grade 5 au couple de 72 lb-pi (98 N-m), la visserie 5/8 po Grade 5 au couple de 150 lb-pi (204 N-m) et la visserie 5/8 po Grade 8 au couple de 212 lb-pi (287 Nm).**
16. **Sur véhicules équipés de moteur à gaz seulement - 2005 et plus récent.** Utiliser l'écrou à embase d'origine enlevé à l'étape 2 pour fixer le support de tube sur le support en L, comme illustré à la Figure 3c.
17. Réinstaller le pneu de secours s'il a été enlevé.

### GARANTIE À VIE LIMITÉE

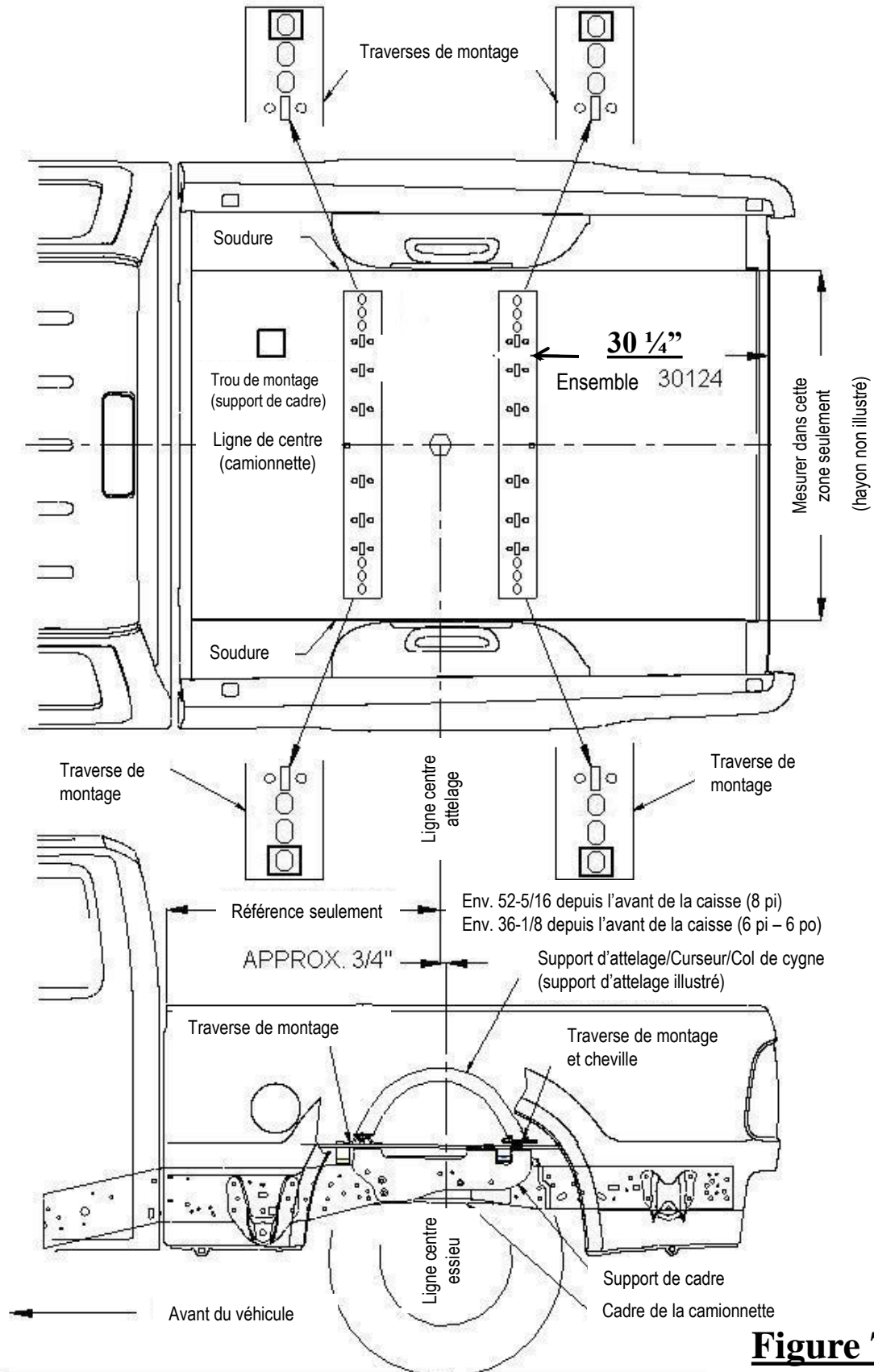
Référence: \_\_\_\_\_  
Propriétaire d'origine: \_\_\_\_\_

Date d'achat d'origine: \_\_\_\_\_  
Installation d'origine: \_\_\_\_\_

1. Garantie à vie limitée («Garantie»). Cequent Performance Products, Inc. («nous» ou «nos») garantit à l'acheteur original seulement («Vous») que le produit sera exempt de défauts matériels à la fois matériel et de fabrication, l'usure normale excepté; à condition que l'installation et l'utilisation du produit est conforme aux instructions du produit. Il n'y a pas d'autres garanties, expresses ou implicites, y compris la garantie de qualité marchande ou d'adéquation à un usage particulier. Cette garantie n'est pas transférable.
  2. Limitations de la garantie. Cette garantie ne couvre pas: (a) l'usure normale; (B) les dommages abus, de négligence, mauvaise utilisation ou à la suite d'un accident ou de toute autre manière; (C) les dommages causés par une mauvaise utilisation, une surcharge ou une mauvaise installation; (D) le mauvais entretien et de réparation; et (e) la modification du produit de quelque manière par quelqu'un d'autre que nous, à la seule exception des modifications apportées conformément aux instructions du produit et de façon professionnelle.
  3. Obligations de l'acheteur. Pour faire une réclamation de garantie, contacter nous, à notre adresse principale de 47912 drisse Dr. Suite 100, Plymouth, MI 48170, 1-888-521-0510, identifier le produit par numéro de modèle, et suivez les instructions sur les revendications qui seront fournis. Tout produit retourné qui est remplacé par nous devient notre propriété. Vous serez responsable des coûts d'expédition de retour. S'il vous plaît conserver votre facture d'achat à la date d'achat et vérifier que vous êtes l'acheteur d'origine. Le produit et la facture d'achat doivent être fournis à nous pour traiter votre demande de garantie.
  4. Solution limites. remplacement du produit est votre seul recours en vertu de cette garantie. Nous ne serons pas responsables pour services ou de main-d'oeuvre engagés pour l'enlèvement ou le remplacement d'un produit ou des dommages directs ou indirects de toute nature.
  5. Acceptation des risques. Vous reconnaissez et acceptez que toute utilisation du produit à des fins autres que l'usage spécifié (s) indiqué dans les instructions du produit est à vos propres risques.
- Droit applicable 6. Cette garantie vous donne des droits juridiques spécifiques, et vous pouvez avoir d'autres droits qui varient d'État à État. Cette garantie est régie par les lois de l'État du Michigan, sans égard aux règles relatives aux conflits de lois. Les tribunaux de l'Etat situés dans le comté d'Oakland, Michigan ont compétence exclusive pour tout litige relatif à cette garantie.

# OPTION 2

## DIMENSIONS POUR ENSEMBLE DE TRAVERSES 30124



**Figure 7**

## Instrucciones de instalación

### KIT DE MONTAJE PARA INSTALACIÓN

### RÁPIDA A LA MEDIDA

**Ford Super Duty F-250/F-350/F-450, 1999 y 2010**

### INSTALACIÓN DE 10 PERNOS

**\*\* Si faltan los tornillos con el kit de largueros, ordene el kit de servicio 58430**

**Todos los tornillos  
Igual en ambos lados**

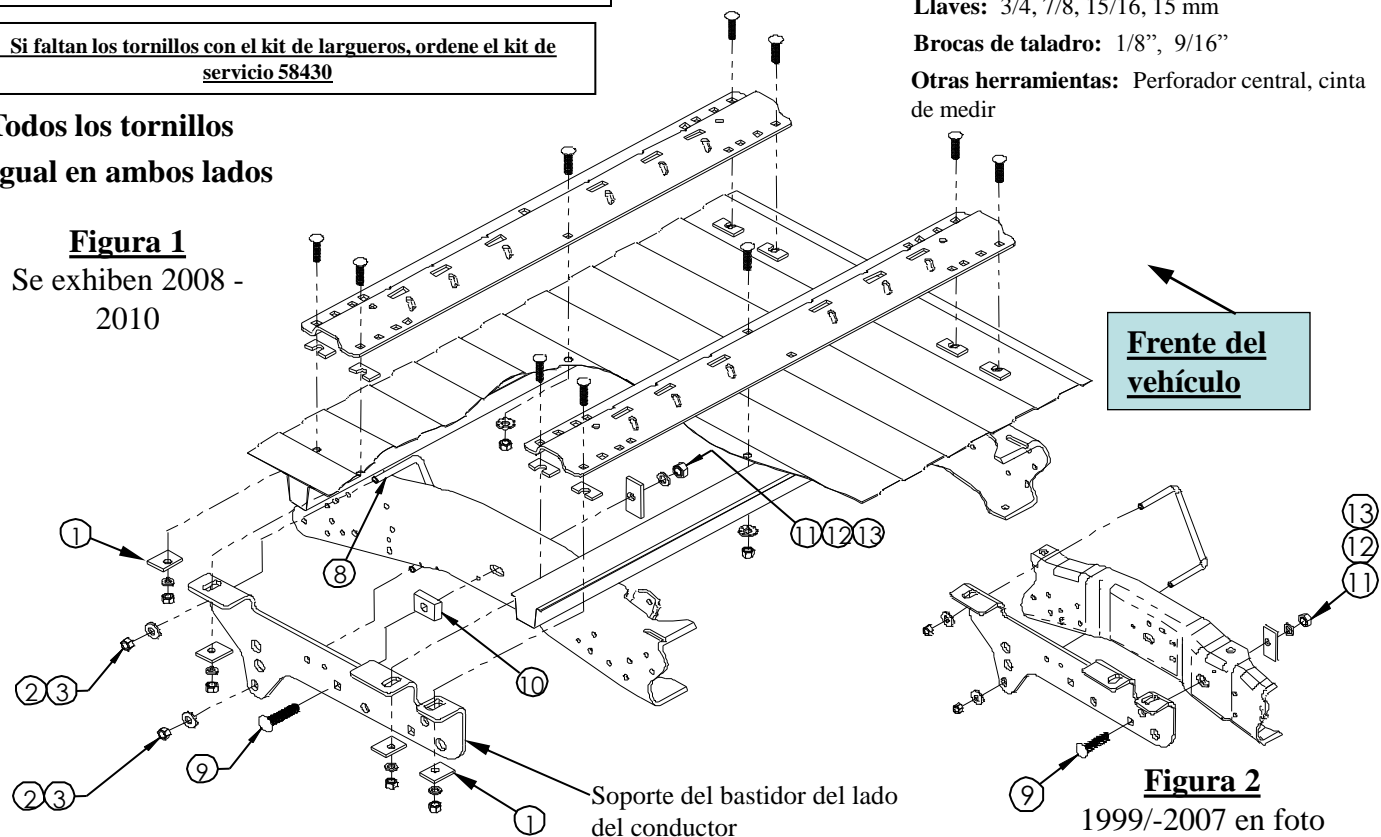
**Equipo necesario:**

**Kit de tornillos:** 50082F

**Llaves:** 3/4, 7/8, 15/16, 15 mm

**Brocas de taladro:** 1/8", 9/16"

**Otras herramientas:** Perforador central, cinta de medir



**Figura 1**

Se exhiben 2008 - 2010

**Frente del  
vehículo**

**Figura 2**

1999/-2007 en foto

**Las piezas que se indican abajo vienen con este kit, todas las otras piezas mencionadas se suministran con número de parte 30035 ó 58058.**

Pieza	Descripción	Cantidad
1	BLOQUE, 1/4" x 1 1/2" x 2"	8
2	TUERCA HEXAGONAL, 1/2-13	4
3	ARANDELA CÓNICA, 1/2	4
4	ARANDELA PLANA, 1/4"	2
5	TUERCA, NYLOK 1/4"-20	1
6	PERNO, CABEZA HEX. 1/4"-20 x 1 1/4" GR 2	1
7	SOPORTE EN L	1

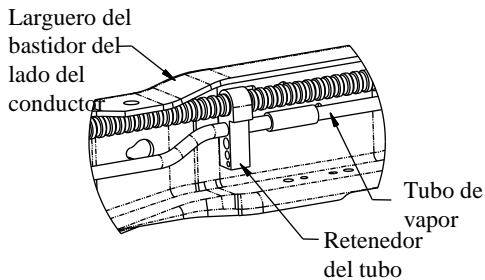
Pieza	Descripción	Cantidad
8	PERNO E U, 1/2-13X7.3X4	2
9	PERNO CARR. 5/8-11X2.50 GR8	2
10	BLOQUE .625 x 1.50 x 2.10	2
11	PLACA DE PERNO	2
12	ARAND. BLOQUEO 5/8 ENCHAPADA	2
13	TUERCA HEX. 5/8-11 GR 8	2

**Instrucciones de instalación**  
**KIT DE MONTAJE PARA INSTALACIÓN**  
**RÁPIDA A LA MEDIDA**

**Números de partes:**  
**50082**

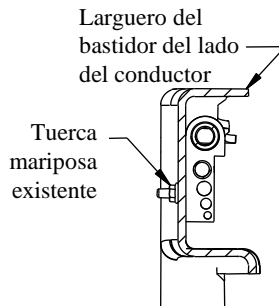
**Ford Super Duty F-250/F-350/F-450, 1999 y 2010**

- **No instale largueros de montaje sobre los forros plásticos de la base. Los forros plásticos de la base deben cortarse para permitir contacto de metal a metal. Los largueros de montaje se pueden instalar en forros aplicados con spray.**
- **Use únicamente pernos, tuercas y arandelas suministradas para instalar este kit. Todos los pernos y tuercas son grado 5 a menos que se especifique lo contrario.**
- **Estas instrucciones son pautas únicamente, la instalación real es responsabilidad del instalador y del propietario. Siempre mida el vehículo y el remolque antes de instalar el enganche para verificar que haya espacio en la cabina y en el parachoques para permitir los giros.**

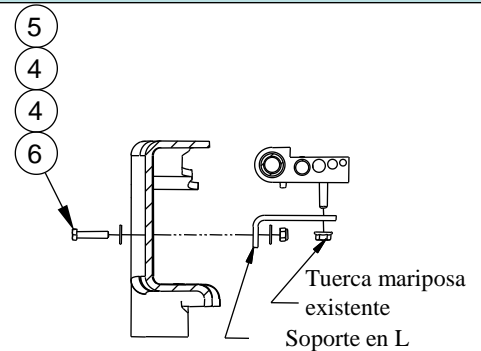


**Figura 3a**

Interior del larguero del bastidor



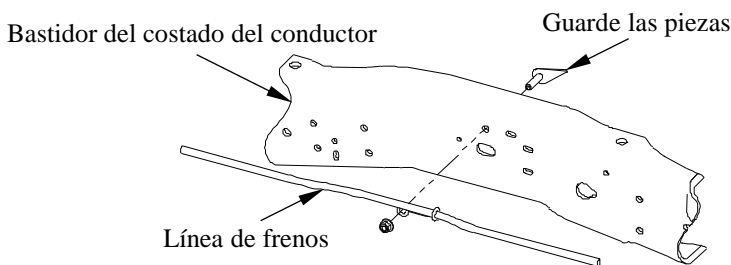
**Figura 3b**



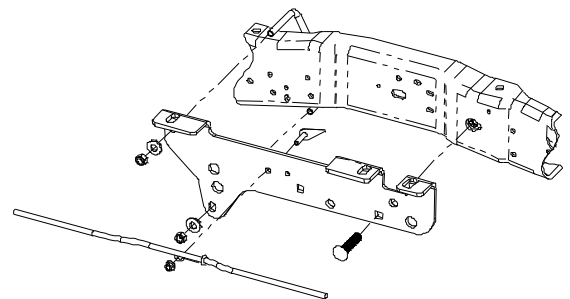
**Figura 3c**

**Instrucciones de instalación**

1. Baje y retire la llanta de repuesto si es necesario el espacio adicional para la instalación.
2. **Para modelos de motor de gas 2005 y posteriores únicamente** El tubo de vapor que va a lo largo del costado interior del larguero del bastidor del costado del conductor se debe volver a instalar antes de instalar el soporte del costado del conductor. Ver Figura 3a. Quite la tuerca mariposa del exterior del bastidor y guarde para uso posterior. Ver Figura 3b. Rote todos los tubos hacia arriba y afuera del camino. Instale el soporte el L con piezas de 1/4", como se muestra en la Figura 3c. Apriete el soporte en L al bastidor, pero deje el retenedor del tubo suelto como ayuda en la instalación del soporte.
3. **En vehículos 1999 a 2004 únicamente.** Retire el gancho del cable del freno de emergencia superior del bastidor del vehículo y guarde las piezas. Ver Figura 4a.



**Figura 4a**



**Figura 4b**

4. Coloque el larguero de montaje popa en la caja del vehículo. Usando la cinta de medir, centre el larguero entre las costuras de soldar a lo largo del piso del vehículo y la distancia correcta desde el borde posterior de la caja del vehículo como se ilustra en la Figura 5. Ver página 3 para instalar los soportes en los largueros. Ver abajo para instalar los soportes en el bastidor.
5. Marque y centre los orificios según la ilustración en la Figura 5. Mueva el larguero del camino y perforo cada posición con una broca de 1/8". **Advertencia: Al perforar los orificios tenga en cuenta los riesgos potenciales para los componentes del vehículo como las líneas de frenos y los tanques de combustible, para los componentes del vehículo y tome las medidas necesarias para protegerlos de daños.**
6. Coloque temporalmente los soportes del bastidor en el exterior del bastidor y revise que los orificios perforados de 1/8" se alineen con las ranuras del soporte del bastidor. Retire el soporte del bastidor del vehículo.
7. Incremente los orificios perforados de 1/8" a 9/16" con el taladro. **Advertencia: Al perforar los orificios tenga en cuenta los riesgos potenciales para los componentes del vehículo como las líneas de frenos y los tanques de combustible, para los componentes del vehículo y tome las medidas necesarias para protegerlos de daños.**

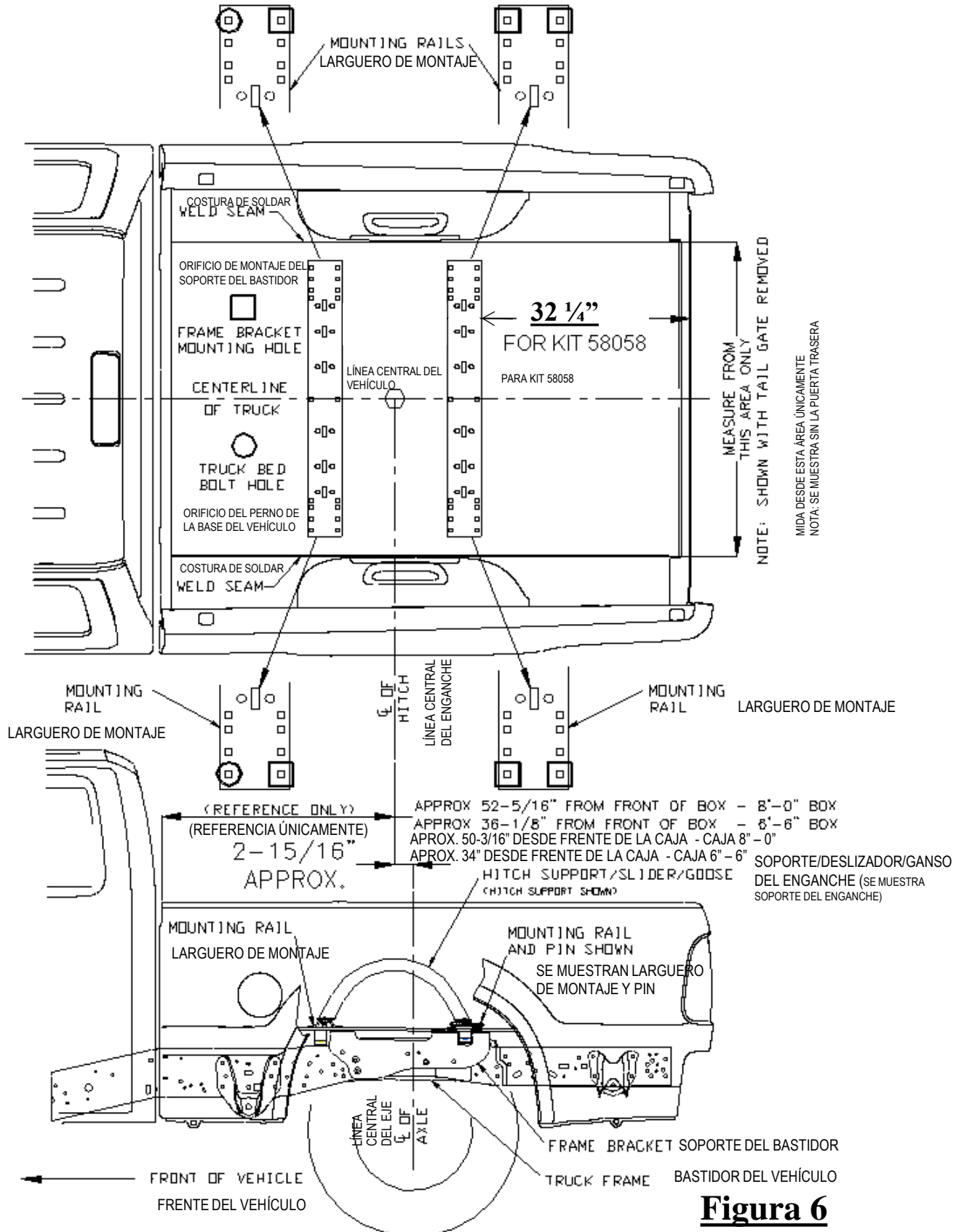


8. **Instale sin apretar los soportes del bastidor posterior de la siguiente manera:**
- a. **Para kit de largueros 1999-2004** Use las piezas que se quitaron en el paso 3 para instalar el cable superior del freno al soporte del bastidor como se muestra en la Figura 4b.
  - b. Coloque los soportes del bastidor de manera que las dos lengüetas posteriores de unión en el soporte queden en cualquiera de los lados del apoyo posterior de la base, como se muestra en la Figura 1.
  - c. Instale el soporte al bastidor del vehículo con los pernos de 1/2", los pernos en U (12), las tuercas (1) y las arandelas cónicas (4) como se muestra en la Figura 1. Apriete las tuercas a mano, únicamente.
  - d. **Para vehículos 2008 y posteriores:** Use la ranura en el bastidor que está sobre el eje para instalar el soportes del bastidor con el perno de carruaje de 5/8"(5). Verifique que usa un espaciador de 5/8" (8) entre el soporte y el bastidor. Ver Figura 2. Instale el perno de 5/8"(5) al interior del bastidor con el espaciador de 1/4" x 1-1/2" x 3" (3), arandela de bloqueo (2) y tuerca hexagonal (1). Apriete a mano únicamente.
  - e. **Para vehículos 1999-2007:** Use la ranura en el bastidor que está debajo del soporte posterior de la base para instalar el soportes del bastidor con el perno de carruaje de 5/8"(5). El espaciador de 5/8" (8) **no se debe usar** entre el soporte y el bastidor. Ver Figura 2. Instale el perno de 5/8"(5) al interior del bastidor con el espaciador de 1/4" x 1-1/2" x 3" (3), arandela de bloqueo (2) y tuerca hexagonal (1). Apriete a mano únicamente.
9. Vuelva a colocar el larguero de montaje sobre los orificios.
10. Instale los pernos de carruaje de 1/2" x 2" de largo con los espaciadores en forma de U en el corrugado entre la caja y los largueros. **Nota:** El espaciador en forma de U tendrá que instalarse antes de insertar los pernos de carruaje de 1/2" a través del larguero de montaje y el piso de la caja. Esto asegura un contacto de metal a metal. No se necesita un espaciador en U para la instalación en el centro del larguero. Instale los pernos de carruaje(6) en los extremos de los largueros con espaciadores (3), arandelas de bloqueo (2) y tuercas (1) según la Figura 1 y apriete hasta ajustar para impedir que el larguero de montaje se mueva. Instale el perno de carruaje (6) en el centro con una arandela (4) cónica y tuerca (1).
11. Coloque la 5ta rueda/monturas/deslizador/ganso sin instalar dentro del larguero de montaje ya instalado. Coloque el segundo larguero de montaje con el deslizador/montura/ganso insertando las lengüetas dentro del larguero de montaje y empujando el larguero de montaje firmemente hacia el otro larguero de montaje. Verifique que el larguero de montaje esté centrado entre las costuras de soldar a lo largo del piso de la caja del vehículo. Esto posicionará el larguero en la ubicación correcta y verificará que la quinta rueda quede ajustada en el vehículo. **NOTA:** Si se va a usar más de un producto de enganche con los largueros entonces se deben usar ambos al mismo tiempo para alinear el segundo larguero. Esto asegurará que un producto no comprometa el ajuste del otro.
12. Repita los pasos anteriores para el otro lado del vehículo.
13. Apriete los tornillos en la siguiente secuencia. 1) apriete los largueros de montaje en los soportes del bastidor 2) apriete los soportes del bastidor al bastidor del vehículo. **Apriete a torsión todas las piezas de 1/2" Grado 5 a 72 pies-lbs (98 N-m), 5/8" Grado 5 a 150 pies-lbs (204 N-m) y las de 5/8" Grado 8 a 212 pies-lbs (287 Nm).**
14. **Para modelos de motor de gas 2005 y posteriores únicamente** Use la tuerca mariposa de fabrica que se retiró en el paso 2 para apretar el retenedor de tubo en el soporte en L como se muestra en la Figura 3c.
15. Vuelva a instalar la llanta de repuesto si se retiró.

# OPTION 1

OPCIÓN 1 – DIMENSIONES ESPECÍFICAS PARA EL KIT DE LARGUEROS 58058

## DIMENSIONS SPECIFIC FOR RAIL KIT 58058



**Figura 6**

# INSTRUCCIONES PARA USAR EL KIT DE LARGUEROS 30124 CON LA FORD SUPER DUTY F-250/F-350/F-450

- No instale largueros de montaje sobre los forros plásticos de la base. Los forros plásticos de la base deben cortarse para permitir contacto de metal a metal. Los largueros de montaje se pueden instalar en forros aplicados con spray.
- Use únicamente pernos, tuercas y arandelas suministradas para instalar este kit. Todos los pernos y tuercas son grado 5 a menos que se especifique lo contrario.
- Estas instrucciones son pautas únicamente, la instalación real es responsabilidad del instalador y del propietario. Siempre mida el vehículo y el remolque antes de instalar el enganche para verificar que haya espacio en la cabina y en el parachoques para permitir los giros.

**Equipo necesario:**

Kit de tornillos: 50082F

Llaves: 3/4, 7/8, 15/16, 15 mm

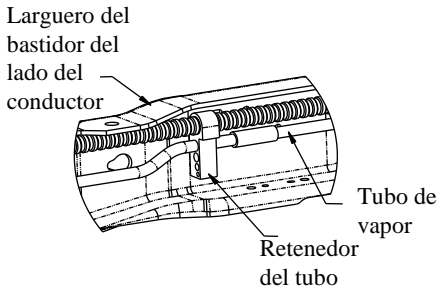
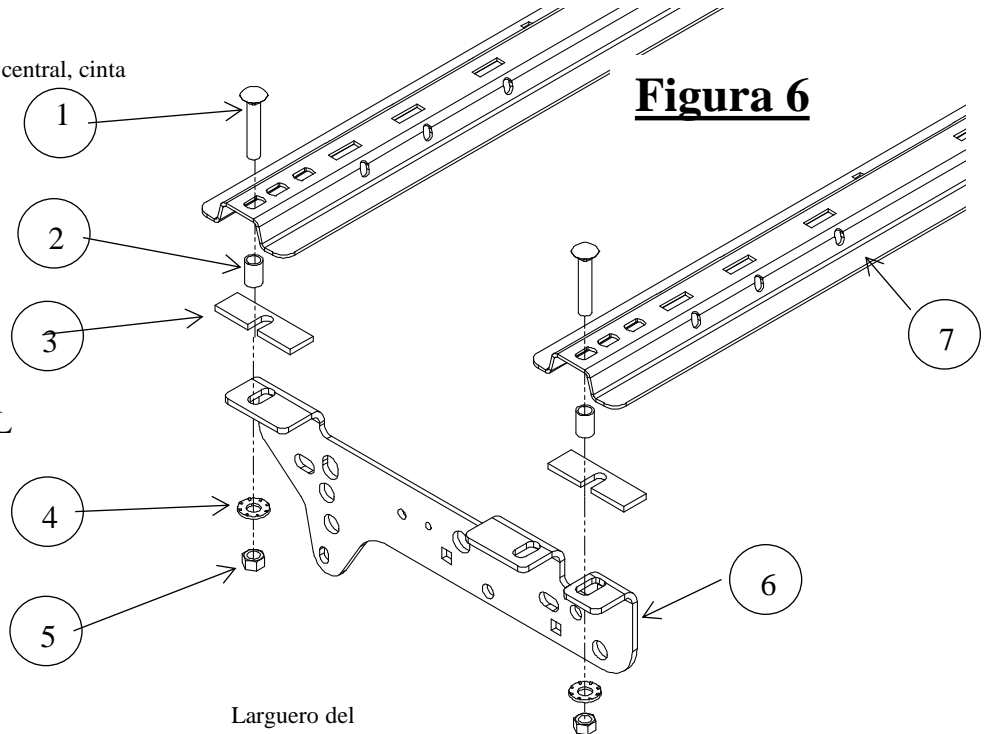
Brocas de taladro: 1/8", 11/16"

Otras herramientas: Perforador central, cinta de medir

## INSTALACIÓN DE 4 PERNOS

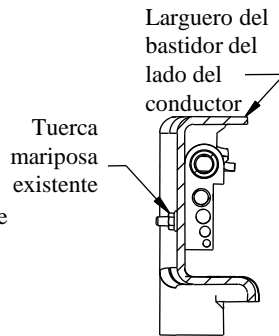
Las piezas y la instalación que se indican es la misma para el lado del pasajero.

FRENTE DEL VEHÍCULO

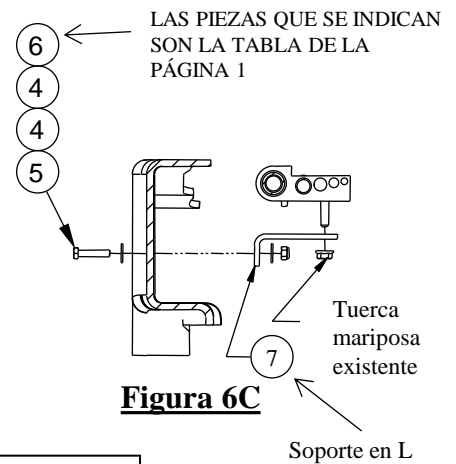


**Figura 6A**

Interior del larguero del bastidor



**Figura 6B**



**Figura 6C**

**Los sujetadores supplied con el número de parte 30035, 58058, 30095 o 30124.**

1. Baje y retire la llanta de repuesto si es necesario el espacio adicional
2. **Para modelos de motor de gas 2005 y posteriores únicamente** El tubo de vapor que va a lo largo del costado interior del larguero del bastidor del costado del conductor se debe volver a instalar antes de instalar el soporte del costado del conductor. Ver Figura 6a en la página anterior Quite la tuerca mariposa del exterior del bastidor y guarde para uso posterior. Ver Figura 6b. Rote todos los tubos hacia arriba y afuera del camino. Instale el soporte en L con piezas de 1/4", como se muestra en la Figura 6c. Apriete el soporte en L al bastidor, pero deje el retenedor del tubo suelto como ayuda en la instalación del soporte.
3. Coloque el larguero de montaje delantero en la caja del vehículo. Usando la cinta de medir, centre el larguero entre las costuras de soldar a lo largo del piso del vehículo y la distancia correcta desde el borde posterior de la caja del vehículo como se ilustra en la Figura 7. Ver página 1 o página 3 para instalar los soportes en los largueros y los soportes en el bastidor.
4. Marque y centre los orificios según la ilustración en la Figura 8. Mueva el larguero del camino y perforo cada posición con una broca de 1/8". **Advertencia: Al perforar los orificios tenga en cuenta los riesgos potenciales para los componentes del vehículo, como las líneas de freno y los tanques de combustible, y tome las medidas necesarias para protegerlos de daños.**
5. Coloque temporalmente los soportes del bastidor en el exterior del bastidor y revise que los orificios perforados de 1/8" se alineen con las ranuras del soporte del bastidor. Retire el soporte del bastidor del vehículo.
6. Incremente los orificios perforados de 1/8" a 11/16" con el taladro. **Advertencia: Al perforar los orificios tenga en cuenta los riesgos potenciales para los componentes del vehículo como las líneas de frenos y los tanques de combustible, para los componentes del vehículo y tome las medidas necesarias para protegerlos de daños.**
7. Sin apretar instale los soportes del bastidor alineando los soportes con orificios en el bastidor como se muestra en la página 1 para vehículos 2011 o en la página 3 para vehículos más viejos. Ajuste los pernos. No apriete.
8. Vuelva a colocar el larguero de montaje sobre los orificios.
9. Coloque un espaciador de 5/16" (3) entre el larguero (7) y la base si el orificio perforado en la base está en el fondo del corrugado. Si el orificio está sobre el corrugado, coloque el espaciador (3) entre el fondo de la base y el soporte debajo de la base.
10. Coloque los espaciadores de tubo (2) de 1-1/4" debajo de los largueros (7).
11. Inserte los pernos de carruaje de 5/8" (1) a través de los largueros y los orificios en la base como se muestra en la Figura 6.
12. Instale las arandelas cónicas de 5/8" (4) y tuercas (5) de 5/8" en los pernos. Ajuste las piezas.
13. Coloque la 5ta rueda/monturas/deslizador/ganso sin instalar dentro del larguero de montaje ya instalado. Coloque el segundo larguero de montaje con el deslizador/montura/ganso insertando las lengüetas dentro del larguero de montaje y empujando el larguero de montaje firmemente hacia el otro larguero de montaje. Verifique que el larguero de montaje esté centrado entre las costuras de soldar a lo largo del piso de la caja del vehículo. Esto posicionará el larguero en la ubicación correcta y verificará que la quinta rueda quede ajustada en el vehículo. **NOTA:** Si se va a usar más de un producto de enganche con los largueros entonces se deben usar ambos al mismo tiempo para alinear el segundo larguero. Esto asegurará que un producto no comprometa el ajuste del otro.
14. Repita los pasos anteriores para el otro lado del vehículo.
15. Apriete los tornillos en la siguiente secuencia. 1) apriete los largueros de montaje en los soportes del bastidor 2) apriete los soportes del bastidor al bastidor del vehículo. **Apriete a torsión todas las piezas de 1/2" Grado 5 a 72 pies-lbs (98 N-m), 5/8" Grado 5 a 150 pies-lbs (204 N-m) y las de 5/8" Grado 8 a 212 pies-lbs (287 Nm).**
16. **Para modelos de motor de gas 2005 y posteriores únicamente** Use la tuerca mariposa de fabrica que se retiró en el paso 2 para apretar el retenedor de tubo en el soporte en L como se muestra en la Figura 3c.
17. Vuelva a instalar la llanta de repuesto si se retiró.

### GARANTÍA LIMITADA DE POR VIDA

Número de parte: \_\_\_\_\_  
Propietario original: \_\_\_\_\_

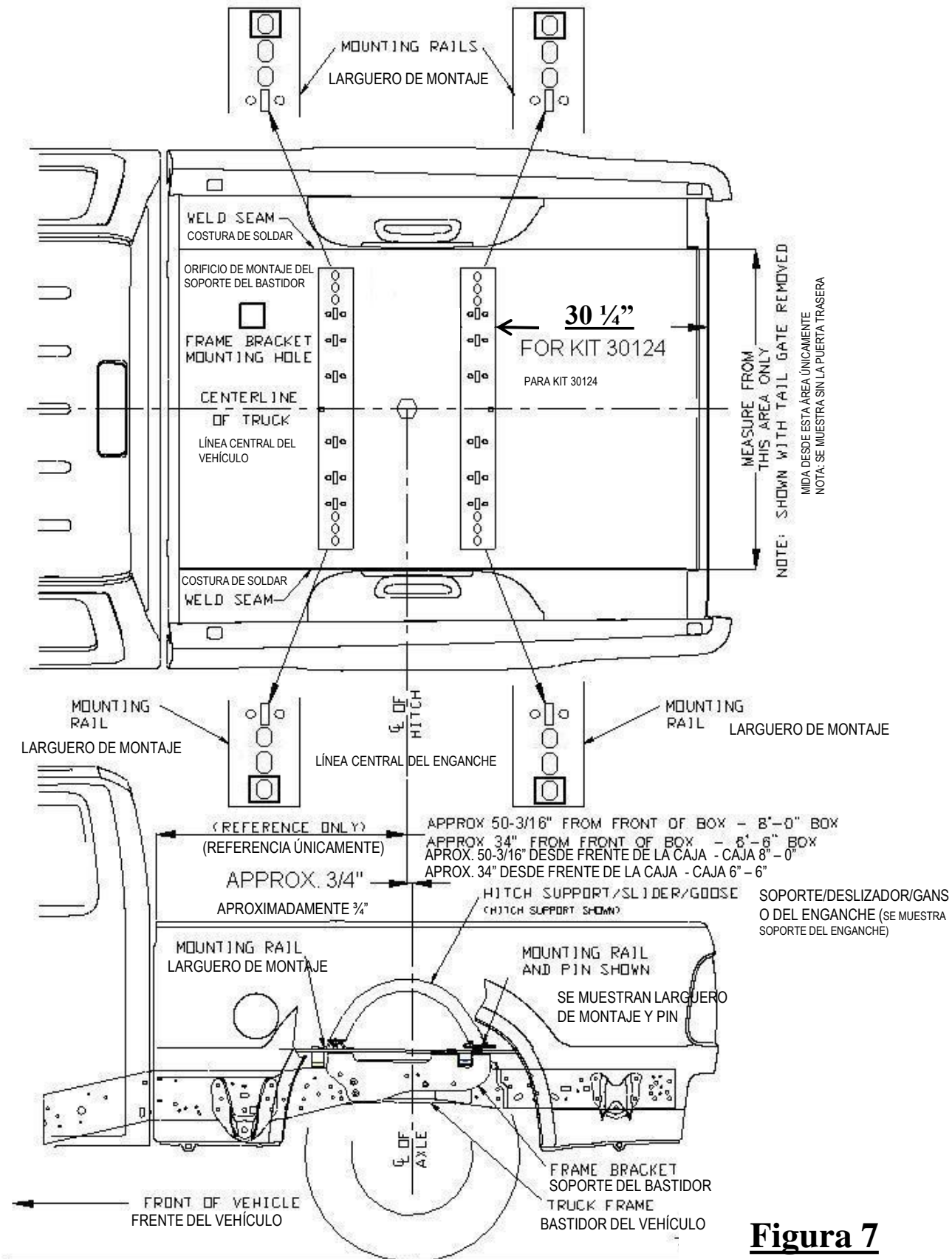
Fecha de compra original: \_\_\_\_\_  
Instalador Original: \_\_\_\_\_

1. Garantía limitada de por vida ("garantía"). Cequent Performance Products, Inc. ("nosotros" o "nos") garantiza al comprador original solamente ("Usted") que el producto estará libre de defectos materiales en materiales y mano de obra, desgaste normal exceptuado; a condición de que la instalación y el uso del producto es de conformidad con las instrucciones del producto. No existen otras garantías, expresas o implícitas, incluyendo la garantía de comerciabilidad o aptitud para un propósito particular. Esta garantía no es transferible.
2. Limitaciones de la garantía. Esta garantía no cubre: (a) desgaste normal; (B) los daños causados por abuso, negligencia, mal uso, o como resultado de cualquier accidente o de cualquier otra forma; (C) los daños causados por uso indebido, la sobrecarga, o una instalación inadecuada; (D) el mantenimiento y la reparación inadecuada; y (e) la alteración producto de cualquier manera por alguien que no somos, con la única excepción de las modificaciones realizadas de conformidad con las instrucciones del producto y de manera profesional.
3. Obligaciones del Comprador. Para hacer un reclamo de garantía, póngase en contacto con nosotros, a nuestra dirección principal de 47.912 driza Dr. Suite 100, Plymouth, MI 48170, 1-888-521-0510, identificar el producto mediante el número de modelo, y siga las instrucciones de reclamaciones que serán proporcionados. Cualquier producto devuelto que se reemplaza por nosotros se convierte en nuestra propiedad. Usted será responsable de los gastos de envío. Guarde el comprobante de compra para verificar la fecha de compra y que Usted es el comprador original. El producto y el recibo de compra deben ser proporcionados a nosotros con el fin de procesar su solicitud de garantía.
4. Solución Límites. Sustitución del producto es su único remedio bajo esta garantía. No nos hacemos responsables de los servicios de mano de obra o los gastos incurridos en la eliminación o sustitución de un producto o los daños y perjuicios incidentales o emergentes de cualquier tipo.
5. Asunción de riesgo. Usted reconoce y acepta que cualquier uso del producto para cualquier propósito que no sea el uso (s) especificado se indica en las instrucciones del producto es bajo su propio riesgo.
6. Legislación aplicable. Esta garantía le otorga derechos legales específicos, y usted también puede tener otros derechos que varían de estado a estado. Esta garantía se rige por las leyes del Estado de Michigan, sin tener en cuenta las normas relativas a los conflictos de leyes. Los tribunales estatales ubicados en el condado de Oakland, Michigan tendrán jurisdicción exclusiva para cualquier disputa relacionada con esta garantía.

# OPTION 2

OPCIÓN 2 – DIMENSIONES ESPECÍFICAS PARA EL KIT DE LARGUEROS 30124

## DIMENSIONS SPECIFIC FOR RAIL KIT 30124



**Figura 7**