

# Installation Instructions

Part Numbers:

## Round Bar Pro



**49911**

**49912**

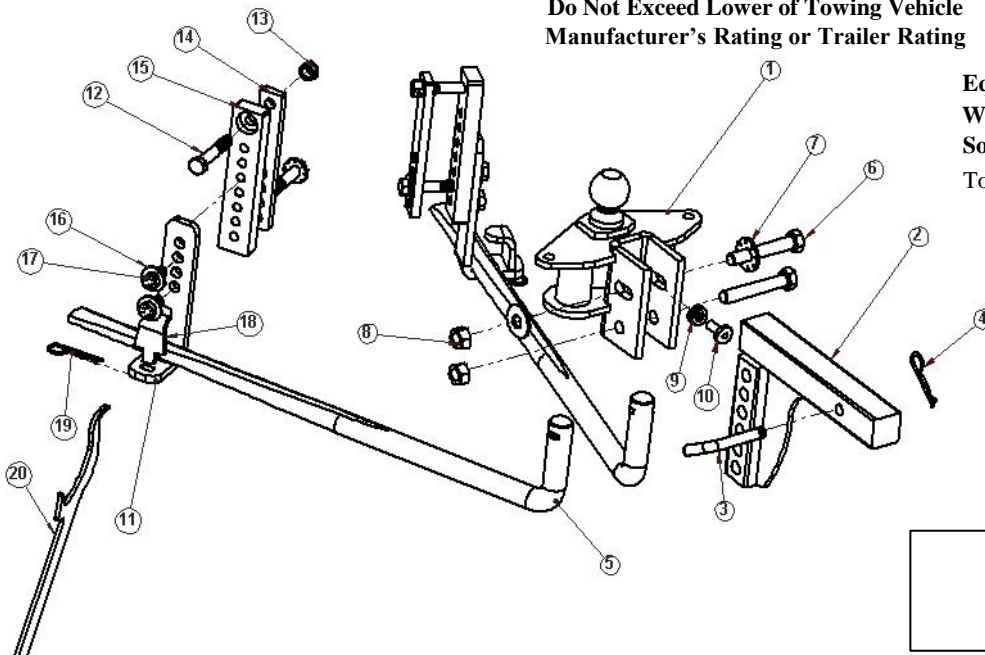
**49913**

**DEALERS:** Please give these instructions to your customer.

Hitch Part Number 49911	Max Gross Trailer WT (LB)	Max Tongue WT (LB)	Hitch Part Number 49912	Max Gross Trailer WT (LB)	Max Tongue WT (LB)
Weight Distributing	<b>6,000</b>	<b>600</b>	Weight Distributing	<b>8,000</b>	<b>800</b>
Weight Carrying Ball Mount	<b>5,000</b>	<b>500</b>	Weight Carrying Ball Mount	<b>5,000</b>	<b>500</b>

Hitch Part Number 49913	Max Gross Trailer WT (LB)	Max Tongue WT (LB)
Weight Distributing	<b>11,500</b>	<b>1,150</b>
Weight Carrying Ball Mount	<b>5,000</b>	<b>500</b>

**Do Not Exceed Lower of Towing Vehicle Manufacturer's Rating or Trailer Rating**



**Equipment Required:**

**Wrenches:** 7/8", 3/4", 1-1/8"

**Socket:** 3/4", 1-1/8"

Torque Wrench capable of reading 260 ft.-lbs.

For Installation Assistance  
or Technical Help  
Call 1-800-632-3290

①	Qty. (1)	BALL MOUNT	⑪	Qty. (2)	SPRING BAR L BRACKET
②	Qty. (1)	HITCH BAR	⑫	Qty. (4)	5/8-11X3.5" HEX BOLT
③	Qty. (1)	HITCH BAR PULL PIN	⑬	Qty. (2)	5/8-11 LOCK NUT
④	Qty. (1)	HITCH BAR PULL PIN SPRING CLIP	⑭	Qty. (2)	INNER FRAME BRACKET
⑤	Qty. (2)	SPRING BAR	⑮	Qty. (2)	OUTER FRAME BRACKET
⑥	Qty. (2)	3/4-10X4.5" HEX BOLT	⑯	Qty. (6)	5/8" LOCK WASHER
⑦	Qty. (2)	3/4" SERRATED WASHER	⑰	Qty. (4)	5/8-11X1.5" HEX BOLT
⑧	Qty. (2)	3/4-10 LOCK NUT	⑱	Qty. (2)	SPRING BAR COVER
⑨	Qty. (7)	SPACER WASHER	⑲	Qty. (2)	COVER CLIP
⑩	Qty. (1)	BALL MOUNT ADJUSTMENT RIVET	⑳	Qty. (1)	LIFTING HANDLE

# Installation Instructions

## Round Bar Pro



Part Numbers:

**49911**

**49912**

**49913**

### INDEX

1. SIZING WD AND TRAILER HITCH SYSTEMS	P. 1
2. INITIAL SET UP	P. 2 - 3
3. INITIAL HOOK UP	P. 3 - 4
4. WARNINGS	P. 4-5
5. TOWING TIPS	P. 5
6. NOTES	P. 6
7. WARRANTY	P. 6



### **WARNING:**

**Failure to follow all instructions may result in death or serious injury!**

### **SIZING WD AND TRAILER HITCH SYSTEMS**

1. Refer to provided Consumer Information to weigh loaded trailer tongue to determine proper system size.
2. Choose a system with tongue rating at or above the actual trailer tongue weight
3. Tongue rating of trailer hitch must meet or exceed measured tongue weight of trailer. OEM hitches may not be rigid enough for tongue weight and may need to be replaced (too much flex and won't carry load).
4. Total trailer gross weight rating must never exceed tow vehicle rated gross tow rating.
5. This system works on trailer frames 1.5" – 2" wide and 4" to 7" tall, with top or bottom mount couplers.

### **INITIAL SET-UP**

**NOTE: Some truck and trailer combinations can be prone to sway such as short wheel base tow vehicles towing long trailer. Ensure vehicle tow ratings meet or exceed trailer GVWR, ensure proper trailer loading to maintain 10% to 15% tongue weight, upgrade tow vehicle tires to heavier load ratings, and when additional sway control may be required an optional Reese friction sway bar #83660 can be added to the RB Pro.**

1. Line up tow vehicle and trailer on level pavement, in straight-ahead position, uncoupled.
2. Level the trailer and measure and record the distance from the ground to the top of the coupler. (Fig.1).

**WARNING: Raised balls usually have reduced load ratings. Ball rating MUST equal or exceed trailer GVWR.**

Note: Numbers in circles can be found in the chart on page (1)

3. Some installations may require a longer hitch bar . Extended bumper guards, pickup truck "caps", or rear mounted spare tires can limit turn angles unless a longer bar is used. Individual hitch bars (2) are available in various sizes.
4. Insert the hitch bar (2) into the hitch box and install a pull pin (3) and spring clip (4) . Hitch bar (2) may be used in either the up or down position (see Fig. 2).

**NOTE:** The ball height should be greater the than coupler height by approximately 3/4 to 1" (measured in step 2) to compensate for vehicle squat. For vehicles with air springs, air shocks or an automatic leveling system, check vehicle owner's manual. Unless otherwise specified, make sure you adjust the ball mount and do the trailer set up with the trailer and vehicle loaded as they will be when towing.

# Installation Instructions

Part Numbers:

## Round Bar Pro



49911  
49912  
49913

- With ball attached to ball mount, slide ball mount up or down hitch bar (hitch bar may be used in the up or down position) until nearest ball height dimension is obtained and holes line up with hitch bar. Insert bolt in bottom hole first (rest hitch head.)
- Rivet ⑩ and 7 spacer washers ⑨ are supplied in order to gain correct downward angle of spring bars. For an initial fitment, try 4 spacer washers for top mounted couplers and 3 spacer washers for bottom mounted couplers. Insert rivet ⑩ and depending on angle or slope of bars that must be gained, use the least amount of washers ⑨ necessary in order to establish correct angle. (See Fig. 1, 2, and 3 below.)

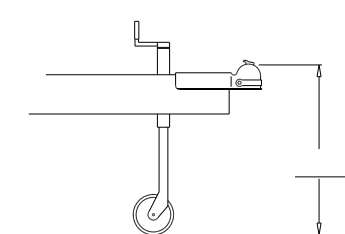


Fig. 1

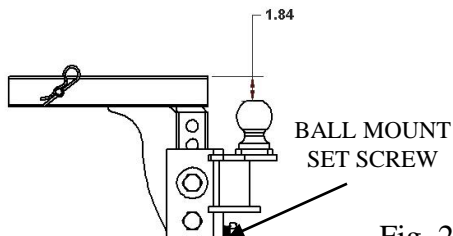
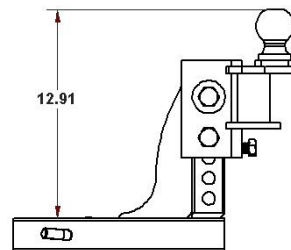


Fig. 2



- The rivet ⑩ and its accompanying washers ⑨ are placed in the 1/2" hole between the "U" on ball mount (1) to acquire desired angle of spring bar ⑤. Once spring bar ⑤ angle has been determined, insert top bolt ⑥ with serrated washer ⑦. Install second serrated washer ⑦ and nut ⑧ to secure unit in correct position. Before tightening bolts, lock (tighten) ball mount set screw. Tighten the 3/4" top bolt ⑥ to **260 ft. lbs. torque** once head angle is set. Secure lower bolt ⑥ to **260 ft. lbs. torque**. After first day of towing, check ball mount set screw for tightness.

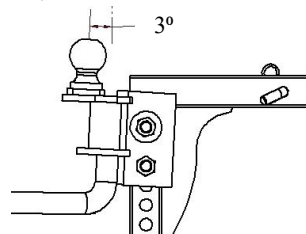
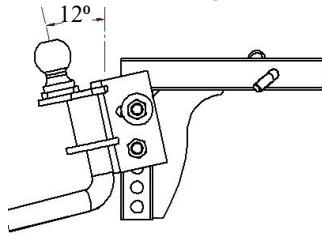


Fig. 3

EACH WASHER LOWERS BRACKET END OF SPRING BAR APPROX 1-1/2"

### INITIAL HOOK-UP

**NOTE:** Tow Vehicle and trailer should be loaded and ready for travel before final leveling.

- Pick a reference point on the front wheel well. Measure and record distance to pavement.  
Front wheel well to pavement \_\_\_\_\_
- Using tongue jack, lower coupler onto ball and close coupler latch.
- Apply grease to the ball mount ends of the spring bars. The spring bars can be inserted into either side of Ball Mount (there is no 'right' or 'left bar'). To insert and lock spring bar in socket, hold bar under socket and push up. The Spring Bar will automatically be locked into position by the Spring Bar Locking Device. (Check to make sure bar is locked in by moving it up and down at the frame bracket end.)
- To remove Spring Bars, just swing bar around under the bumper and it will drop free.

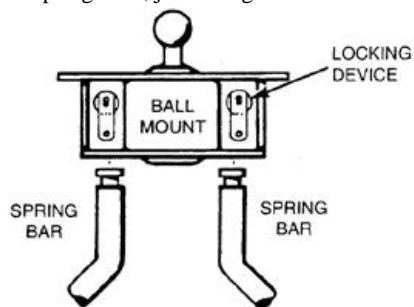


Fig. 4

# Installation Instructions

Part Numbers:

## Round Bar Pro



49911

49912

49913

5. Position inner (14) and outer frame brackets (15) 27.5" from the center of trailer coupler with bolt (12) through the top bolts as shown. Snug nut (13) to the back of the inner frame bracket (14). Insert lower bolt (12) with serrated washer (16) through inner frame bracket (14) as close to the underside of the trailer frame as possible, and snug bolt. Torque both bolts to **130 ft-lbs**. Note that brackets can be positioned up to 3" towards truck from nominal to clear objects on frame, but this may interfere with mounting for a friction sway bar.
6. Orient L-bracket (11) so that the bottom portion of the bracket is ~3" above the unloaded spring bar. Secure the L-bracket (11) to outer frame bracket (15) using 2 bolts (17) and lock washers (16). Bolts should be spaced with either 1 or 2 open holes between them (do not put both bolts next directly next to each other). Be mindful to not use the threaded hole that bolt (12) has used. Torque bolts (17) to **80 ft-lbs**.
7. Installing and removing spring bars onto L-brackets: extend trailer jack until spring bar ends are above the L-brackets. Adding a 6" x 6" block or support under the jack will make extension and raising the trailer faster and protect the jack from being extended to max travel. The higher you raise the trailer the easier to install or remove spring bars from L-brackets. Swing spring bars on to L-brackets as close to trailer frame as possible. Secure the spring bars by dropping in covers (18). Then secure the covers (18) using the pins (19) as shown below.

### LIFTING HANDLE USE

1. It is recommended that you use the trailer jack to raise and lower the trailer for application and removal of spring bars. If there is an issue, the lifting handle (20) included can be used to pry spring bars on to the L-brackets or off again. Caution should be used that the spring bars do not hit people or property. Stand clear of lift bar and spring bars. Caution: do not use lifting handle for any other use.

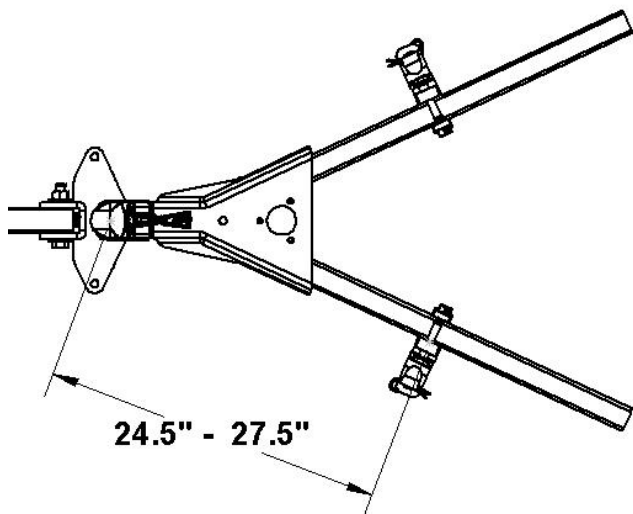


Fig. 5

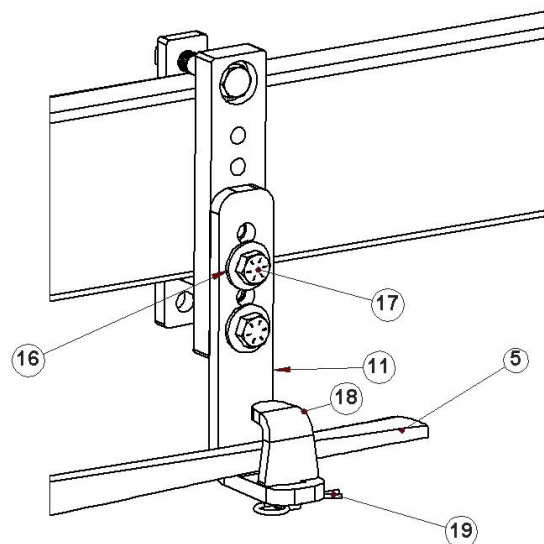


Fig. 6

8. Retract the jack. Re-measure front wheel well reference point. The front wheel well height should be equal to or lower than the original measurement. If the front wheel well height is higher than originally measured, increase the load on the spring bars by either raising the L bracket (11) position or adding spacer washers (9). If the front wheel well is lower than originally measured, reduce the load on the spring bars by either lowering the L bracket (11) position or removing spacer washers (9) then recheck the wheel well measurement. If the original wheel well height is not achievable, it is preferred that the wheel well height is lower after the spring bars are loaded. Adjusting height of the ball mount on the hitch bar may be necessary when adjusting the number of spacer washers.

### LUBRICATION

1. **MAINTENANCE:** Use heavy lubrication such as fiber type wheel bearing grease on hitch ball and on spring bars. Recommended every day. Keep hitch painted to prevent rust and check tightness of bolts regularly. Clean out old grease, do not let it harden inside of the Ball Mount.

### SURGE BRAKES

1. Some surge brakes will not work with weight distributing hitches. **CHECK TRAILER AND/OR SURGE BRAKE OPERATING INSTRUCTIONS FOR ANY SPECIAL REQUIREMENTS REGARDING WEIGHT DISTRIBUTING HITCHES.**  
Do not use sway control with surge brakes.

# Installation Instructions

## Round Bar Pro



Part Numbers:

**49911**

**49912**

**49913**

**WARNINGS:** LOADED BALL HEIGHT SHOULD NOT BE GREATER THAN UNCOUPLED BALL HEIGHT. Front wheel overload and loss of rear wheel traction can result, and can lead to unstable handling, reduced braking ability, and a tendency to "jackknife" when turning and braking at the same time. IF LOADED BALL HEIGHT IS GREATER THAN UNCOUPLED HEIGHT, reduce take-up on spring bars and re-measure until proper height is obtained.

**DO NOT TOW MULTIPLE TRAILERS:** Do not attempt to tow any type of trailer behind another trailer. Towing multiple trailers may cause severe instability, loss of control and/or structural failure, and may result in vehicle accident, property damage and personal injury. Towing multiple trailers is illegal in many jurisdictions.

**FRONT-WHEEL-DRIVE VEHICLES:** DO NOT ATTEMPT TO HOOK-UP OR TOW WITH REAR WHEELS OF TOWING VEHICLE REMOVED. Severe structural damage to towing vehicle, hitch, and trailer may result. A towing vehicle/trailer combination cannot be controlled adequately unless the towing vehicle's rear wheels are carrying their share of the load.

**MAINTENANCE:** Keep sockets in head assembly free of dirt and well lubricated. Excessive wear in this area may indicate overload or inadequate lubrication.

Keep head assembly exterior clean, especially the spring bar sockets. Do not allow dirt or stones to lodge between spring bar and head.

Keep hitch painted to prevent rust and maintain a good appearance. (Do not paint over labels)

**AT THE BEGINNING OF EVERY TOWING DAY:**

- Clean ball and coupler socket and coat ball lightly with grease.
- Check spring bar brackets and spring bars for wear.
- Check to see that all bolts are properly tightened and hitch pin and clip are securely in place.
- Check to see that electrical hookups are in working order, and that safety chains are connected.

### TOWING TIPS

**DRIVING:** Good habits for normal driving need extra emphasis when towing. The additional weight affects acceleration and braking, and extra time should be allowed for passing, stopping, and changing lanes. Signal well in advance of a maneuver to let other drivers know your intentions. Severe bumps and badly undulating roads can damage your towing vehicle, hitch, and trailer, and should be negotiated at a slow steady speed. IF ANY PART OF YOUR TOWING SYSTEM "BOTTOMS" OUT, OR IF YOU SUSPECT DAMAGE MAY HAVE OCCURED IN ANY OTHER WAY, PULL OVER AND MAKE A THOROUGH INSPECTION. CORRECT ANY PROBLEMS BEFORE RESUMING TRAVEL.

**CHECK YOUR EQUIPMENT:** Periodically check the condition of all your towing equipment and keep it in top condition.

**TRAILER LOADING:** Proper trailer loading is important. Heavy items should be placed close to the floor near the trailer axle. The load should be balanced side-to-side and firmly secured to prevent shifting. Tongue weight should be about 10-15 percent of the gross trailer weight for most trailers. Too low a percentage of tongue weight will often produce a tendency to sway. Excess weight on the tongue can also lead to sway and damage hitch and / or tow vehicle.

**SWAY CONTROLS:** A sway control system can help minimize the affects of sudden maneuvers, wind gusts, and buffeting caused by other vehicles. Use of a sway control is recommended for trailers with large surface areas, such as travel trailers.

**TIRE INFLATION:** Unless specified otherwise by the towing vehicle or trailer manufacturer, tires should be inflated to their maximum recommended pressure.

**TOWING VEHICLE AND TRAILER MANUFACTURERS' RECOMMENDATIONS:** Review the owners' manuals for your towing vehicle and trailer for specific recommendations, capacities, and requirements.

**POLE TONGUE TRAILERS:** If your trailer has a straight tongue (instead of an A-frame tongue), it will be necessary to use a pole tongue adapter. This adapter attaches to the trailer tongue, providing a place to attach the snap up brackets.

**PASSENGERS IN TRAILERS:** Trailers should NOT be occupied while being towed, under any circumstances.

**TRAILER LIGHTS, TURN SIGNALS, AND ELECTRIC BRAKES:** Always hook up trailer lights, turn signals, electric brakes and break-away switch connection (if so equipped) even for short trips.

**REMOVE HITCH WHEN NOT TOWING:** Remove hitch from towing vehicle receiver when not towing, to prevent contamination of head sockets, reduce chance of striking hitch on driveway ramps or other objects, and minimize damage in the event of a rear-end collision.





# Instructions d'installation

Numéros de pièce:

## Barre ronde Pro



49911

49912

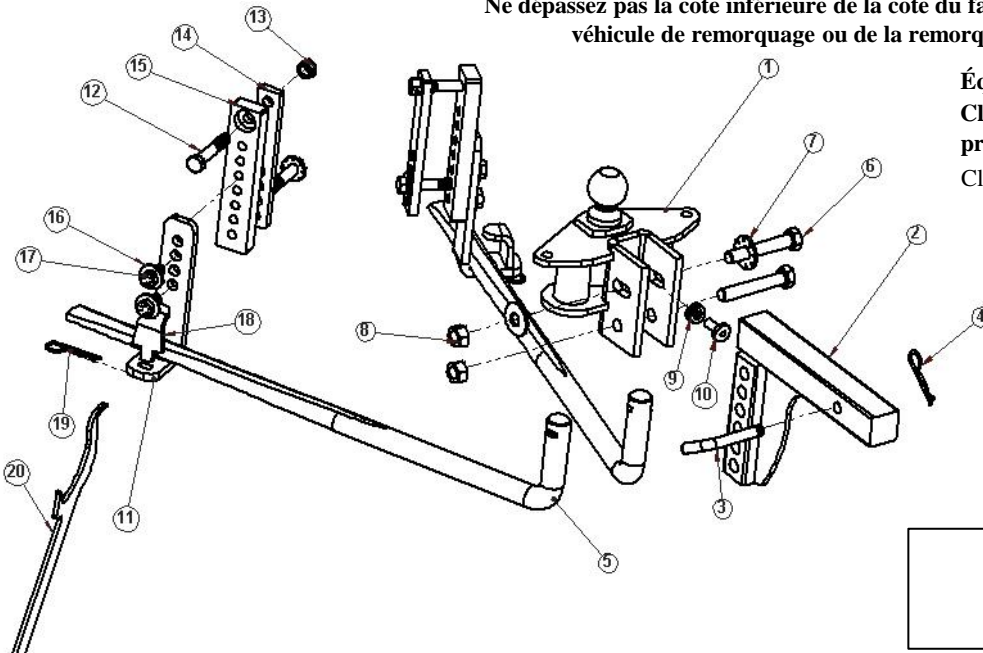
49913

**DEALERS: S'il vous plaît donner ces instructions à votre client.**

Numéro de pièce d'hitch 49911	Brut maximum caravane (LB)	Langue maximale pds (LB)	Numéro de pièce d'hitch 49912	Brut maximum caravane (LB)	Langue maximale pds (LB)
Répartition du poids	<b>6,000</b>	<b>600</b>	Répartition du poids	<b>8,000</b>	<b>800</b>
Transport de poids Mont de boule	<b>5,000</b>	<b>500</b>	Transport de poids Mont de boule	<b>5,000</b>	<b>500</b>

Numéro de pièce d'hitch 49913	Brut maximum caravane (LB)	Langue maximale pds (LB)
Répartition du poids	<b>11,500</b>	<b>1,150</b>
Transport de poids Mont de boule	<b>5,000</b>	<b>500</b>

**Ne dépassez pas la cote inférieure de la cote du fabricant du véhicule de remorquage ou de la remorque**



### Équipement requis:

Clés: 7/8", 3/4", 1-1/8"

prise: 3/4", 1-1/8"

Clé de couple capable de lire 260 ft.-lbs.

Pour l'aide à l'installation  
ou l'aide technique  
appeler 1-800-632-3290

①	Qty. (1)	MONT DE BOULE	⑪	Qty. (2)	ÉLASTICITÉ BARRE L SUPPORT
②	Qty. (1)	BARRE D'ATTELAGE	⑫	Qty. (4)	5/8-11X3.5" HEX VIS
③	Qty. (1)	ÉPINGLE DE TRACTION DE BARRE D'ATTELAGE	⑬	Qty. (2)	5/8-11 CLEF ÉCROU
④	Qty. (1)	BARRE D'ATTELAGE TIREZ LA GOUPILLE CLIP DE PRINTEMPS	⑭	Qty. (2)	SUPPORT DE CADRE INTÉRIEUR
⑤	Qty. (2)	BARRE DE PRINTEMPS	⑮	Qty. (2)	SUPPORT EXTERNE DE CADRE
⑥	Qty. (2)	¾-10X4.5" HEX VIS	⑯	Qty. (6)	5/8" À Dents Rondelle
⑦	Qty. (2)	¾" À Dents Rondelle	⑰	Qty. (4)	5/8-11X1.5" HEX VIS
⑧	Qty. (2)	¾-10 CLEF ÉCROU	⑱	Qty. (2)	ÉLASTICITÉ BARRE COUVERCLE
⑨	Qty. (7)	ENTRETOISE RONDELLE	⑲	Qty. (2)	COUVERCLE PINCE
⑩	Qty. (1)	BALLE MONTURE RÉGLAGE RIVET	⑳	Qty. (1)	POIGNÉE DE LEVAGE

# Instructions d'installation

## Barre ronde Pro



Numéros de pièce:

**49911**

**49912**

**49913**

### INDEX

1. DIMENSIONNEMENT WD ET LES SYSTÈMES D'ATTELAGE DE CARAVANE	P. 7
2. INITIALE CRÉER	P. 8 - 9
3. INITIALE CONNECTER	P. 9 - 10
4. AVERTISSEMENTS	P. 10-11
5. REMORQUAGE TIPS	P. 11
6. NOTES	P. 12
7. GARANTIE	P. 12

### **ALERTE:**

**Le non-respect de toutes les instructions peut entraîner la mort ou des blessures graves!**

### **DIMENSIONNEMENT WD ET CARAVANE NOEUD SYSTÈMES**

1. Se référer aux renseignements fournis sur les consommateurs pour peser la langue de remorque chargée pour déterminer la taille appropriée du système.
2. Choisissez un système avec la langue notation à ou au-dessus l'actuel caravane poids de la langue
3. Langue cote de d'attelage de caravane doit répondre ou dépasser le poids mesuré de la langue de caravane. Usine attelages pouvoir ne pas être assez rigide pour poids de la langue et peut avoir besoin d'être remplacé (trop de flex et ne portera pas de charge).
4. Total caravane poids brut cote ne doit jamais dépasser remorquer véhicule coté notation brute de remorquage.
5. Ce système fonctionne sur caravane châssis 1.5" – 2" large et large et 4" to 7" de grande taille, avec monture supérieure ou inférieure Coupleurs.

### **INITIALE CRÉER**

**Note: Un camion et caravane combinaisons peuvent être enclins à rouler tel petit base de roue remorquer véhicules remorquage long caravane. Assurer le véhicule remorquer cote répondre ou dépasser caravane GVWR, s'assurer qu'il est bon caravane chargement À maintenir 10% À 15% poids de la langue, mise à niveau du véhicule de remorquage pneus à plus lourd charge Cotes, et quand d'autres rouler contrôle peut être nécessaire une option Reese frottement rouler barre #83660 peut être ajouté à la RB Pro.**

1. S'aligner véhicule de remorquage et caravane sur la chaussée de niveau, dans droit-devant position, découplé.
2. Nivelier la caravane et mesurer et enregistrer la distance entre le sol et le haut de la Coupleur. (Fig.1).

**Alerte: Boules surélevées habituellement ont réduit charge cotes. Balle cotes devoir égal ou supérieur caravane GVWR.**

Remarque : Les nombres en cercles se trouvent dans le tableau page (1)

3. Certaines installations peuvent nécessiter une noeud barre. Gardes de pare-chocs étendus, « bouchons » de camionnette, ou pneus de rechange montés à l'arrière peut limiter tourner les angles à moins qu'un plus long barre est utilisé. individu noeud bars ② sont disponibles en différentes tailles.
4. Insérez le noeud barre ② dans le noeud box et installer une goupille de traction ③ et l'or élasticité capture ④ . Noeud barre ② peuvent être utilisés en position de haut ou de bas (voir Fig. 2).

**REMARQUE:** Le boule la hauteur devrait être plus grande que la hauteur du coupleur d'environ 3/4 À 1" (mesuré en étape 2) pour compenser le squat du véhicule. Pour les véhicules munis de ressorts d'air, de chocs d'air ou d'un système de nivellement automatique, vérifier le manuel du propriétaire du véhicule. Sauf indication contraire, assurez-vous d'ajuster le boule monter et faire le caravane mis en place avec le caravane et le véhicule chargé comme ils le seront lors du remorquage.



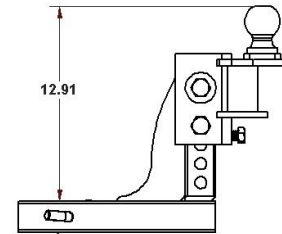
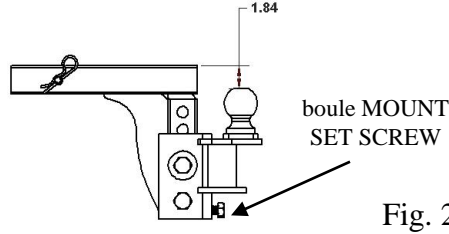
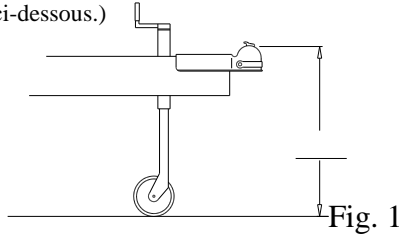
## Barre ronde Pro



49911  
49912  
49913

5. Avec boule attaché à boule monture, toboggan boule monter ou descendre noeud barre (noeud barre peut être utilisé dans la position vers le haut ou vers le bas) jusqu'à ce que le plus proche boule dimension de hauteur est obtenue et les trous s'alignent avec noeud barre . insérer vis dans le trou du fond d'abord (repos noeud tête.)

6. Rivet ⑩ et 7 rondelles d'espaceur ⑨ sont fournis afin d'obtenir un angle descendant correct de élasticité bars. Pour un ajustement initial, essayez 4 spacer laveurs pour coupleurs montés haut et 3 lave-linge d'espaceur pour les coupleurs montés en bas. insérer rivet ⑩ et selon l'angle ou la pente des barres qui doivent être acquises, utilisez le moins de rondelles ⑨ nécessaire afin d'établir un angle correct. (Voir Fig. 1, 2, and 3 ci-dessous.)



7. le rivet ⑩ et ses rondelles qui l'accompagnent ⑨ sont placés dans le 1/2" trou entre le "U" sur boule monter (1) pour acquérir l'angle désiré de élasticité barre ⑤. fois élasticité barre ⑤ l'angle a été déterminé, insérez le boulon supérieur ⑥ avec rondelle dentelée ⑦ . Installer la deuxième rondelle dentelée ⑦ et écrou ⑧ pour sécuriser l'unité en bonne position. Avant de serrer les boulons, verrouiller (serrer) boule monture à vis . Resserrer le 3/4" Retour au début vis ⑥ à **260 ft. lbs. torsion** une fois que l'angle de tête est réglé. Sécuriser plus bas vis ⑥ À **260 ft. lbs. torsion**. Après le premier jour de remorquage, vérifier boule vis de montage pour étanchéité.

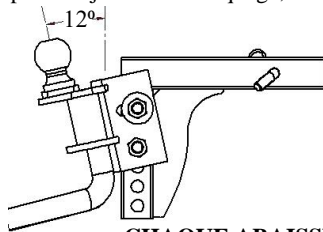
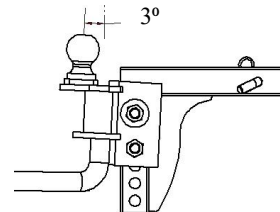


Fig. 3



**CHAQUE ABAISSEMENTS SUPPORT DE LAVE-LINGE FIN DE ÉLASTICITÉ BARRE APPROX 1-1/2"**

### BRANCHEMENT INITIAL

**NOTE:** remorquer véhicule et caravane doit être chargé et prêt pour le voyage avant le nivellement final.

1. Choisissez un point de référence sur la roue avant bien. Mesurer et enregistrer la distance de la chaussée.

Roue avant bien à la chaussée \_\_\_\_\_

2. À l'aide de la langue jack, coupleur inférieur sur boule et loquet de coupleur proche.

3. Appliquer de la graisse sur le boule monter les extrémités de la élasticité barre. le élasticité barre peuvent être insérés dans chaque côté de boule Mont (il n'y a pas de 'droite' ou 'gauche' barre ). Pour verrouiller, insérer et verrouiller élasticité barre dans la prise, tenir barre sous la prise et pousser vers le haut. le élasticité barre verbe au futur de l'indicatif être automatiquement verrouillé en position par le élasticité barre Dispositif de verrouillage. (Vérifiez que la barre est verrouillée en la déplaçant vers le haut et vers le bas à l'extrémité du support de cadre.)

4. Pour supprimer élasticité barre, ou de balançoire barre autour sous le pare-chocs et il tombera libre.

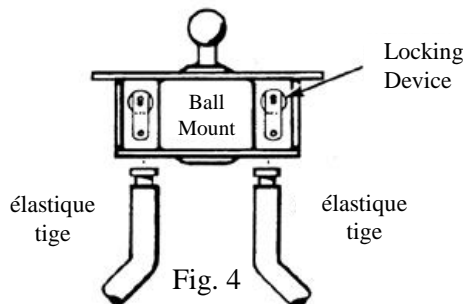


Fig. 4

## Barre ronde Pro



49911

49912

49913

5. Position intérieure (14) et supports de cadre extérieur (15) 27.5" du centre de caravane coupleur avec vis (12) à travers les boulons supérieurs comme indiqué. Snug écrou (13) à l'arrière du support de cadre intérieur (14). Insérer vis inférieur (12) avec laveuse dentelée (16) à travers support de cadre intérieur (14) aussi près de la sous la partie inférieure de la caravane cadre que possible, et confortable vis. Torsion deux vis à **130 ft-lbs**. Notez que les parenthèses peuvent être positionné jusqu'à 3" vers amion de nominal à effacer les objets sur le cadre, mais cela peut interférer avec le montage pour un frottement se balancer barre .

6. Orient L-support (11) de sorte que la partie inférieure de la accolade est ~3" au-dessus de la déchargée élasticité barre . Sécuriser le L-support (11) au cadre extérieur support (15) Utilisant 2 vis (17) et les rondelles de serrure (16). Vis doit être espacé avec 1 ou 2 trous ouverts entre eux (ne mettez pas les deux vis directement à côté de l'autre). être attentifs À n'utilisent pas le vis trou qui vis (12) a utilisé. Torsion vis (17) à **80 ft-lbs**.

7. étendre caravane se lever jusqu'à ce que élasticité barre Extrémités sont au-dessus de la L-supports. Ajout d'un bloc ou le soutien dans le cadre de la lever fera l'extension et l'augmentation de la caravane plus rapidement et protéger le lever de flambement. Balançoire élasticité barre sur à L-support aussi près de caravane cadre que possible. Sécuriser le élasticité barre en tombant dans les couvertures (18). Puis sécuriser les couvertures (18) en utilisant les broches (19) comme indiqué ci-dessous.



### UTILISATION DE POIGNÉE DE LEVAGE

1. Il est recommandé d'utiliser le caravane lever pour augmenter et abaisser la caravane pour l'application et la suppression des élasticité barre. S'il y a un problème, la poignée de levage (20) inclus peut être utilisé pour soulever élasticité barre sur le sur le L-supports ou à nouveau. Il faut faire preuve de prudence quant au fait que le élasticité barre ne frappez pas les personnes ou les biens. Tenez-vous à l'écart de l'ascenseur barre et élasticité barre.

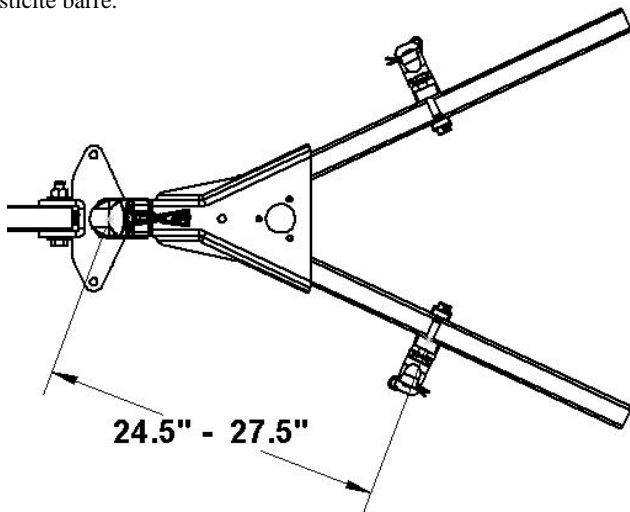


Fig. 5

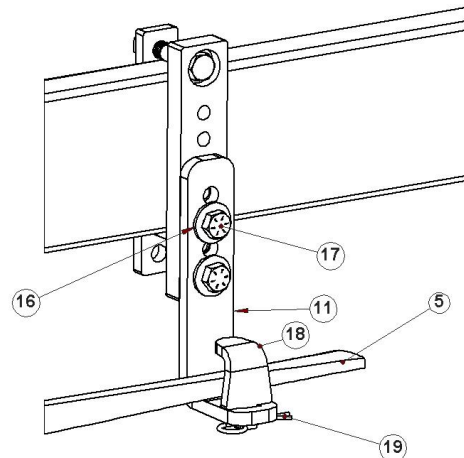


Fig. 6

8. Rétracter le cric. Re-mesurer le point de référence de puits de roue avant. La hauteur du puits de roue avant doit être égale ou inférieure à la mesure d'origine. Si la hauteur du puits de la roue avant est plus élevée qu'à l'origine mesurée, augmentez la charge sur les barres d'élasticité en soulevant soit le support L (11) position ou ajout de rondelles d'espaceur (9). Si le puits de la roue avant est inférieur à ce qui a été mesuré à l'origine, réduisez la charge sur les barres d'élasticité en abaissant la position du support L (11) ou en enlevant les rondelles d'espaceur (9), puis vérifiez à nouveau la mesure du puits de roue. Si la hauteur du puits de roue d'origine n'est pas réalisable, il est préférable que la hauteur du puits de roue soit plus basse après le chargement des barres d'élasticité. Il peut être nécessaire d'ajuster la hauteur de la monture de boule sur la barre noeud lors de l'ajustement du nombre de rondelles d'espacement.

### LUBRIFICATION

1. **MAINTENANCE:** Utilisez une lubrification lourde comme la graisse de roulement de roue de type fibre sur le boule noeud et sur les barres d'élasticité. Recommandé tous les jours. Gardez noeud peint pour prévenir la rouille et vérifier l'étanchéité des boulons régulièrement. Nettoyez la vieille graisse, ne la laissez pas durcir à l'intérieur du mont de boule.

### FREINS DE SURTENSION

1. Certains freins de surtension ne fonctionneront pas avec des attelages de distribution de poids. **VÉRIFIER LE FONCTIONNEMENT DES FREINS DE CARAVANE ET/OU DE SURTENSION INSTRUCTIONS POUR TOUTES LES EXIGENCES SPÉCIALES CONCERNANT LA DISTRIBUTION DE POIDS HITCHES.** N'utilisez pas de contrôle d'autoroute avec les freins de surtension.

# Instructions d'installation

## Barre ronde Pro



Numéros de pièce:

**49911**

**49912**

**49913**

**AVERTISSEMENTS:** LA HAUTEUR DE LA BOULE CHARGÉE NE DOIT PAS ÊTRE SUPÉRIEURE À CELLE DE LA BOULE. La surcharge de roue avant et la perte de traction de la roue arrière peuvent entraîner, et peuvent entraîner une manipulation instable, une capacité de freinage réduite et une tendance au « couteau » lors du virage et du freinage en même temps. SI LA HAUTEUR DE LA BOULE EST CHARGÉE EST SUPÉRIEURE À UNE HAUTEUR NON COLLÉE, réduire l'admission sur les barres d'élasticité et remesurer jusqu'à ce que la hauteur soit obtenue.

**NE REMORQUEZ PLUSIEURS REMORQUES :** N'essayez pas de remorquer tout type de caravane derrière une autre caravane. Le remorquage de plusieurs remorques peut causer une instabilité grave, une perte de contrôle et/ou une défaillance structurale, et peut entraîner un accident de véhicule, des dommages matériels et des blessures corporelles. Le remorquage de plusieurs remorques est illégal dans de nombreuses juridictions.

**VÉHICULES À TRACTION AVANT: NE TENTEZ PAS DE RECONNAÎTRE OU DE REMETTRE AVEC LES ROUES ARRIÈRE ÉTEINTE DE REMORQUER LE VÉHICULE ENLEVÉ.** Des dommages structurels graves au véhicule de remorquage, au noeud et à la caravane peuvent en résulter. Une combinaison véhicule de remorquage/caravane ne peut pas être contrôlée adéquatement à moins que les roues arrière du véhicule de remorquage ne transportent leur part de la charge.

**MAINTENANCE:** Gardez les prises dans l'assemblage de la tête exemptes de saleté et bien lubrifiées. Une usure excessive dans cette zone peut indiquer une surcharge ou une lubrification inadéquate.

Gardez l'extérieur de l'assemblage de la tête propre, en particulier les prises de barre élasticité. Ne laissez pas la saleté ou les pierres se loger entre la barre élasticité et la tête.

Gardez noeud peint pour prévenir la rouille et maintenir une bonne apparence. (Ne pas peindre sur les étiquettes)

### AU DÉBUT DE CHAQUE JOUR DE REMORQUAGE:

- Nettoyer la boule et la prise de coupleur et enrober légèrement la boule de graisse.
- Vérifier les supports de barre élasticité et les barres élasticité pour l'usure.
- Vérifiez que tous les boulons sont correctement serrés et noeud broche et clip sont solidement en place.
- Vérifiez que les branchements électriques sont en état de marche et que les chaînes de sécurité sont connectées.

### CONSEILS DE REMORQUAGE

**CONDUITE:** Les bonnes habitudes pour la conduite normale ont besoin d'accent supplémentaire lors du remorquage. Le poids supplémentaire affecte l'accélération et le freinage, et le temps supplémentaire devrait être autorisé pour passer, s'arrêter et changer de voie. Signalez bien avant une manœuvre pour faire connaître vos intentions aux autres conducteurs. Les bosses sévères et les routes mal vallonnées peuvent endommager votre véhicule de remorquage, noeud, et caravane, et devraient être négociés à une vitesse régulière lente. SI TOUTE PARTIE DE VOTRE SYSTÈME DE REMORQUAGE «SOUS-FOND» OU SI VOUS AVEZ UN SUSPECT DE DOMMAGE POURRAIT ÊTRE SURVENUE DE TOUTE AUTRE MANIÈRE, TIRER ET FAIRE UNE INSPECTION À L'ÉCRAN. CORRIGEZ TOUS LES PROBLÈMES AVANT DE REPRENDRE LE VOYAGE.

**VÉRIFIEZ VOTRE ÉQUIPEMENT:** Vérifiez périodiquement l'état de tout votre équipement de remorquage et gardez-le en parfait état.

**CARAVANE LOADING:** Une bonne charge de chargement est importante. Les articles lourds doivent être placés près du plancher près de l'essieu de caravane. La charge doit être équilibrée d'un côté à l'autre et solidement fixée pour éviter le déplacement. Le poids de la langue doit être d'environ 10-15 pour cent du poids brut caravane pour la plupart des remorques. Un pourcentage trop faible de poids de la langue peut souvent avoir tendance à. L'excès de poids sur la langue peut également conduire à balancer et endommager noeud et / ou remorquer véhicule.

**CONTRÔLES SWAY:** Un système de contrôle de l'écart peut aider à minimiser les effets des manœuvres soudaines, des rafales de vent et des secousses causées par d'autres véhicules. L'utilisation d'un contrôle d'écart est recommandée pour les remorques avec de grandes surfaces, comme les remorques de voyage.

**INFLATION DES PNEUS:** Sauf indication contraire du fabricant du véhicule de remorquage ou du fabricant de caravanes, les pneus doivent être gonflés à leur pression maximale recommandée.

**RECOMMANDATIONS DES FABRICANTS DE VÉHICULES DE REMORQUAGE ET DE CARAVANES:** Examinez les manuels des propriétaires pour votre véhicule de remorquage et votre caravane pour obtenir des recommandations, des capacités et des exigences précises.

**REMORQUES POLE TONGUE:** Si votre caravane a une langue droite (au lieu d'une langue A-cadre), il sera nécessaire d'utiliser un adaptateur de langue de poteau. Cet adaptateur se fixe à la langue de caravane, fournissant un endroit pour attacher les supports de prise vers le haut.

**PASSENGERS EN TRAILERS:** Les remorques ne doivent PAS être occupées pendant qu'elles sont remorquées, en toutes circonstances.

**FEUX DE CARAVANE, CLIGNOTANTS, ET FREINS ÉLECTRIQUES:** Accrochez toujours les feux de caravane, les clignotants, les freins électriques et la connexion d'interrupteur de rupture (si c'est le cas équipé) même pour de courts trajets.

**ENLEVER LE NOEUD LORSQU'IL N'EST PAS REMORQUANT:** Enlever le noeud du récepteur du véhicule de remorquage lorsqu'il n'est pas remorquant, pour éviter la contamination des prises de tête, réduire les risques de heurter le noeud sur les rampes d'accès ou d'autres objets, et minimiser les dommages en cas de collision arrière.



# Instrucciones de instalación

Números de pieza:

## Round Bar Pro

**49911**

**49912**

**49913**

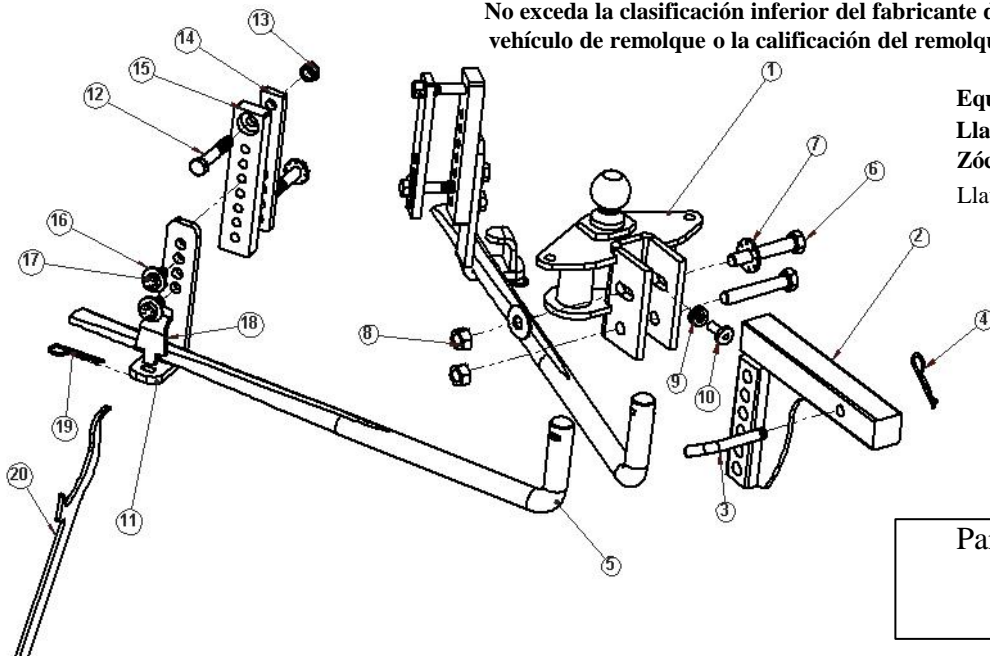


**DISTRIBUIDORES:** Por favor, dé estas instrucciones a su cliente.

Hitch Número de pieza 49911	Máximo Suma Remolque peso (LB)	Máximo Lengua peso (LB)	Hitch Número de pieza 49912	Máximo Suma Remolque peso (LB)	Máximo Lengua peso (LB)
Distribución de peso	<b>6,000</b>	<b>600</b>	Distribución de peso	<b>8,000</b>	<b>800</b>
Carga de peso Montaje de bolas	<b>5,000</b>	<b>500</b>	Carga de peso Montaje de bolas	<b>5,000</b>	<b>500</b>

Hitch Número de pieza 49913	Máximo Suma Remolque peso (LB)	Máximo Lengua peso (LB)
Distribución de peso	<b>11,500</b>	<b>1,150</b>
Carga de peso Montaje de bolas	<b>5,000</b>	<b>500</b>

No exceda la clasificación inferior del fabricante del vehículo de remolque o la calificación del remolque



**Equipo requerido:**

**Llaves:** 7/8", 3/4", 1-1/8"

**Zócalo:** 3/4", 1-1/8"

Llave de Torsión capaz de leer 260 ft.-lbs.

Para asistencia a la instalación o ayuda técnica  
Call 1-800-632-3290

①	Qty. (1)	MONTAJE DE BOLAS	⑪	Qty. (2)	BARRA DE RESORTE L SOPORTE
②	Qty. (1)	HITCH BAR	⑫	Qty. (4)	5/8-11X3.5" HEX vis
③	Qty. (1)	PIN DE EXTRACCIÓN DE LA BARRA DE ENGANCHE	⑬	Qty. (2)	5/8-11 CONTRATUERCA
④	Qty. (1)	CLIP DE RESORTE DEL PASADOR DE TIRADOR DE LA BARRA DE ENGANCHE	⑭	Qty. (2)	SOPORTE DE MARCO INTERIOR
⑤	Qty. (2)	BARRA DE ELASTICIDAD	⑮	Qty. (2)	SOPORTE DE MARCO EXTERIOR
⑥	Qty. (2)	3/4-10X4.5" HEX BOLT	⑯	Qty. (6)	5/8" ARANDELA DE BLOQUEO
⑦	Qty. (2)	3/4" LAVADORA SERRADA	⑰	Qty. (4)	5/8-11X1.5" HEX BOLT
⑧	Qty. (2)	3/4-10 CONTRATUERCA	⑱	Qty. (2)	CUBIERTA DE BARRA DE ELASTICIDAD
⑨	Qty. (7)	LAVADORA ESPACIADORA	⑲	Qty. (2)	CLIP DE CUBIERTA
⑩	Qty. (1)	RIVET DE AJUSTE DE MONTAJE DE BOLAS	⑳	Qty. (1)	MANGO DE ELEVACIÓN

# Instrucciones de instalación

Números de pieza:

Round Bar Pro



49911

49912

49913

## INDEX

1. SISTEMAS DE HITCH WD Y TRAILER	P. 13
2. CONFIGURACIÓN INICIAL	P. 14-15
3. CONEXIÓN INICIAL	P. 15-17
4. ADVERTENCIAS	P. 16-17
5. CONSEJOS DE REMOLQUE	P. 17
6. NOTAS	P. 18
7. GARANTÍA	P. 18



### **ADVERTENCIA:**

**¡No seguir todas las instrucciones puede resultar en la muerte o lesiones graves!**

## **SISTEMAS DE HITCH WD Y TRAILER**

1. Consulte la información proporcionada del consumidor para pesar la lengua del remolque cargada para determinar el tamaño adecuado del sistema.
2. Elija un sistema con clasificación de la lengua en o por encima del peso real de la lengua del remolque
3. La clasificación de la lengua del enganche del remolque debe cumplir o exceder el peso medido de la lengua del remolque. Los enganches OEM pueden no ser lo suficientemente rígido para el peso de la lengua y puede necesitar ser reemplazado (demasiada flexión y no llevará carga).
4. La clasificación de peso bruto total del remolque nunca debe exceder la clasificación bruta de remolque nominal del vehículo de remolque.
5. Este sistema funciona en marcos de remolque de 1,5" – 2" de ancho y 4" a 7" de alto, con acopladores de montaje superior o inferior.

## **CONFIGURACIÓN INICIAL**

**NOTA: Algunas combinaciones de camiones y remolques pueden ser propensas a balancearse, como los vehículos de remolque de base de rueda corta remolcando remolque largo. Asegúrese de que la clasificación de remolques del vehículo cumpla o supere gvWR remolque, asegure la carga adecuada del remolque para mantener entre el 10% y el 15% de peso de la lengua, actualice los neumáticos del vehículo de remolque a clasificaciones de carga más pesadas y cuando se requiera un control adicional de la vía de balanceo, #83660 puede añadir al RB Pro.**

1. Alinee el vehículo de remolque y el remolque en el pavimento nivelado, en posición recta, desacoplado.
2. Nivele el remolque y mida y registre la distancia desde el suelo hasta la parte superior del acoplador. (Fig.1).

**ADVERTENCIA: Las bolas elevadas suelen tener clasificaciones de carga reducidas. La clasificación de bolas DEBE ser igual o superior a la GVWR del remolque.** Note: Numbers in circles can be found in the chart on page (1)

3. Algunas instalaciones pueden requerir una barra de enganche más larga . Protectores de parachoques extendidos, "tapas" de camionetas o neumáticos de repuesto montados en la parte trasera puede limitar los ángulos de giro a menos que se utilice una barra más larga. Las barras de enganche individuales (2) están disponibles en varios tamaños.
4. Inserte la barra de enganche (2) en la caja de enganche e instale un pasador de tracción (3) y oro clip elasticidad (4) . La barra de enganche (2) se puede utilizar en posición hacia arriba o hacia abajo (véase la Fig. 2).

**NOTA:** La altura de la bola debe ser mayor que la altura del acoplador en aproximadamente 3/4 a 1" (medida en el paso 2) para compensar la sentadilla del vehículo. Para vehículos con muelles de aire, amortiguadores de aire o un sistema de nivelación automática, consulte el manual del propietario del vehículo. A menos que se especifique lo contrario, asegúrese de ajustar el soporte de bola y hacer el remolque configurado con el remolque y el vehículo cargados como lo serán al remolque.



# Instrucciones de instalación

Números de pieza:

## Round Bar Pro



49911  
49912  
49913

5. Con la bola unida al montaje de la bola, deslice la barra de enganche hacia arriba o hacia abajo (la barra de enganche se puede utilizar en la posición hacia arriba o hacia abajo) hasta que esté más cercana se obtiene la dimensión de la altura de la bola y los agujeros se alinean con la barra de enganche. Inserte primero el perno en el orificio inferior (cabezal de enganche de reposo.)
6. Se suministran remaches (10) y 7 arandelas espaciadoras (9) para obtener el ángulo descendente correcto de las barras. Para un ajuste inicial, pruebe 4 espaciador arandelas para acopladores montados en la parte superior y 3 arandelas espaciadoras para acopladores montados en la parte inferior. Inserte el remache (10) y dependiendo del ángulo o la pendiente de las barras que se debe obtener, utilizar la menor cantidad de arandelas (9) necesaria para establecer el ángulo correcto. (Véase la Fig. 1, 2 y 3 a continuación.)

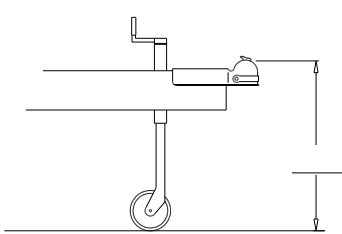


Fig. 1

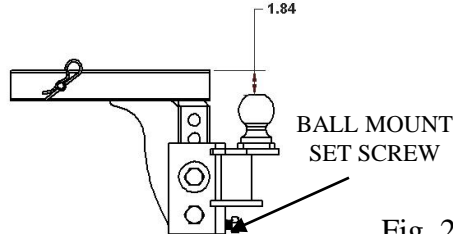
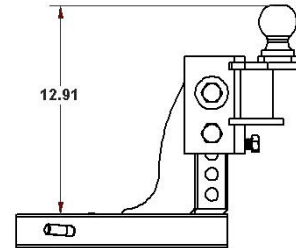


Fig. 2



7. El remache (10) y sus arandelas (9) se colocan en el orificio de 1"2" entre la "U" en el soporte de bola (1) para adquirir el ángulo deseado de la barra de elasticidad (5). Una vez determinado el ángulo de la barra de resorte (5), inserte el perno superior (6) con arandela serrada (7). Instale la segunda arandela serrada (7) y la tuerca (8) para fijar la unidad en la posición correcta. Antes de apretar los pernos, bloquee (apriete) el tornillo del juego de montaje de bolas. Apriete el perno superior de 3/4" (6) a 260 ft. lbs. par una vez que se establece el ángulo de la cabeza. Fije el perno inferior (6) a 260 ft. lbs. Después del 1<sup>er</sup> día de remolque, compruebe que el tornillo del conjunto de bolas para la estanqueidad.

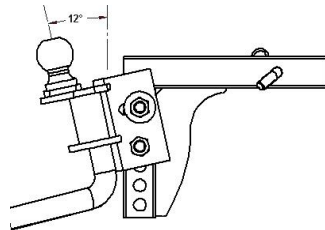
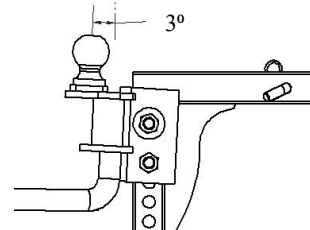


Fig. 3



### CADA LAVADORA BAJA EL BRACKET FINAL DE LA BARRA DE RESORTE APROX 1-1/2"

#### CONEXIÓN INICIAL

**NOTA:** El vehículo de remolque y el remolque deben cargarse y estar listos para viajar antes de la nivelación final.

1. Designe un punto de referencia en el pozo de la rueda delantera. Medir y registrar la distancia al pavimento.  
Rueda delantera bien al pavimento
2. Usando el conector de la lengua, el acoplador inferior sobre la bola y el pestillo del acoplador cerrado.
3. Aplique grasa a los extremos de montaje de bolas de las barras de elasticidad. Las barras de elasticidad se pueden insertar a ambos lados del montaje en bola (no hay 'derecha' o 'barra izquierda'). Para bloquear, insertar y bloquear la barra de elasticidad en el zócalo, sostenga la barra bajo el zócalo y empuje hacia arriba. El bar de elasticidad automáticamente ser bloqueado en su posición por el dispositivo de bloqueo de la barra de la elasticidad. (Compruebe que la barra esté bloqueada moviéndola hacia arriba y hacia abajo en el extremo del soporte de bastidor.)
4. Para quitar las barras de elasticidad, o de la barra de balanceo alrededor debajo del parachoques y caerá libre.

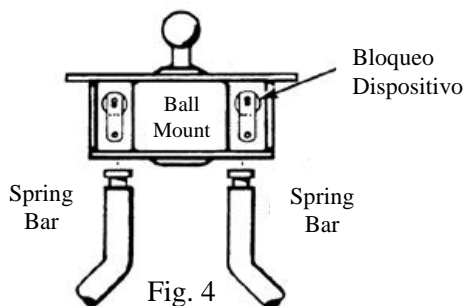


Fig. 4

## Round Bar Pro



49911

49912

49913

5. Posición interior (14) y soportes de bastidor exterior (15) 27,5" desde el centro del acoplador del remolque con perno (12) a través de los pernos superiores como se muestra. Tuerca ajustada (13) a la parte posterior del soporte del bastidor interior (14). Inserte el perno inferior (12) con la arandela serrada (16) a través del soporte del bastidor interior (14) tan cerca de la parte inferior del marco del remolque como sea posible, y el perno ajustado. Par ambos pernos a **130 ft-lbs**. Tenga en cuenta que los corchetes se pueden colocar hasta 3" hacia camión de objetos nominales a claros en el marco, pero esto puede interferir con el montaje de una barra de balanceo de fricción.
6. Orientar el soporte en L (11) de modo que la parte inferior del soporte esté a 3" por encima de la barra de elasticidad descargada. Fije el soporte L (11) al marco exterior soporte (15) con 2 pernos (17) y arandelas de bloqueo (16). Los pernos deben estar espaciados con 1 o 2 orificios abiertos entre ellos (no coloque ambos pernos junto directamente uno al lado del otro). Tenga en cuenta no utilizar el orificio roscado que el perno (12) ha utilizado. Pernos de par (17) a 80 ft-lbs.
7. Extienda el conector del remolque hasta que los extremos de la barra de la barra de la elasticidad estén por encima de los soportes en L. La adición de un bloque o soporte bajo el gato hará que la extensión y el aumento de la remolque más rápido y proteger el gato de pandeo. Gire las barras de elasticidad en los soportes L lo más cerca posible del bastidor del remolque. Asegure las barras de elasticidad cayendo en cubiertas (18). A continuación, fije las cubiertas (18) usando los pines (19) como se muestra a continuación.



### USO DEL MANGO DE ELEVACIÓN

1. Se recomienda utilizar el conector de remolque para subir y bajar el remolque para la aplicación y eliminación de barras de elasticidad. Si hay un problema, la manija de elevación (20) incluida se puede utilizar para colocar barras de elasticidad en los soportes en L o apagado de nuevo. Se debe tener precaución de que las barras de elasticidad no golpear a la gente o la propiedad. Párese alejado de la barra elevadora y las barras de la elasticidad.

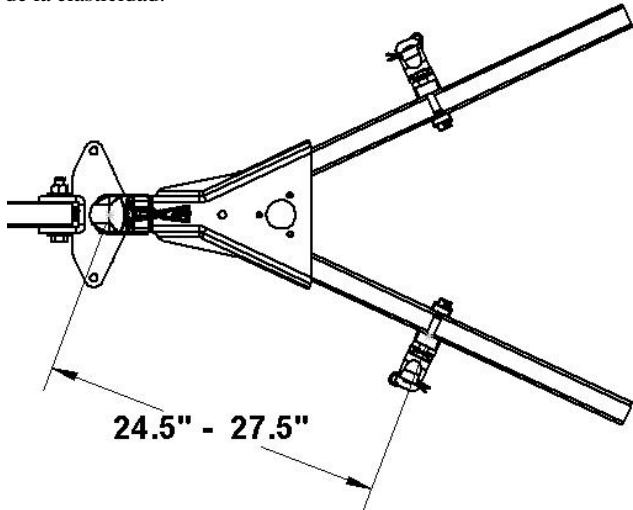


Fig. 5

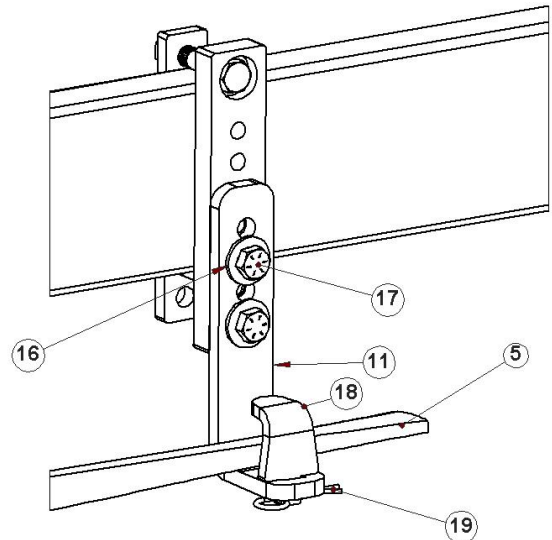


Fig. 6

8. Retirar el gato. Vuelva a medir el punto de referencia del pozo de la rueda delantera. La altura del pozo de la rueda delantera debe ser igual o inferior a la medida original. Si la altura del pozo de la rueda delantera es superior a la medida originalmente, aumente la carga en las barras de elasticidad elevando la posición del soporte L (11) o añadiendo arandelas espaciadoras (9). Si el pozo de la rueda delantera es inferior al medido originalmente, reduzca la carga en las barras de elasticidad bajando la posición del soporte L (11) o quitando las arandelas espaciadoras (9) y, a continuación, vuelva a comprobar la medición del pozo de la rueda. Si la altura del pozo de la rueda original no es alcanzable, se prefiere que la altura del pozo de la rueda sea menor después de que se carguen las barras de elasticidad. Puede ser necesario ajustar la altura del soporte de bolas en la barra de enganche al ajustar el número de arandelas espaciadoras.

### LUBRICACIÓN

1. **MANTENIMIENTO:** Utilice lubricación pesada, como grasa de rodamiento de rueda según fibra en la bola de enganche y en las barras. Recomendado todos los días. Mantenga el enganche pintado para evitar el óxido y comprobar la estanqueidad de los pernos con regularidad. Limpie la grasa vieja, no deje que se endurezca dentro del soporte de bola.

### FRENO DE SOBRETENSIÓN

1. Algunos frenos de sobretensión no funcionarán con enganches de distribución de peso. **COMPRUEBE EL FUNCIONAMIENTO DEL FRENO DE SOBRETENSIÓN Y/O EL FRENO DE SOBRETENSIÓN INSTRUCCIONES PARA CUALQUIER REQUISITO ESPECIAL CON RESPECTO A LOS ENGANCHES DE DISTRIBUCIÓN DE PESO.** No utilice el control de balanceo con frenos de sobretensión.

# Instrucciones de instalación

## Round Bar Pro



Números de pieza:

49911

49912

49913

**ADVERTENCIAS:** LA ALTURA DE LA BOLA CARGADA NO DEBE SER MAYOR QUE LA ALTURA DE LA BOLA NO ACOPLADA. La sobrecarga de la rueda delantera y la pérdida de tracción de la rueda trasera pueden resultar, y pueden conducir a un manejo inestable, una capacidad de frenado reducida y una tendencia a "cuchillo" al girar y frenar al mismo tiempo. SI LA ALTURA DE LA BOLA CARGADA ES MAYOR QUE LA ALTURA DESACOPLADA, reduzca la toma en las barras y vuelva a medir hasta que se obtenga la altura adecuada.

**NO REMOLQUE MÚLTIPLES ACOPLADOS:** No intente remolcar ningún tipo de remolque detrás de otro remolque. Remolcar múltiples remolques puede causar inestabilidad grave, pérdida de control y / o falla estructural, y puede resultar en accidentes de vehículos, daños a la propiedad y lesiones personales. Remolcar múltiples remolques es ilegal en muchas jurisdicciones.

**VEHÍCULOS DE TRACCIÓN DELANTERA:** NO INTENTE HOOK-UP O TOW CON RUEDAS TRASERAS DE AIRE DE REMOLDEO DE VEHICULO ELIMINADO. Los daños estructurales graves en el vehículo de remolque, enganche y remolque pueden. Una combinación de vehículo de remolque/remolque no se puede controlar adecuadamente a menos que las ruedas traseras del vehículo de remolque lleven su parte de la carga.

**MANTENIMIENTO:** Mantenga las tomas en el conjunto de la cabeza libres de suciedad y bien lubricadas. El desgaste excesivo en esta zona puede indicar sobrecarga o lubricación inadecuada.

Mantenga limpio el exterior del conjunto de la cabeza, especialmente los zócalos de la barra de la elasticidad. No permita que la suciedad o las piedras se alojen entre la barra y la cabeza.

Mantenga el enganche pintado para evitar el óxido y mantener una buena apariencia. (No pinte sobre etiquetas)

### AL PRINCIPIO DE CADA DÍA DE REMOLQUE:

- Limpie la bola y el zócalo del acoplador y cubra ligeramente la bola con grasa.
- Compruebe el desgaste de los soportes de las barras y las barras de la barra de la elasticidad.
- Compruebe que todos los pernos estén bien apretados y que el pasador y el clip de enganche estén firmemente en su lugar.
- Compruebe que las conexiones eléctricas están en funcionamiento y que las cadenas de seguridad están conectadas.

### CONSEJOS DE REMOLQUE

**CONDUCCIÓN:** Los buenos hábitos para la conducción normal necesitan un énfasis adicional al remolcar. El peso adicional afecta a la aceleración y el frenado, y se debe permitir tiempo adicional para pasar, detener y cambiar de carril. Señale con mucha antelación a una maniobra para que otros conductores sepan sus intenciones. Los baches graves y las carreteras muy onduladas pueden dañar su vehículo de remolque, enganche y remolque, y deben negociarse a una velocidad lenta y constante. SI CUALQUIER PARTE DE SU SISTEMA DE TOWING "BOTTOMS" FUERA, O SI USTED SUSPECT DAÑOS PUEDE HABER ODADO DE CUALQUIER OTRA MANERA, PULL OVER Y HACER UNA INSPECCION THOROUGH. CORRIJA CUALQUIER PROBLEMA ANTES DE REANUDAR EL VIAJE.

**COMPRUEBE SU EQUIPO:** Compruebe periódicamente el estado de todo su equipo de remolque y manténgalo en las mejores condiciones.

**CARGA DE REMOLQUES:** La carga adecuada del remolque es importante. Los objetos pesados deben colocarse cerca del suelo cerca del eje del remolque. La carga debe ser equilibrada de lado a lado y firmemente asegurada para evitar. El peso de la lengua debe ser de aproximadamente 10-15 por ciento del peso bruto del remolque para la mayoría de los remolques. Un porcentaje demasiado bajo de peso de la lengua a menudo producirá una tendencia a balancearse. El exceso de peso en la lengua también puede conducir a balanceo y daño enganche y / o vehículo de remolque.

**CONTROLES SWAY:** Un sistema de control de balanceo puede ayudar a minimizar los efectos de las maniobras repentinas, las ráfagas de viento y los golpes causados por otros vehículos. Se recomienda el uso de un control de balanceo para remolques con grandes superficies, como remolques de viaje.

**INFLACIÓN DE NEUMÁTICOS:** A menos que el fabricante del vehículo de remolque o remolque especifique lo contrario, los neumáticos deben inflarse a su presión máxima recomendada.

**RECOMENDACIONES DE LOS FABRICANTES DE VEHICULOS Y TRAILERS:** Revise los manuales de los propietarios de su vehículo de remolque y remolque para obtener recomendaciones, capacidades y requisitos específicos.

**TRÁILERS de POLE TONGUE:** Si su remolque tiene una lengua recta (en lugar de una lengua de marco A), será necesario utilizar un adaptador de lengua de poste. Este adaptador se fija a la lengua del remolque, proporcionando un lugar para fijar los soportes de ajuste.

**PASAJEROS EN TRAILERS:** Los remolques NO deben ser ocupados mientras son retorces, bajo ninguna circunstancia.

**LUCES DE TRAILER, SEÑALES DE VUELTA Y BRAKES ELECTRICOS:** Conecte siempre las luces del remolque, las señales de giro, los frenos eléctricos y la conexión del interruptor de separación (si está equipado) incluso para viajes cortos.

**ELIMINAR HITCH CUANDO NO TOWING:** Retire el enganche del receptor del vehículo de remolque cuando no remolque, para evitar la contaminación de las tomas de la cabeza, reducir la posibilidad de enganche en las rampas de entrada u otros objetos, y minimizar el daño en caso de una colisión trasera.

