



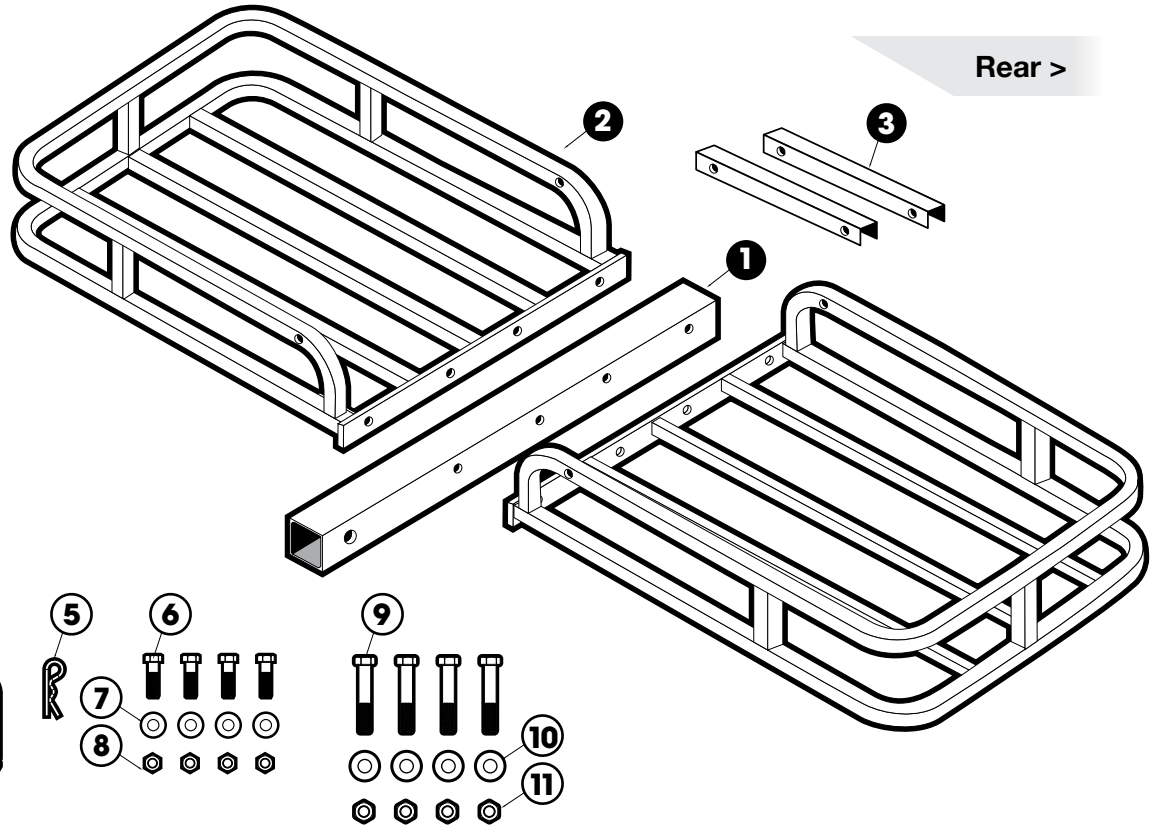
Since 1952

HITCH MOUNT CARGO CARRIER

MODEL #48475

Includes:

No.	Description	Qty.
1	Post	1
2	Basket	2
3	Cross Brace	2
4	Hitch Pin	1
5	Spring Clip	1
6	M8X35 Bolt	4
7	M8 Washer	4
8	M8 Lock Nut	4
9	M10X75 Bolt	4
10	M10 Washer	4
11	M10 Lock Nut	4



WARNING: READ THE FOLLOWING INSTRUCTIONS CAREFULLY BEFORE ATTEMPTING INSTALLATION.

Installation Instructions



WARNING

- The maximum weight capacity is 500 pounds
- Do Not Exceed vehicle or hitch manufacturer's maximum tongue weight rating
- For use with Class III or better 2" hitch receiver only
- Distribute loads evenly. Do not load heavy objects toward the edges of the rack
- Do not load objects that overhang the rack's side rails
- Not for transport of people, animals, or flammable liquids
- Do not load items in close proximity to the exhaust pipe. If exhaust pipe extends toward the rack an angled or curved exhaust tip must be used to redirect exhaust away from the cargo carrier
- Securely fasten cargo to the carrier
- Carrier should not be used if carrier is wider than the vehicle
- If carrier or cargo block license plate the license plate should be relocated to a more visible location
- Do not block rear tail lights with the carrier or cargo

CAUTION: CAMCO CANNOT BE HELD RESPONSIBLE FOR ANY DAMAGES DUE TO IMPROPER USE OR INSTALLATION OF THIS PRODUCT. CAMCO CANNOT BE HELD ACCOUNTABLE FOR THE STRUCTURAL INTEGRITY OF ANY FRAME.

Tools for Installation

- (2) 13mm wrench
- (2) 17mm wrench
- Appropriate safety protection (gloves, eye protection, etc.)

OR

- (2) Adjustable wrenches, 0 to 30mm

NOTICE

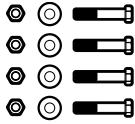
If product components are missing or damaged do not return to dealer, contact the manufacturer.
1-800-334-2004

Instructions

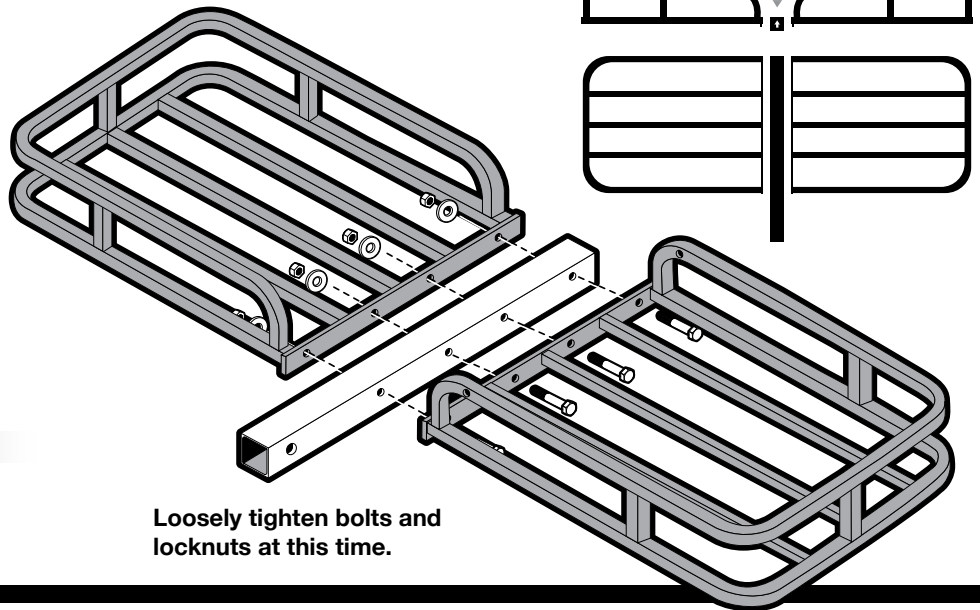
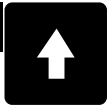
1 2

HARDWARE

9 10 11



Align Baskets and Post

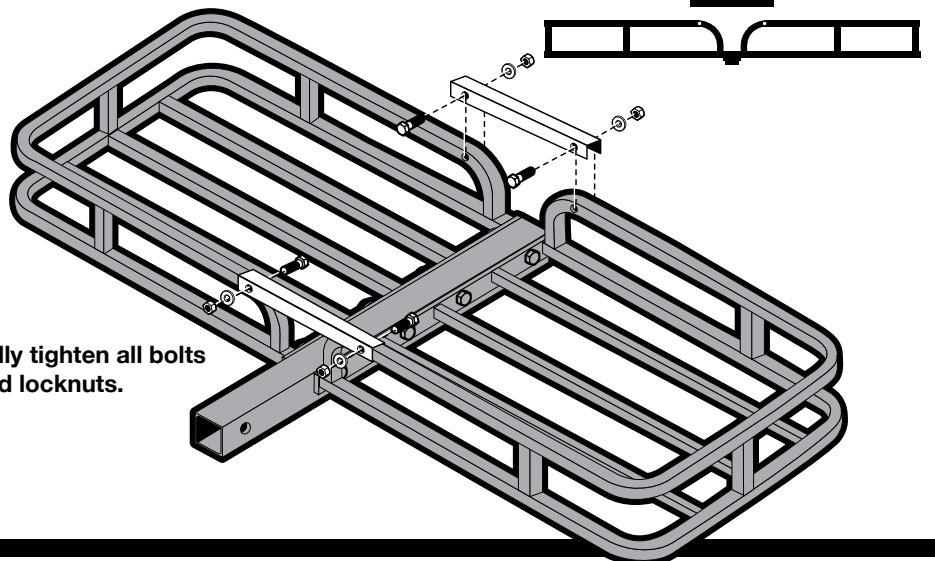
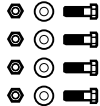
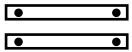


Loosely tighten bolts and locknuts at this time.

3

HARDWARE

6 7 8

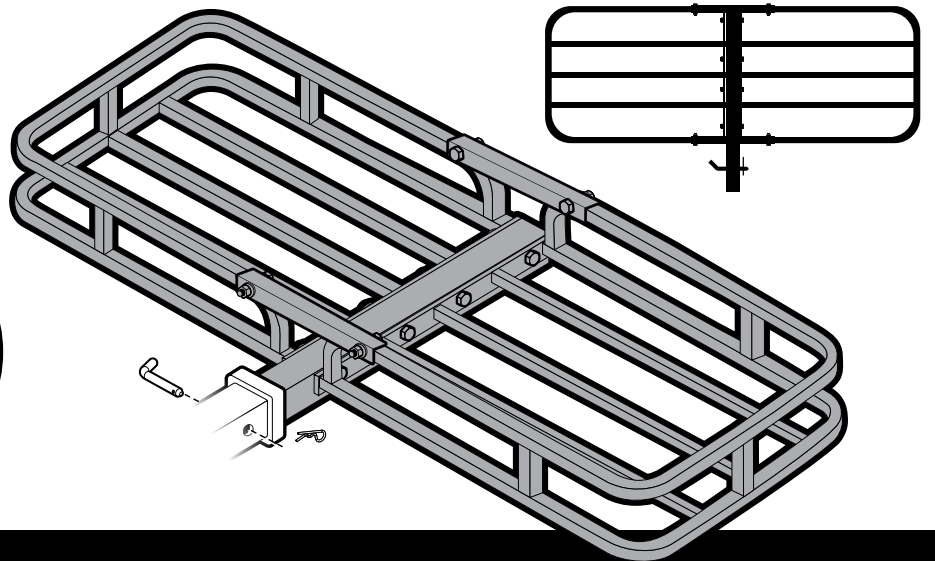
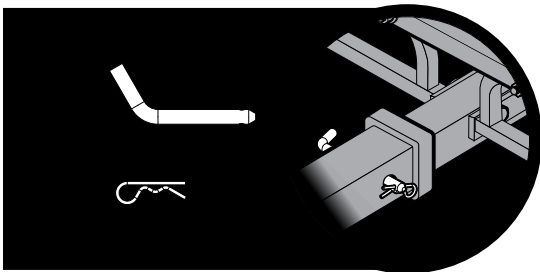


Fully tighten all bolts and locknuts.

HARDWARE

4 5

Secure with Hitch Pin and Spring Clip



LIMITED WARRANTY

Camco warrants this product to be free from defects in material and workmanship under normal use and service conditions for 12 months from the date of first purchase. Camco's liability is limited solely to the replacement of any defective product returned to us. To the extent allowable by law, Camco makes no other warranty, either expressed or implied, nor assumes any liability for incidental or consequential damages resulting from the use of this product or for breach of warranty of merchantability or fitness for a particular purpose. Submit warranty claims to Camco Manufacturing, 121 Landmark Drive, Greensboro, NC 27409.

CAMCO MFG., INC.

121 Landmark Drive / Greensboro, NC 27409

1-800-334-2004 www.camco.net

