

## INSTALLATION INSTRUCTIONS FRONT BAR PART #4077 2006 GM HUMMER H3 BRUSH GUARD

<u>QTY.</u>	<u>CONTENT</u>
1	ONE PIECE GRILL/BRUSH GUARD
2	INSULATOR GASKETS

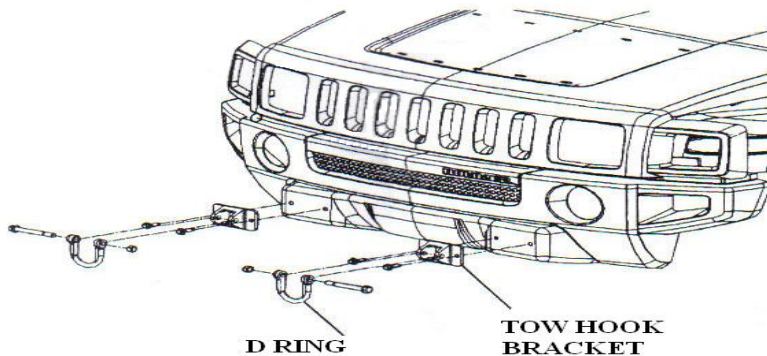
**STEP 1** REMOVE TOW HOOKS (FIGURE 1). USING 24MM SOCKET AND WRENCH, REMOVE BOLTS THROUGH "D" RING. USING 18MM SOCKET AND WRENCH, REMOVE BOLTS FASTENING TOW HOOK BRACKET.

**STEP 2** LOCATE FUR TOW HOOK BRACKET HOLES. INSTALL INSULATING GASKET, BRUSH GUARD, AND TOW HOOK BRACKETS USING EXISTING BOLTS. TIGHTEN TO 85Nm +/-15Nm (63 FT. LBS +/-11FT. LBS). SEE FIGURE 2.

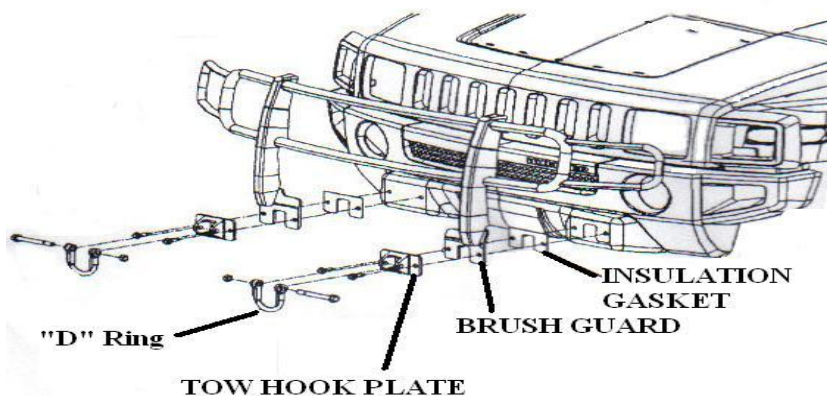
**STEP 3** INSTALL "D" RING USING EXISTING NUTS AND BOLTS. TIGHTEN TO 15NM (11FT LBS).

**PLEASE ENSURE TO FOLLOW TORQUE VALUES. SPECIFIED FAILURE TO DO SO MAY RESULT IN DAMAGE TO THE PART AND/OR VEHICLE.**

**FIGURE 1**



**FIGURE 2**



**FINISH PROTECTION-** ARIES PRODUCTS HAVE A HIGH FINISH THAT MUST BE MAINTAINED SUCH AS ANY OTHER HIGH FINISH PRODUCT ON THE VEHICLE. PROTECT THE FINISH WITH A NON-ABRASIVE AUTOMOTIVE WAX. THE USE OF SOAP, POLISH, OR WAX THAT CONTAINS ABRASIVES IS DETRIMENTAL, AS THE COMPOUNDS SCRATCH THE FINISH AND OPEN IT TO CORROSION.

**DISCLAIMER-** BUYER ASSUMES ALL RISK AND LIABILITY WHATSOEVER FROM THE INSTALLATION AND USE OF ARIES PRODUCTS. ARIES PRODUCTS ARE SOLD AS DECORATIVE ACCESSORIES AND SHOULD NOT BE RELIED UPON AS PROTECTION FOR THE VEHICLE OR OCCUPANTS IN THE EVENT OF A COLLISION OR ROLL OVER. ARIES AUTOMOTIVE ASSUMES NO LIABILITY FOR INJURY, LOSS, INCIDENTAL OR CONSEQUENTIAL DAMAGES IN THE EVENT OF A COLLISION OR ROLLOVER.